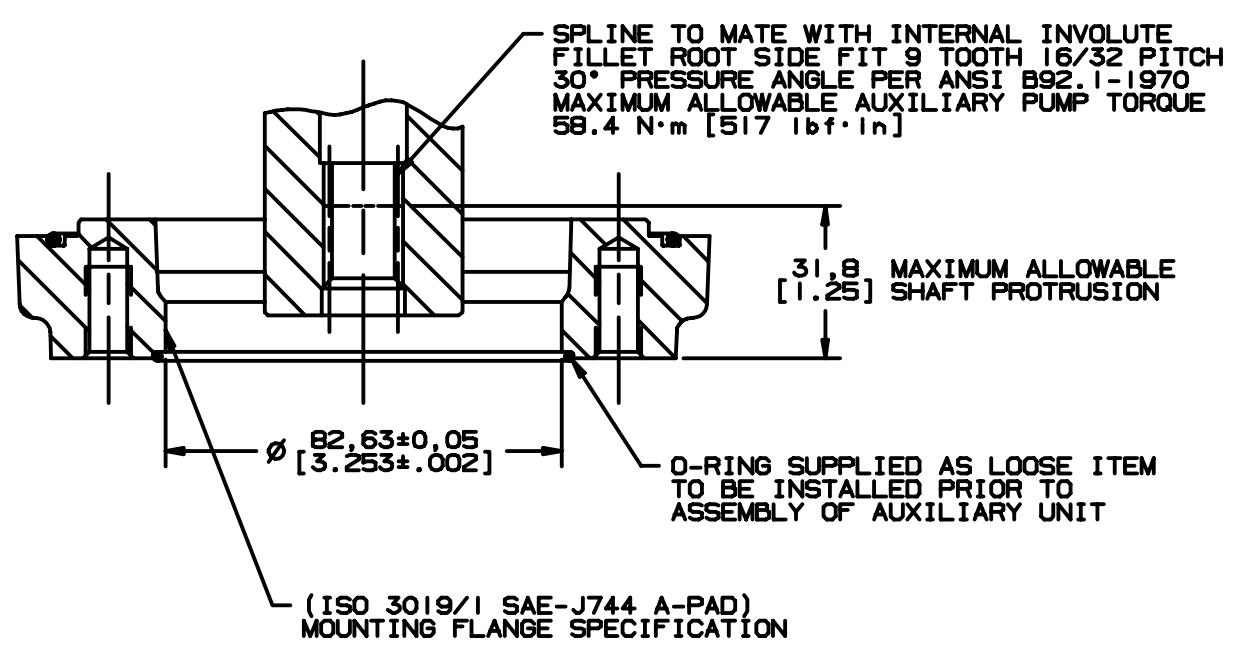
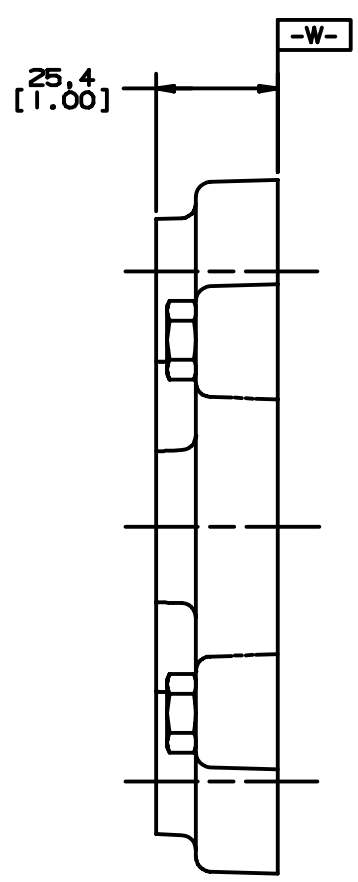
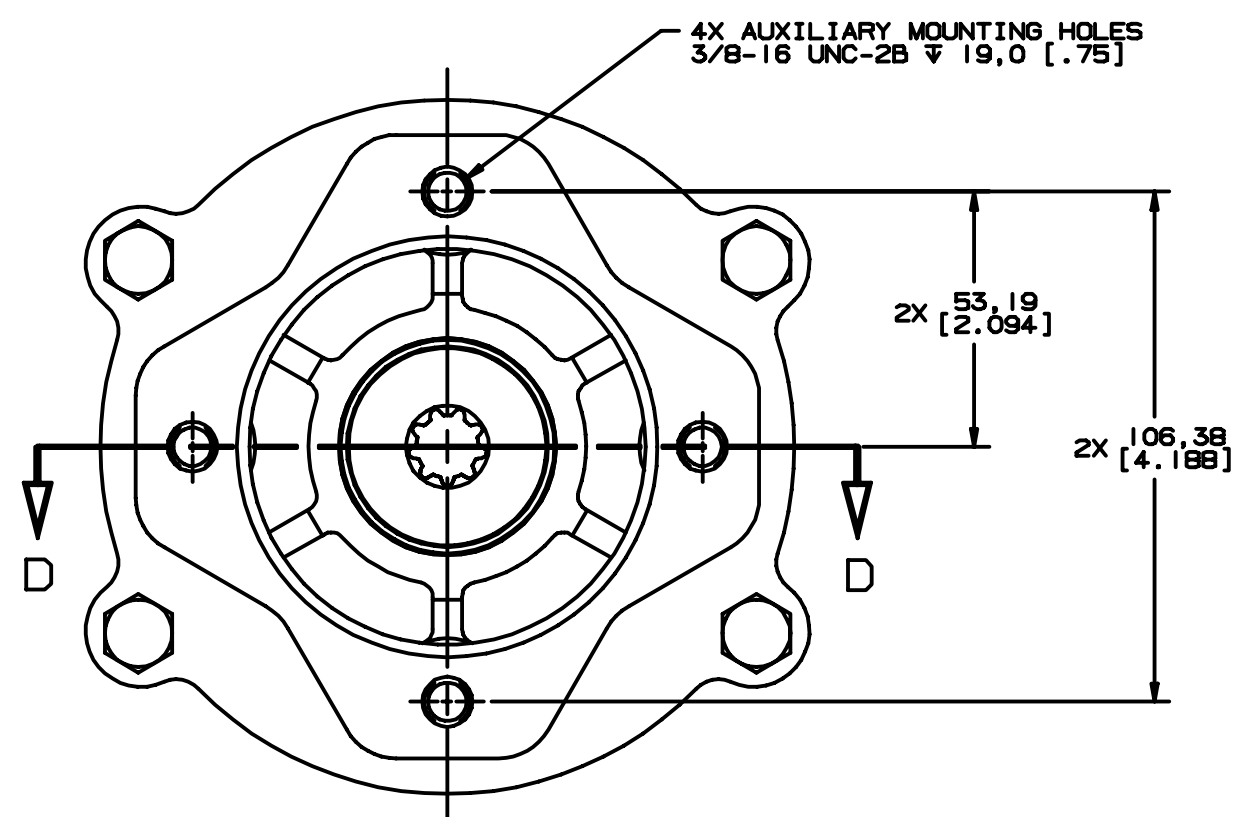


REV	DESCRIPTION	BY	CHK	DATE	ECN
A	RELEASE FOR SAMPLES AND ESTIMATE	RLL		5-9-95	X7920
B	ENGINEERING RELEASE -I)REVISED PICTORIALY	JJV		4-15-96	28055



SECTION D-D



NOTE  
1 AUXILIARY PAD DOES NOT HAVE A SHAFT SEAL.  
SPLINES ARE LUBRICATED. AUXILIARY PUMP MUST  
WITHSTAND A MAX CASE PRESSURE OF 200 lbf/in<sup>2</sup>

UNLESS OTHERWISE SPECIFIED ALL DIMENSIONS ARE IN INCHES MILLIMETERS (INCHES)	DRAWING BASED ON ANSI Y14.5M-1982 NOTICE TO PERSONS RECEIVING THIS DRAWING AND / OR TECHNICAL INFORMATION Eaton Corporation claims proprietary rights in the information disclosed herein. This document is issued in confidence and is not to be reproduced or used to manufacture anything shown herein without the written permission of the Eaton Corporation.	
TOLERANCES .XX A --- .XXX A --- < A ---	MATERIAL/HWAT TREAT RLL 5-31-95 MFW 12-2-95 MFW 12-2-95	FILE A-PAD ADAPTER INSTALLATION
UNPECIFIED RADEI ARE UNPECIFIED DRAFT ANGLES ARE DRAWING FORMALLY CHECKED BY:	THIRD ANGLE PROJECTION DO NOT SCALE	MICROFILMS A-995-001 SCALE 1/1 SHEET 1 OF 1