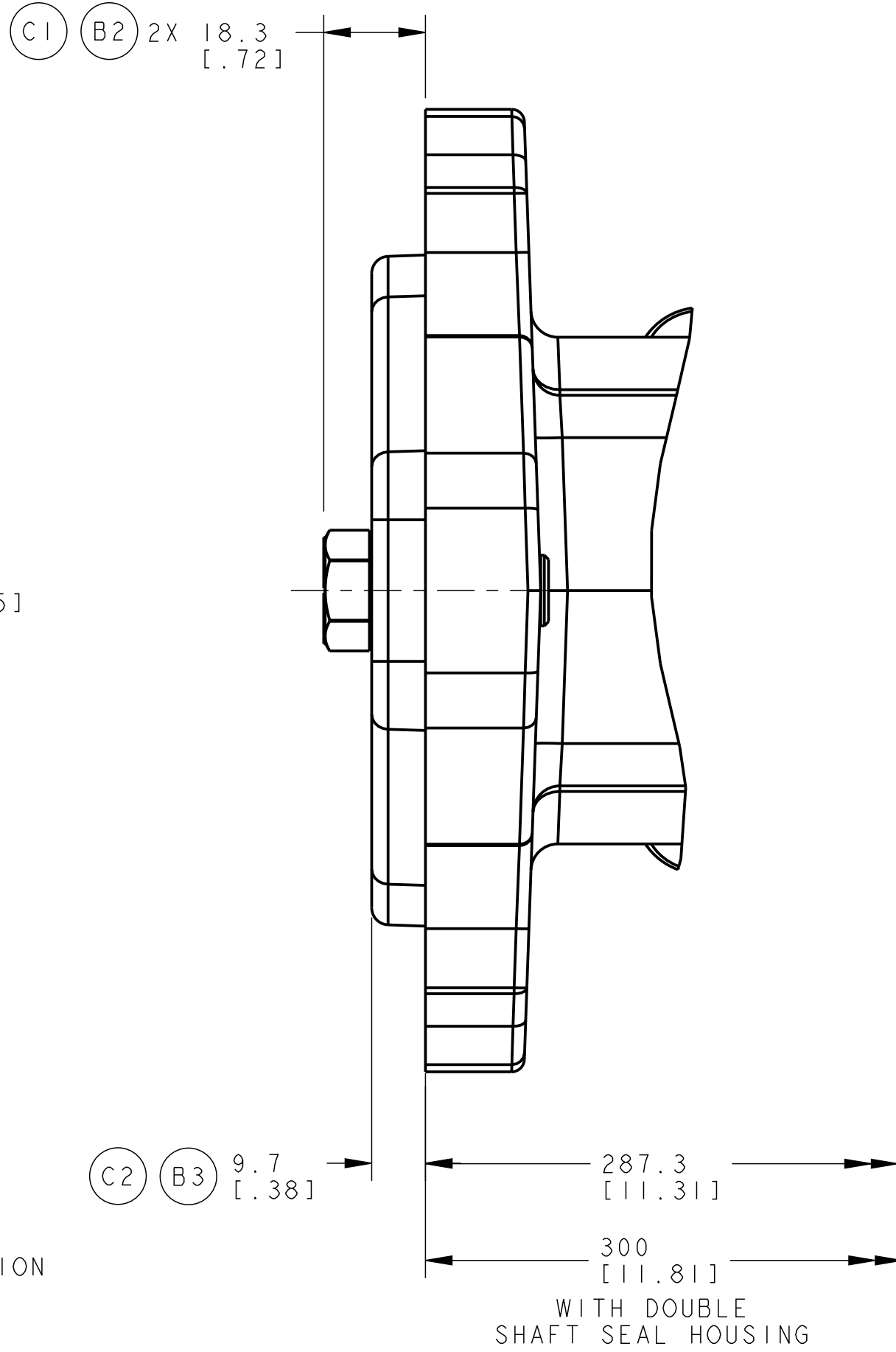
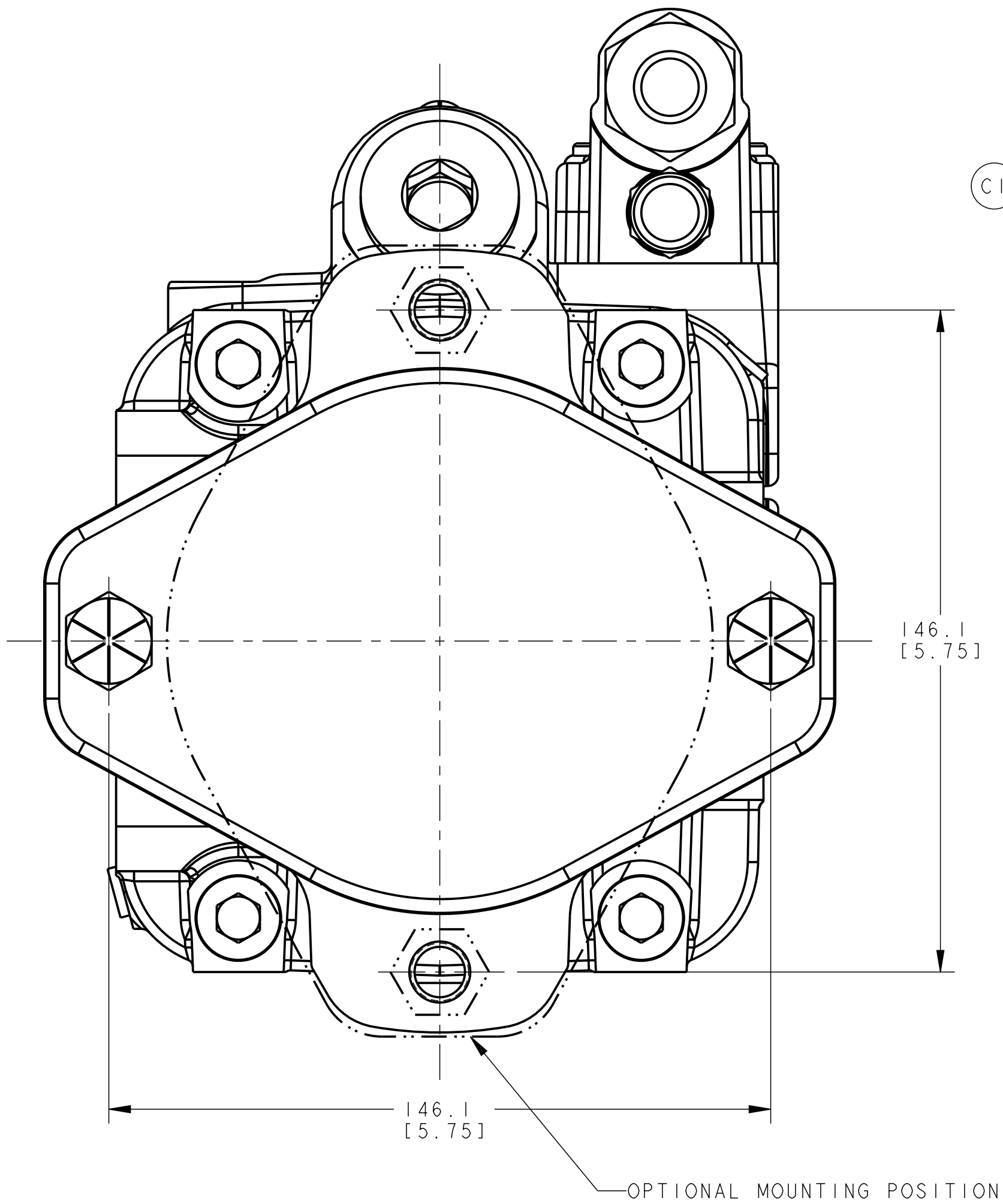


REV	DESCRIPTION	BY	CHK	DATE	ECN / MPS
A	ENGINEERING RELEASE	JMM	JMM	11-2-04	M63190
B	-1) REVISED TO NEW COVER PLATE -2)(3D) WAS 18.3 [.72] -3)(3B) WAS 9.7 [.38]	JMM	JMM	9-9-05	M65453
C	-1)(3D) WAS 16.5 [.65] -2)(3B) WAS 7.9 [.31]	AA	MGM	02-26-18	M107043



REVIEWED FOR CLASSIFICATION PER ESP-042

-
DISTRIBUTION CODE(S)

UNLESS OTHERWISE SPECIFIED ALL DIMENSIONS ARE IN INCHES MILLIMETERS (INCHES)	DRAWING BASED ON ANSI Y14.5M-1982	
	THE REPRODUCTION, DISTRIBUTION, AND UTILIZATION OF THIS DOCUMENT, AS WELL AS THE COMMUNICATION OF ITS CONTENTS TO OTHERS WITHOUT EXPLICIT AUTHORIZATION IS PROHIBITED. OFFENDERS WILL BE HELD LIABLE FOR THE PAYMENT OF DAMAGES. ALL RIGHTS RESERVED IN THE EVENT OF THE GRANT OF A PATENT, UTILITY MODEL, OR DESIGN. (PER ISO 16016)	
TOLERANCES .X ± ---- .XX ± REF .XXX ± ONLY ∠ ± ----	DRAWN JMM BY/DATE 11-9-04	MATERIAL/HEAT TREAT
UNSPECIFIED RADII ARE: ----	CHECKED JMM BY/DATE 11-22-04	TITLE
UNSPECIFIED DRAFT ANGLES ARE: ----	ENGRG RNA BY/DATE 11-22-04	B COVER PLATE INSTALLATION
C SIZE	THIRD ANGLE PROJECTION DO NOT SCALE	NUMBER A-2255-002
		SCALE 1/1 SHEET 1 OF 1

