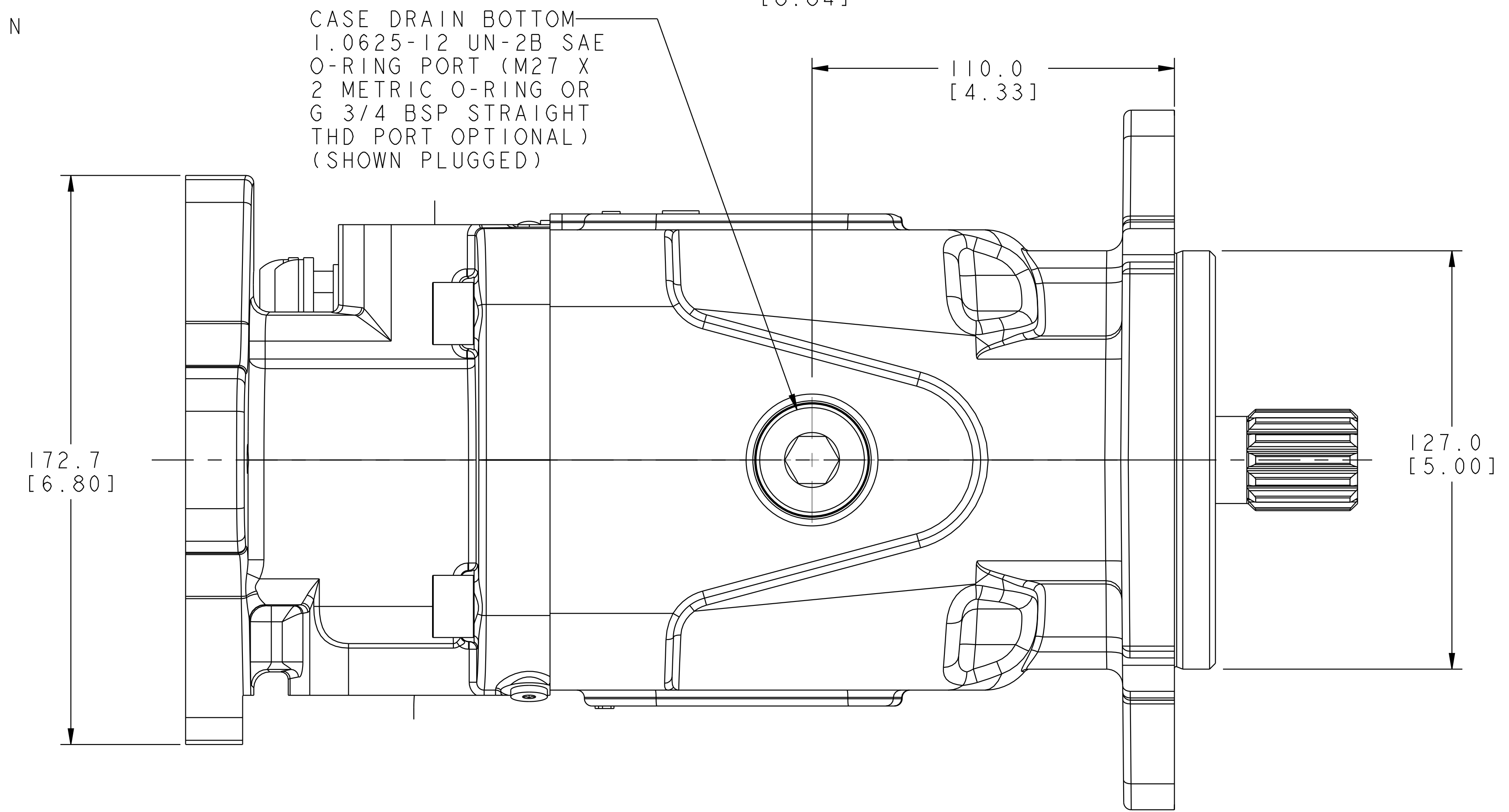
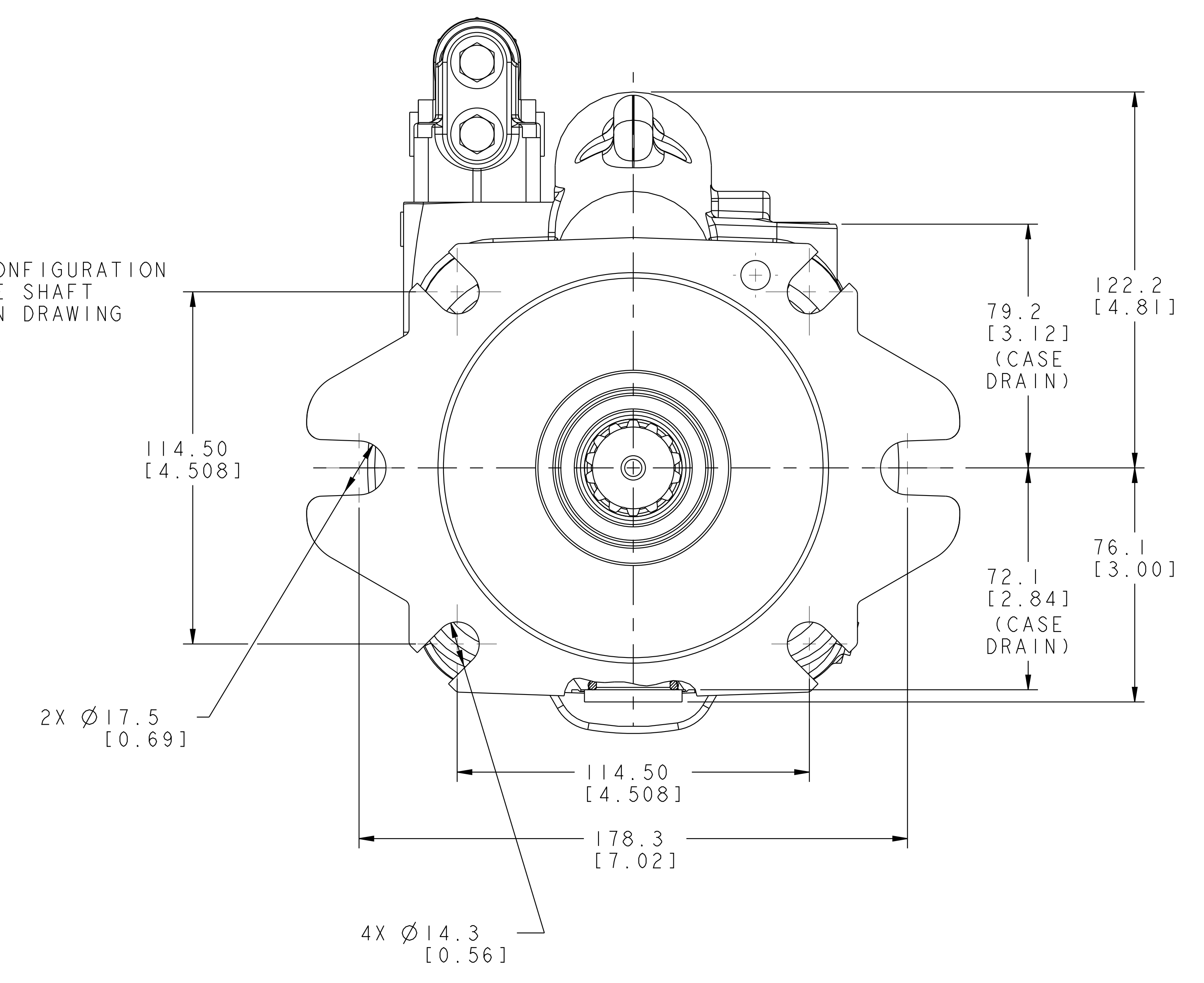
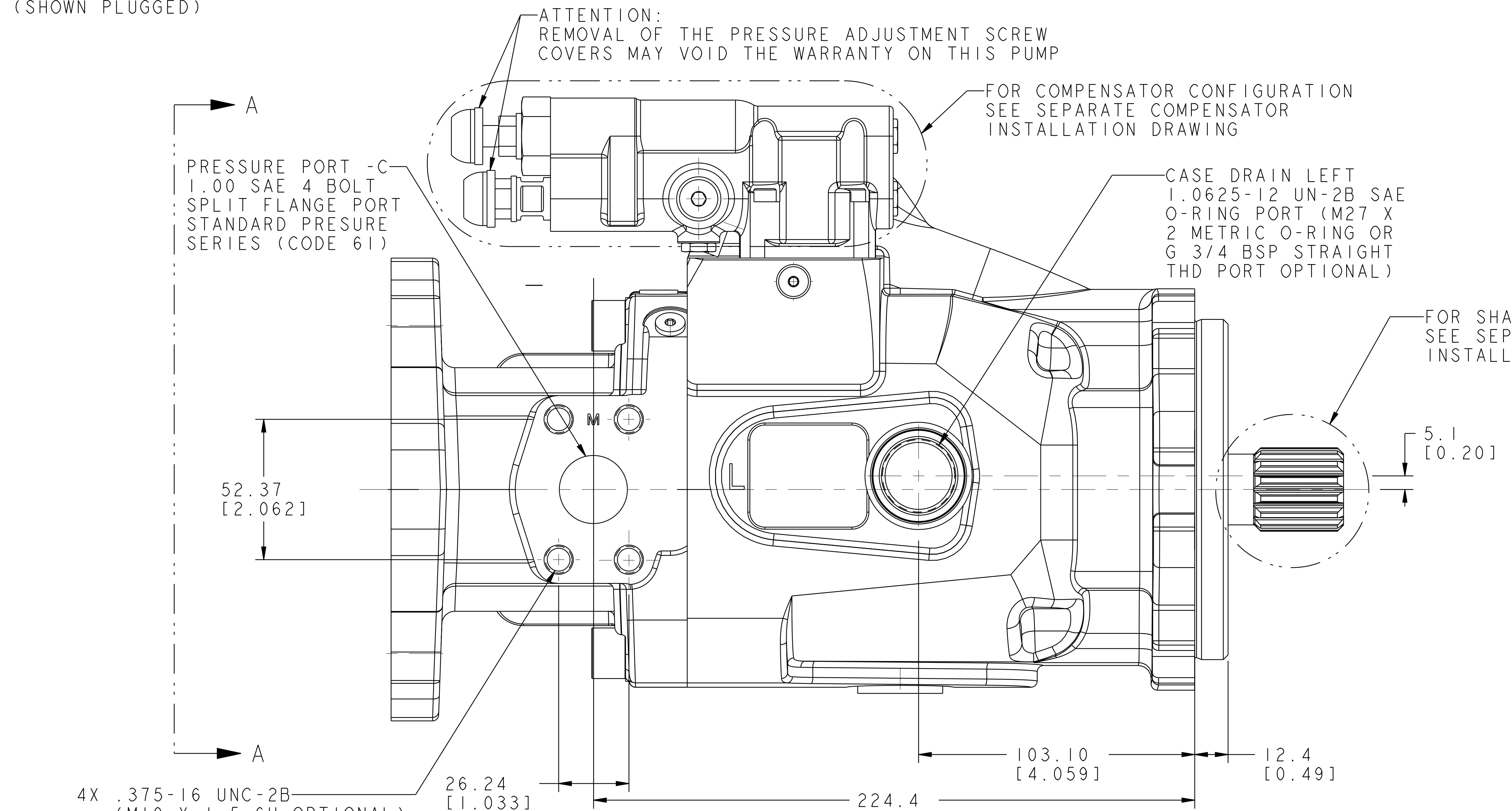
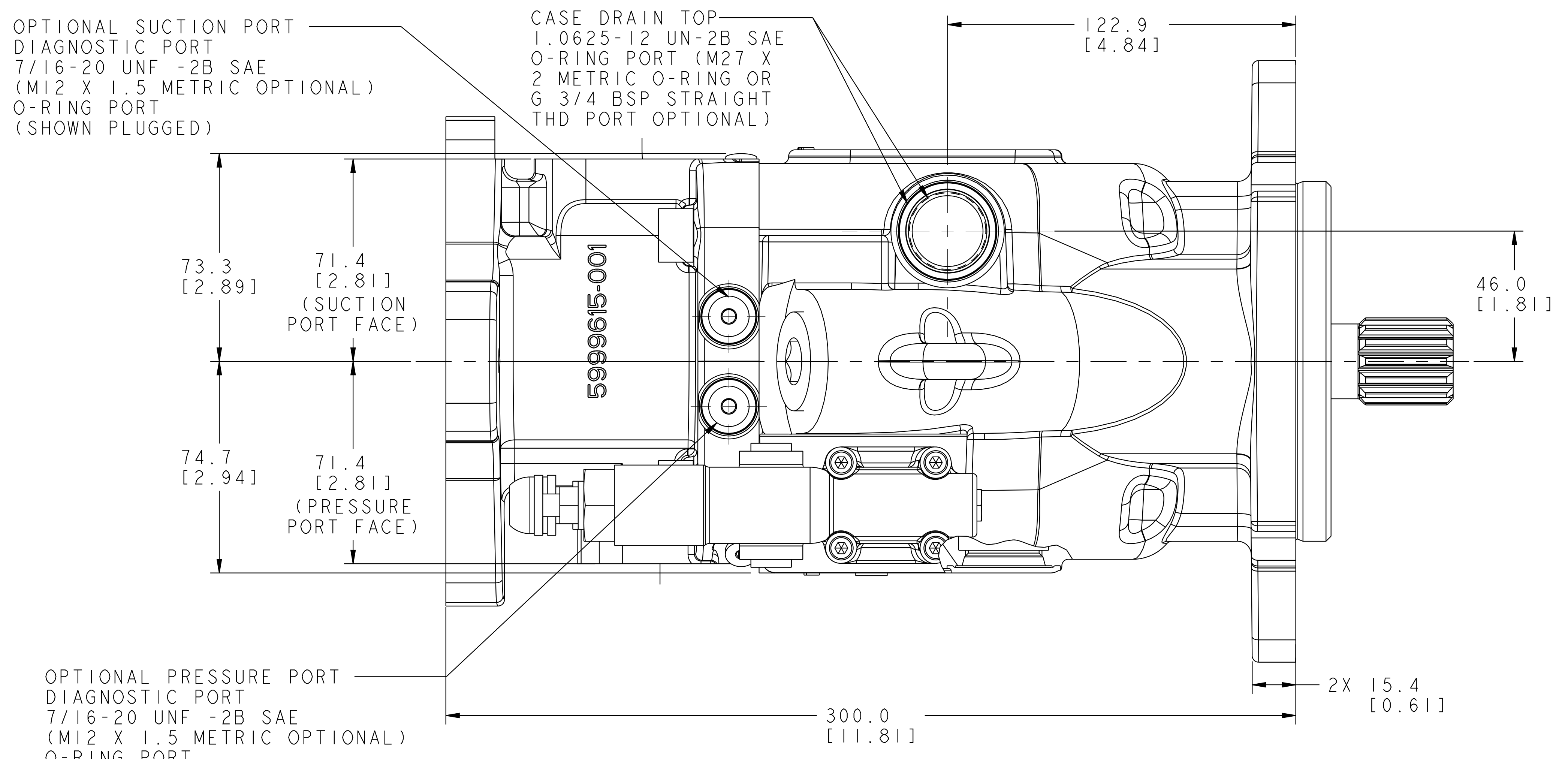


REV	DESCRIPTION	BY	CHK	DATE	ECN / MPS
A	ENGINEERING RELEASE	NWS	BMS	5-28-08	0018094
B	(7C) CASE DRAIN PORT NOTE WAS 7/16-20 UNF-2B SAE	SSC	SDY	2-03-09	0014961
C	(8H)(8F) ADDED OPTIONAL DIAGNOSTIC PORTS	SPV	SSC	02/18/13	M88296

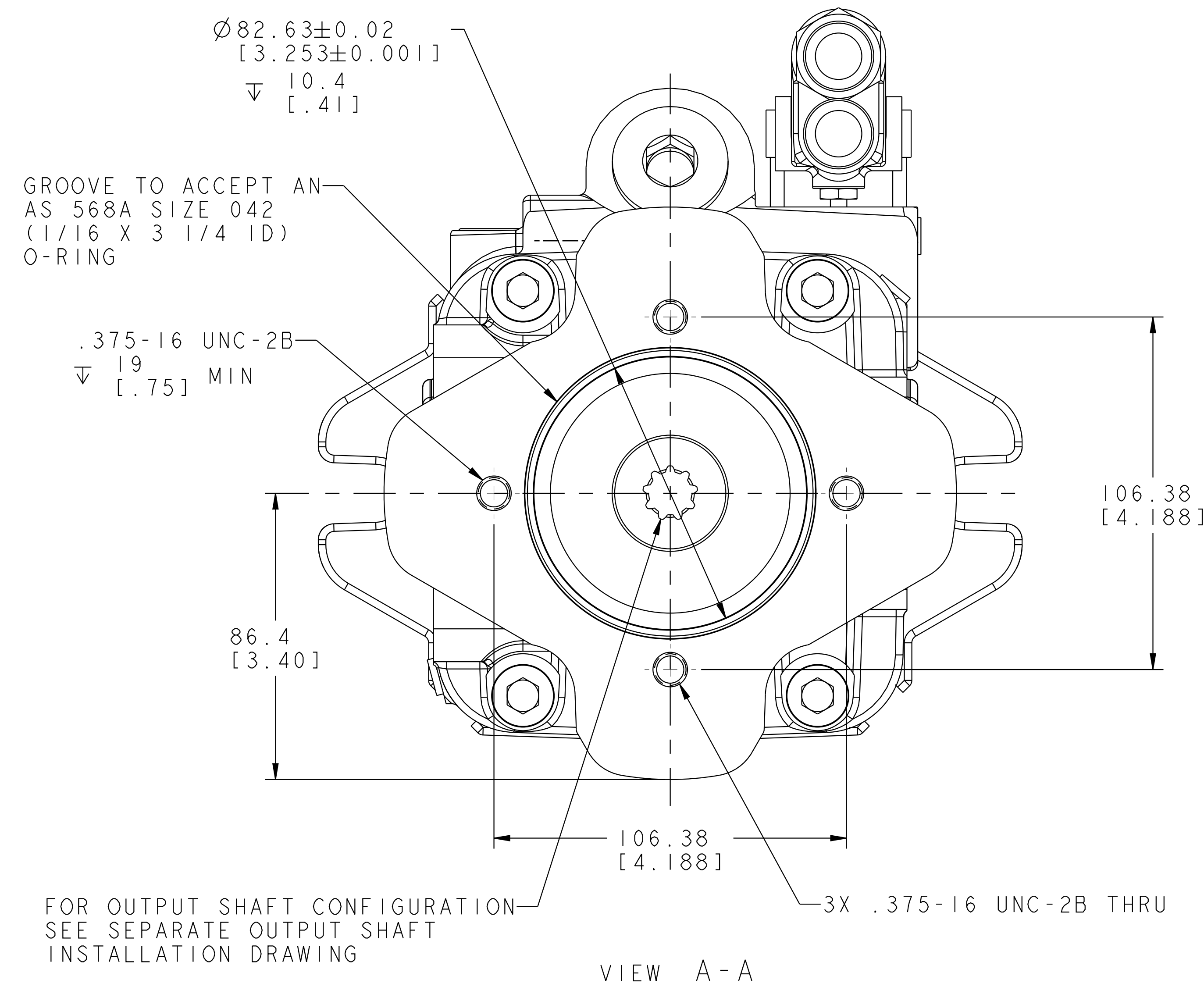
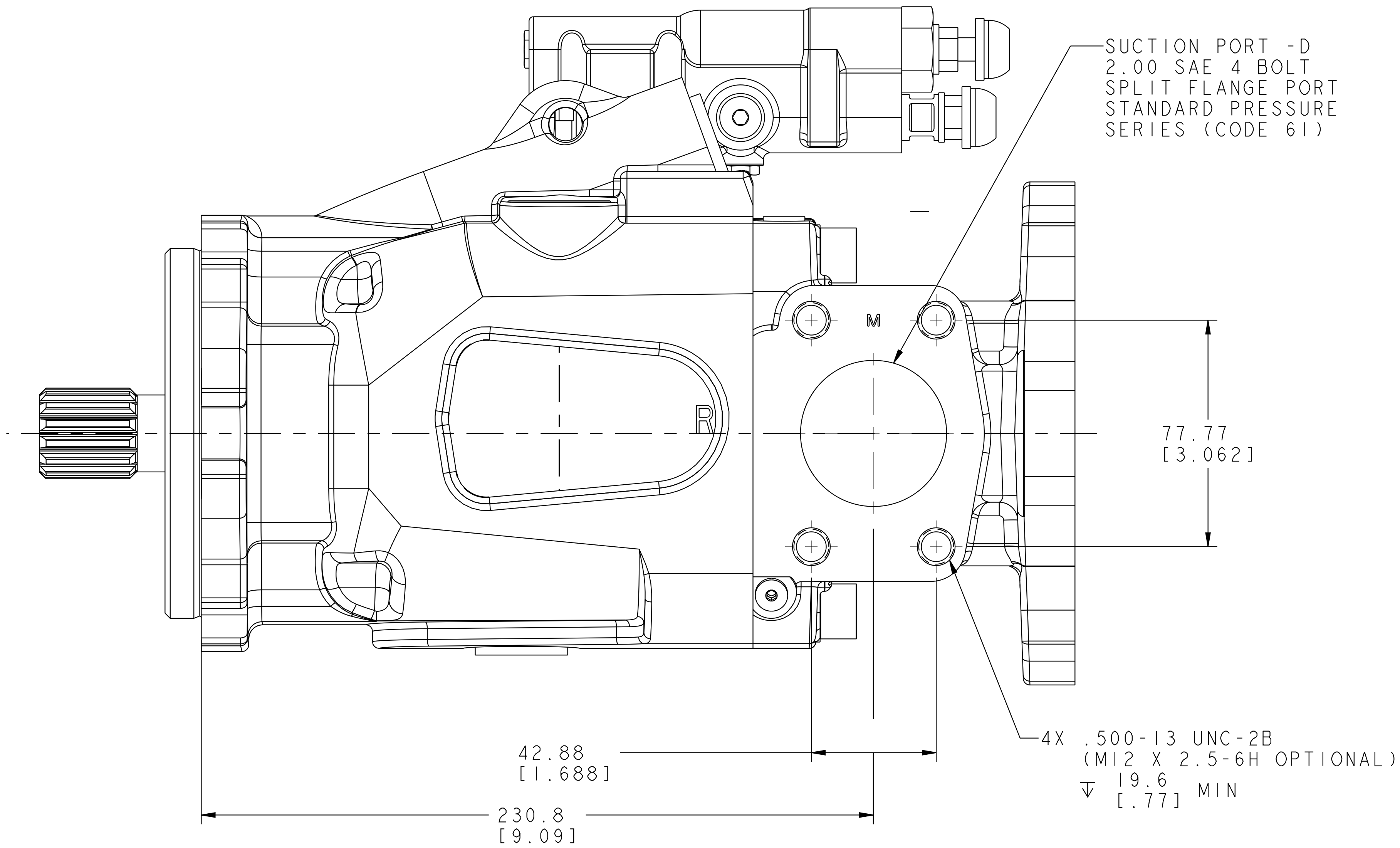


NOTE  
1 UNIT MUST BE INSTALLED IN SUCH A POSITION THAT THE CASE DRAIN ASSURES AN OIL LEVEL AT OR ABOVE UNIT CENTERLINE BEFORE STARTING

REVIEWED FOR CLASSIFICATION PER ESP-042

UNLESS OTHERWISE SPECIFIED ALL DIMENSIONS ARE IN INCHES <input type="checkbox"/> MILLIMETERS <input checked="" type="checkbox"/>		DRAWING BASED ON ANSI Y14.5M-1982	
EATON CORPORATION - CONFIDENTIAL AND PROPRIETARY AND / OR TECHNICAL INFORMATION		EATON CORPORATION - CONFIDENTIAL AND PROPRIETARY AND / OR TECHNICAL INFORMATION	
TOLERANCES .x ± .005 .xx ± REF .xxx ± ONLY < ± .001		MATERIAL/HEAT TREAT :	
UNSPECIFIED RADIi ARE: ----		TITLE SERIES 420 C MOUNT PUMP INSTALL	
UNSPECIFIED DRAFT ANGLES ARE: ----		METALLURGY BY/DATE	
E SIZE		THIRD ANGLE PROJECTION DO NOT SCALE	
NUMBER A-3231-007		SCALE 1/1 SHEET 1 OF 2	

REV	DESCRIPTION	BY	CHK	DATE	ECN / MPS
C	SEE SHEET 1 FOR REVISIONS				



REVIEWED FOR CLASSIFICATION PER ESP-042

UNLESS OTHERWISE SPECIFIED ALL DIMENSIONS ARE IN INCHES <input type="checkbox"/> MILLIMETERS <input checked="" type="checkbox"/>	DRAWING BASED ON ANSI Y14.5M-1982	
	EATON CORPORATION - CONFIDENTIAL AND PROPRIETARY NOTICE TO PERSONS RECEIVING THIS DRAWING AND/OR TECHNICAL INFORMATION	
TOLERANCES .x ± --- .xx ± REF .xxx ± ONLY < ± ---	THIS DOCUMENT, INCLUDING THE DRAWING AND INFORMATION CONTAINED THEREON, IS CONFIDENTIAL AND IS THE EXCLUSIVE PROPERTY OF EATON CORPORATION, AND IS LOANED TO YOU AND SUBJECT TO RECALL BY EATON AT ANY TIME. BY TAKING POSSESSION OF THIS DOCUMENT, YOU ACKNOWLEDGE AND AGREE THAT THIS DOCUMENT CANNOT BE USED IN ANY MANNER ADVERSE TO THE INTERESTS OF EATON, AND THAT NO PORTION OF THIS DOCUMENT MAY BE COPIED OR OTHERWISE REPRODUCED WITHOUT THE WRITTEN CONSENT OF EATON. IN THE CASE OF CONFLICTING CONTRACTUAL PROVISIONS, THIS NOTICE SHALL GOVERN THE STATUS OF THIS DOCUMENT. COPYRIGHT 2008 EATON CORPORATION - ALL RIGHTS RESERVED.	<b>EATON</b> Powering Business Worldwide Eaton Hydraulics Inc. 14615 Lone Oak Road Eaton Prairie, MN 55344 USA
UNSPECIFIED RADII ARE: --- UNSPECIFIED DRAFT ANGLES ARE: ---°	ENGRG DJJ BY/DATE 1-25-08 CHECKED BMS BY/DATE 1-25-08 METALLURGY --- BY/DATE ---	MATERIAL/HEAT TREAT TITLE SERIES 420 C MOUNT PUMP INSTALL
E SIZE	THIRD ANGLE PROJECTION DO NOT SCALE	NUMBER A-3231-007 SCALE 1/1 SHEET 2 OF 2