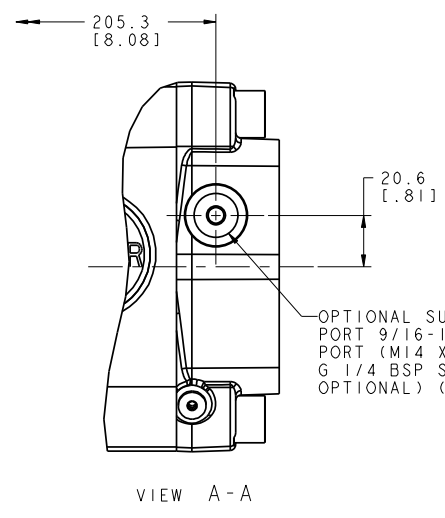
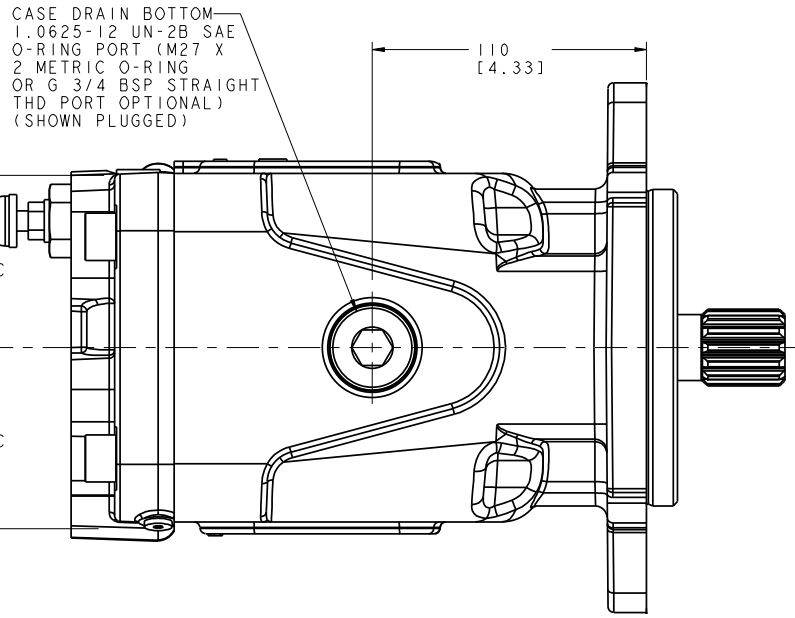
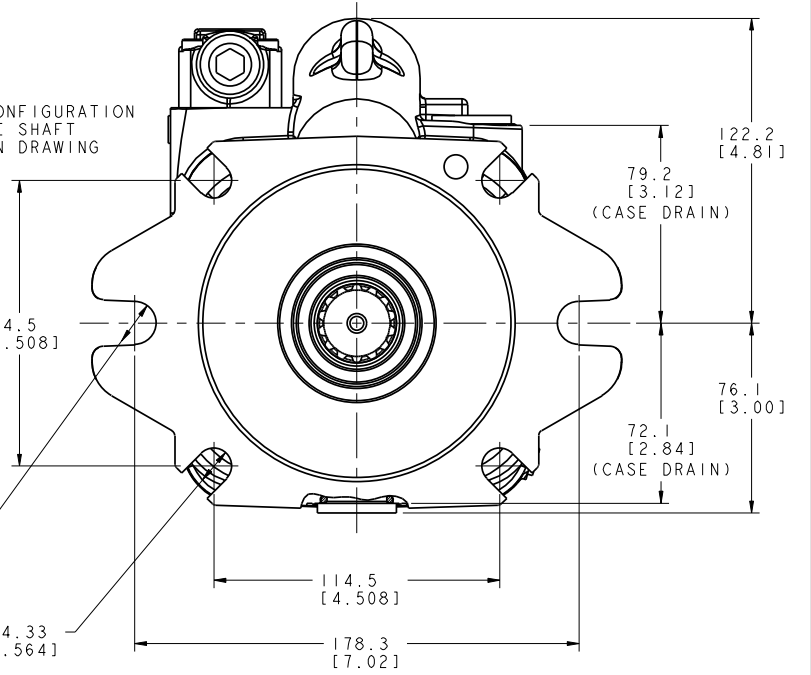
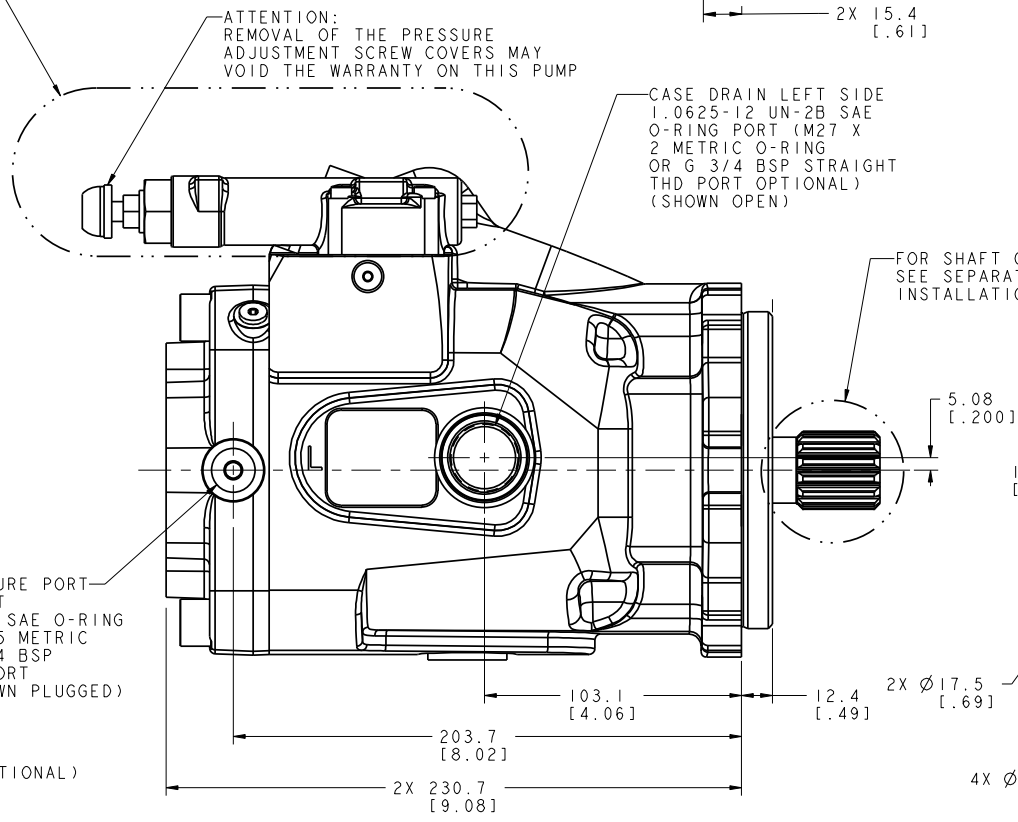
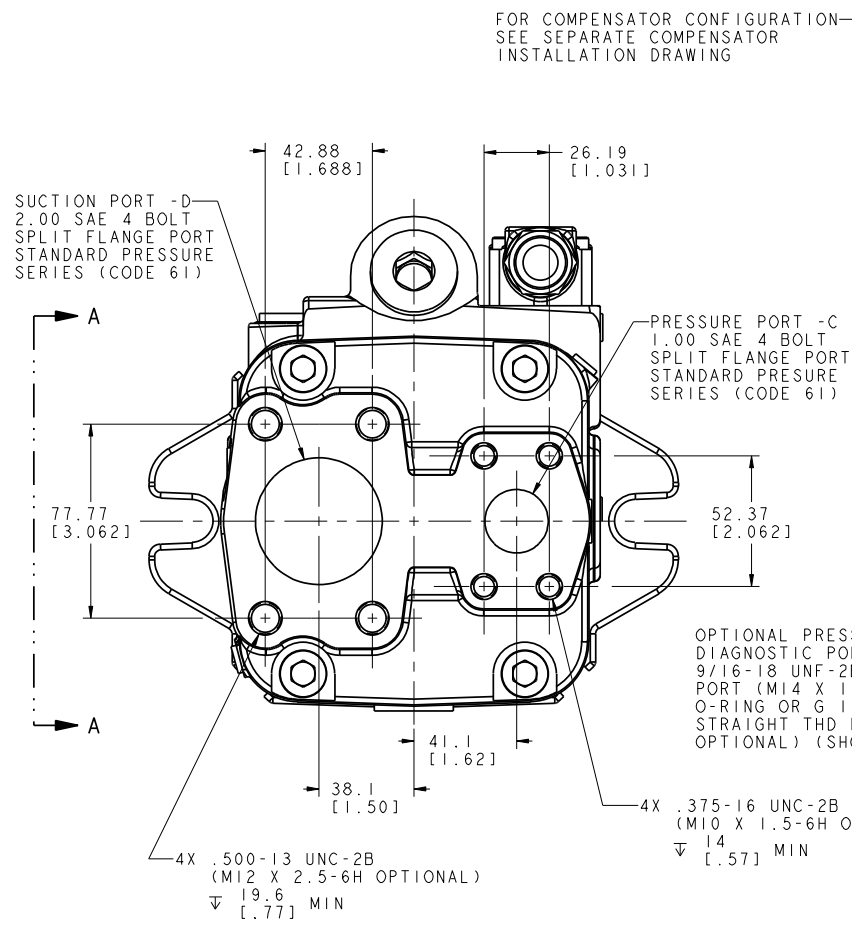
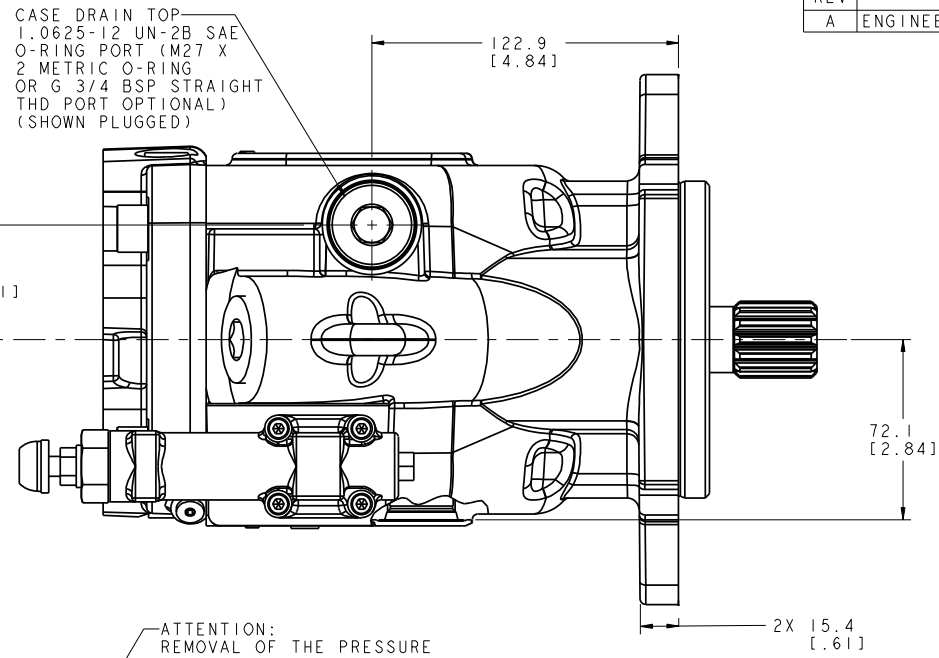


REV	DESCRIPTION	BY	CHK	DATE	ECN / MPS
A	ENGINEERING RELEASE	NWS	BMS	5-28-08	0018094



NOTE
1 PUMP MUST BE INSTALLED IN SUCH A POSITION THAT
THE CASE DRAIN ASSURES AN OIL LEVEL AT OR ABOVE
PUMP CENTERLINE BEFORE STARTING

REVIEWED FOR CLASSIFICATION PER ESP-042

UNLESS OTHERWISE SPECIFIED ALL DIMENSIONS ARE IN		DRAWING BASED ON ANSI Y14.5M-1982	
INCHES	<input type="checkbox"/>	NOTICE TO PERSONS RECEIVING THIS DRAWING AND / OR TECHNICAL INFORMATION	
MILLIMETERS (INCHES)	<input checked="" type="checkbox"/>	Eaton Corporation claims proprietary rights in the information disclosed herein. This document is issued in confidence and is not to be reproduced or used to manufacture anything shown herein without the written permission of the Eaton Corporation.	
TOLERANCES		Eaton Hydrolics, Inc. 14615 Lone Oak Road, Evanston, W. Va. 25834	
.XX ±	----	DRAWN NWS	MATERIAL/HEAT TREAT
.XXX ±	REF	BY/DATE 1-16-08	
<	ONLY	CHECKED BMS	
		BY/DATE 1-16-08	
UNSPECIFIED RADI	ARE:	ENGRG DJZ	TITLE
----		BY/DATE 1-16-08	
UNSPECIFIED DRAFT ANGLES ARE:		METALLURGY	
----		BY/DATE	
			SERIES 420 C MOUNT PUMP INSTALL
			NUMBER
			A-3363-002
E SIZE	THIRD ANGLE PROJECTION	SCALE	1/1
	DO NOT SCALE	SHEET	1 OF 1