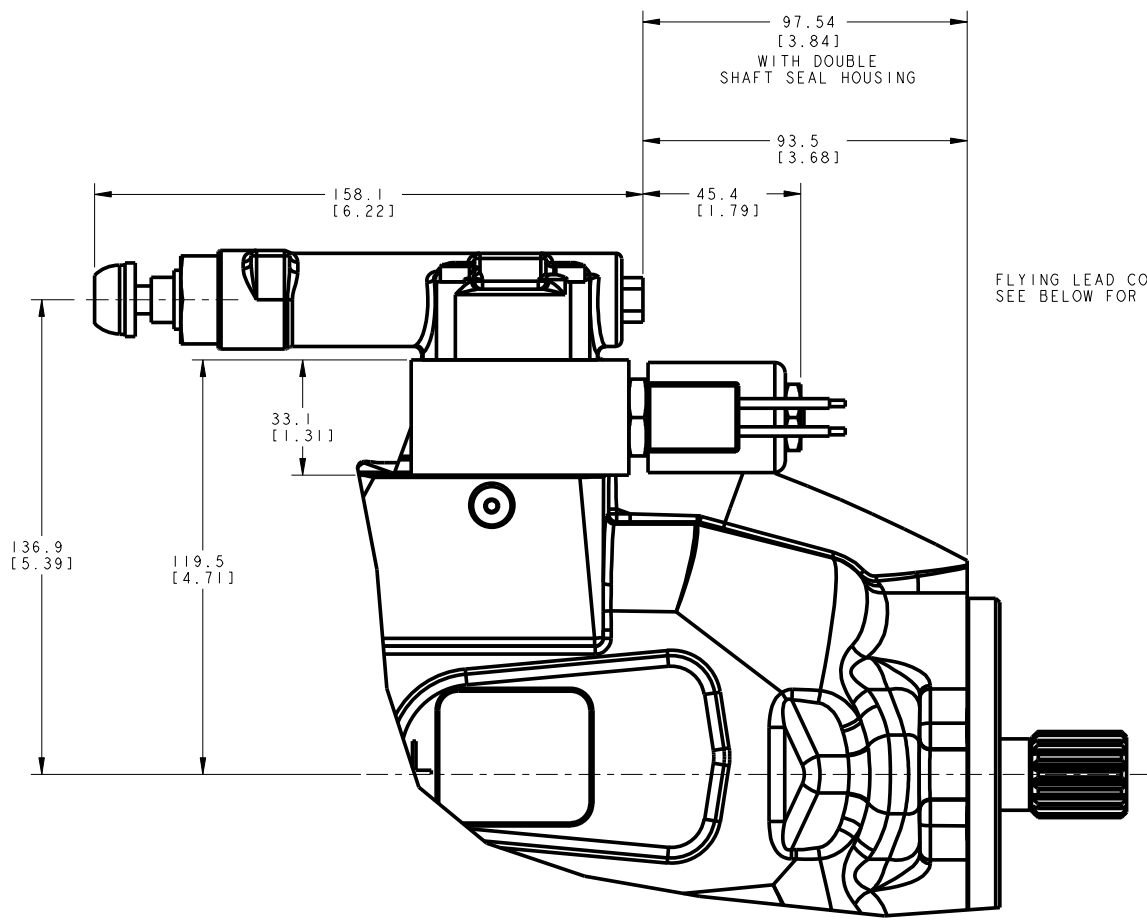
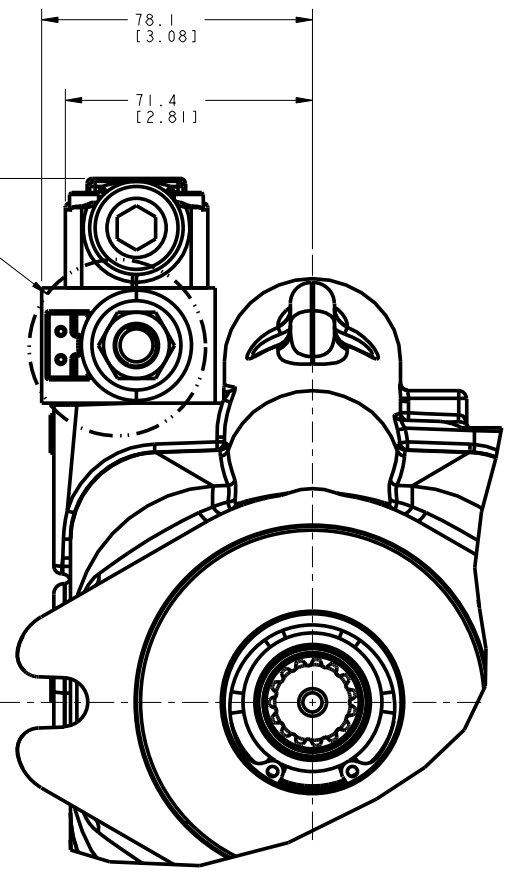


REV	DESCRIPTION	BY	CHK	DATE	ECN / MPS
A	RELEASE FOR SAMPLES AND ESTIMATES	NWS	DZ	05-28-08	0018094

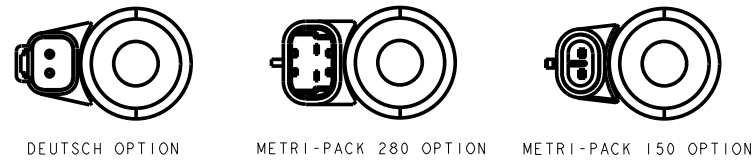


FLYING LEAD COIL SHOWN
SEE BELOW FOR OPTIONS



REVIEWED FOR CLASSIFICATION PER ESP-042

DISTRIBUTION CODE(S):



UNLESS OTHERWISE SPECIFIED ALL DIMENSIONS ARE IN INCHES <input type="checkbox"/> MILLIMETERS <input checked="" type="checkbox"/>		DRAWING BASED ON ANSI Y14.5M-1982	
TOLERANCES .X ± ---- .XX ± REF .XXX ± ONLY ∠ ± ----		NOTICE TO PERSONS RECEIVING THIS DRAWING AND / OR TECHNICAL INFORMATION EATON Eaton Corporation claims proprietary rights in the information disclosed herein. This document is issued in confidence and is not to be reproduced or used to manufacture anything shown herein without the written permission of the Eaton Corporation.	
DRAWN: NWS BY/DATE: 5-30-08		MATERIAL/HEAT TREAT	
CHECKED: DJZ BY/DATE: 5-30-08		TITLE	
UNSPECIFIED RADII ARE: ----		420 PUMP PRESS. W/COLD START COMPENSATOR INSTALLATION	
UNSPECIFIED DRAFT ANGLES ARE: ----		METALLURGY BY/DATE	
THIRD ANGLE PROJECTION DO NOT SCALE		NUMBER A-3235-005	
MICROINCHES <input type="checkbox"/> MICROMETERS <input checked="" type="checkbox"/>		SCALE 1/1	
ARITHMETICAL AVERAGE <input checked="" type="checkbox"/>		SHEET 1 OF 1	