

REV	DESCRIPTION	BY	CHK	DATE	ECN / MPS
A	ENGINEERING RELEASE	NWS	BMS	5-28-08	0018094

NOTE

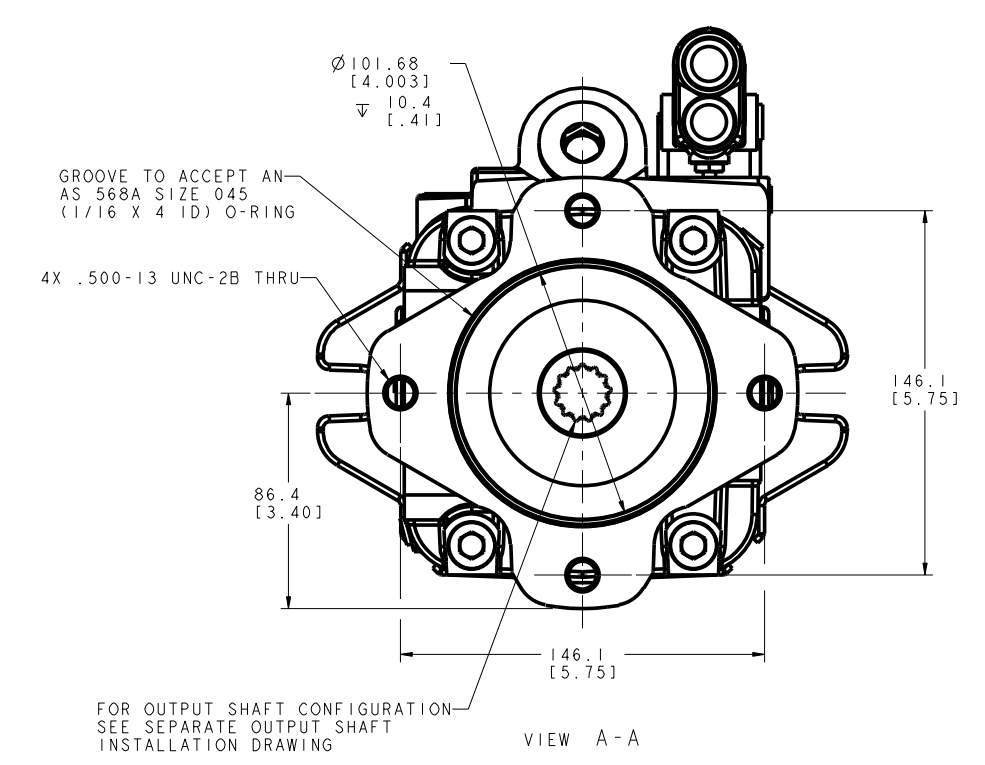
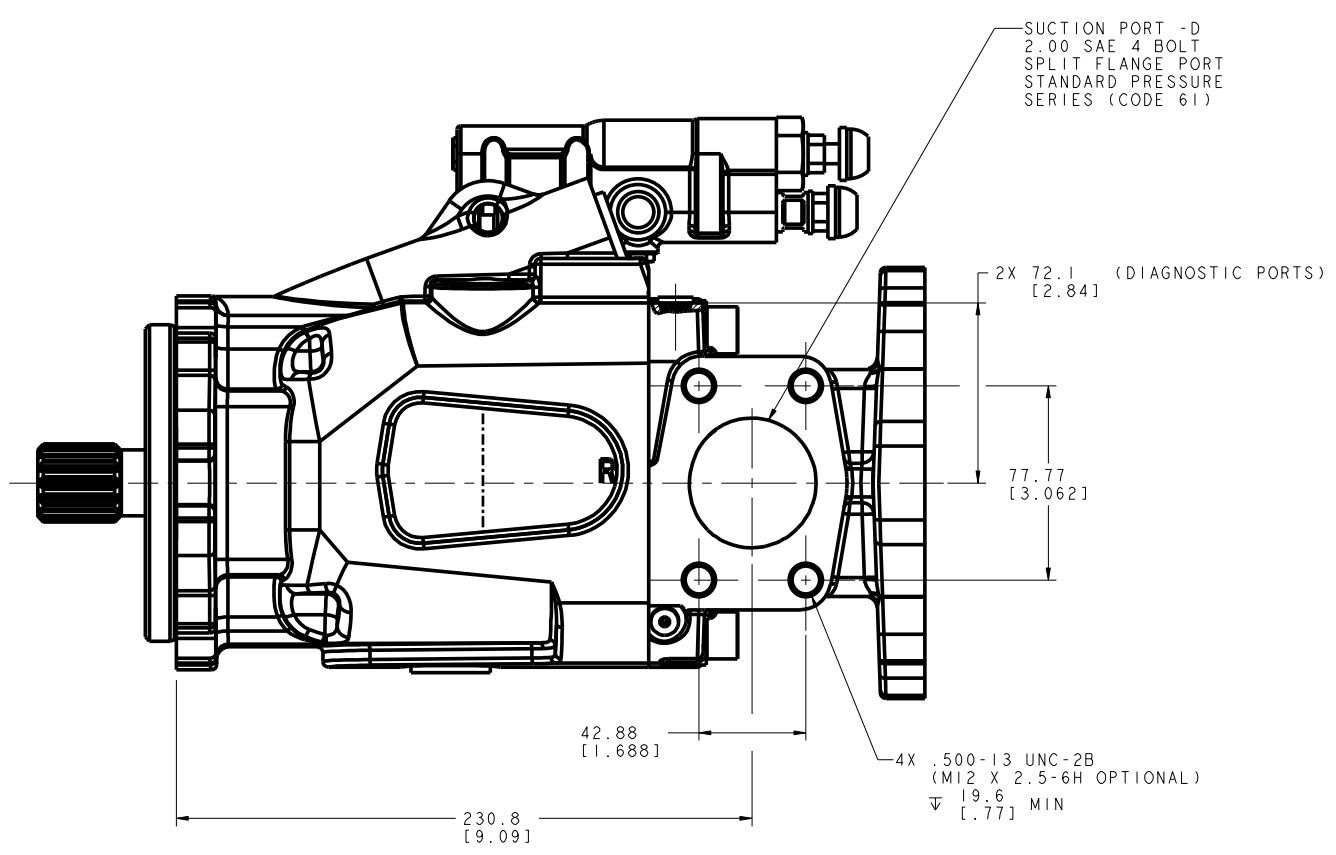
1 UNIT MUST BE INSTALLED IN SUCH A POSITION THAT THE CASE DRAIN ASSURES AN OIL LEVEL AT OR ABOVE UNIT CENTERLINE BEFORE STARTING



REVIEWED FOR CLASSIFICATION PER ESP-042

UNLESS OTHERWISE SPECIFIED ALL DIMENSIONS ARE IN INCHES		DRAWING BASED ON ANSI Y14.5M-1982	
MILLIMETERS (INCHES)		NOTICE TO PERSONS RECEIVING THIS DRAWING AND / OR TECHNICAL INFORMATION	
TOLERANCES		Eaton Corporation claims proprietary rights in the information disclosed herein. This document is issued in confidence and is not to be reproduced or used to manufacture anything shown herein without the written permission of the Eaton Corporation.	
.XX ± .005	REF	DRAWN NWS	MATERIAL/HEAT TREAT
.XXX ± .005	ONLY	BY/DATE 1-17-08	
UNSPECIFIED RADII ARE:		CHECKED BMS	
		BY/DATE 1-17-08	
UNSPECIFIED DRAFT ANGLES ARE:		ENGRG DJZ	TITLE
		BY/DATE 1-17-08	SERIES 420 C MOUNT PUMP INSTALL
		METALLURGY	NUMBER
		BY/DATE	A-3231-005
E SIZE	THIRD ANGLE PROJECTION	SCALE 1/1	SHEET 1 OF 2
	DO NOT SCALE	ARITHMETICAL AVERAGE	

REV	DESCRIPTION	BY	CHK	DATE	ECN / MPS
D	SEE SHEET 1 FOR REVISIONS				



UNLESS OTHERWISE SPECIFIED ALL DIMENSIONS ARE IN INCHES		DRAWING BASED ON ANSI Y14.5M-1982	
MILLIMETERS (INCHES)		NOTICE TO PERSONS RECEIVING THIS DRAWING AND / OR TECHNICAL INFORMATION	
TOLERANCES		Eaton Corporation claims proprietary rights in the information disclosed herein. This document is issued in confidence and is not to be reproduced or used to manufacture anything shown hereon without the written permission of the Eaton Corporation.	
.XX ± .005	DRAWN NWS	Eaton Hydraulics, Inc. 14615 Lone Oak Road Eden Prairie, Mn. 55344	
.XXX ± .010	BY/DATE 1-17-08	MATERIAL/HEAT TREAT	
< ± .015	CHECKED BMS	TITLE	
UNSPECIFIED RADII ARE:	BY/DATE 1-17-08	SERIES 420 C MOUNT PUMP INSTALL	
UNSPECIFIED DRAFT ANGLES ARE:	ENGRG DJZ	NUMBER	
	BY/DATE 1-17-08	A-3231-005	
	METALLURGY	SCALE 1/1	
	BY/DATE	SHEET 2 OF 2	
		ARITHMETICAL AVERAGE	