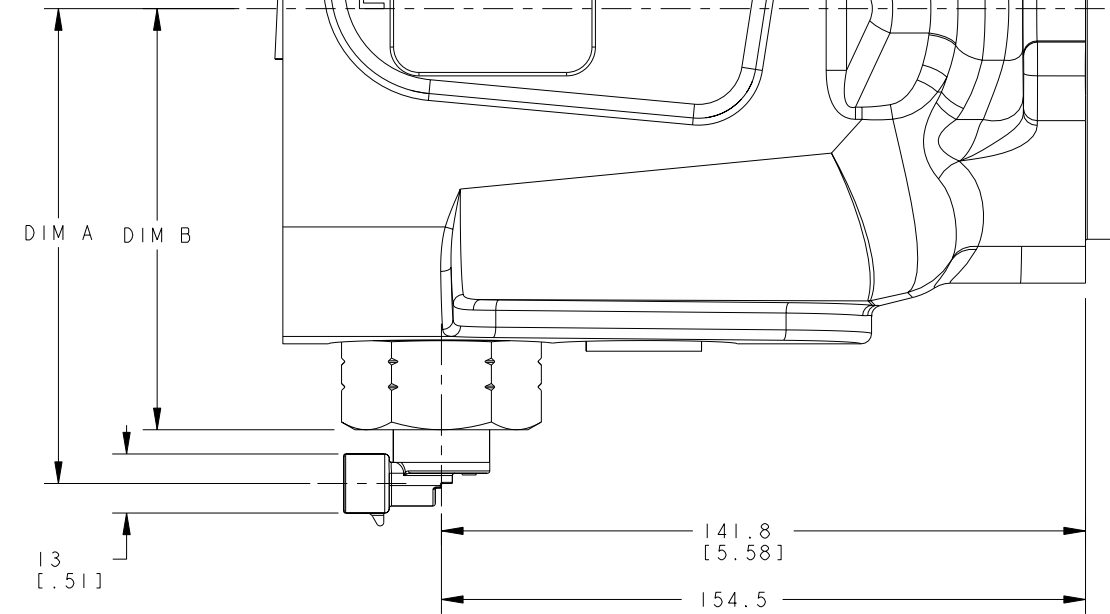
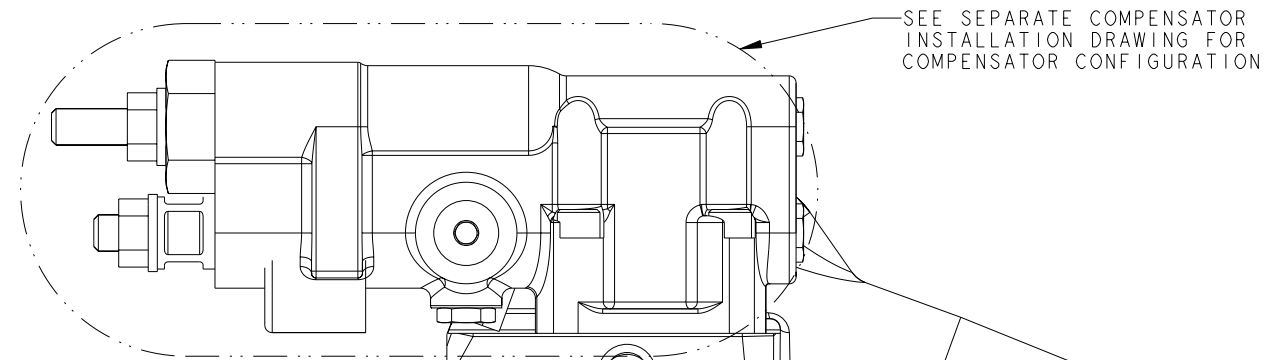
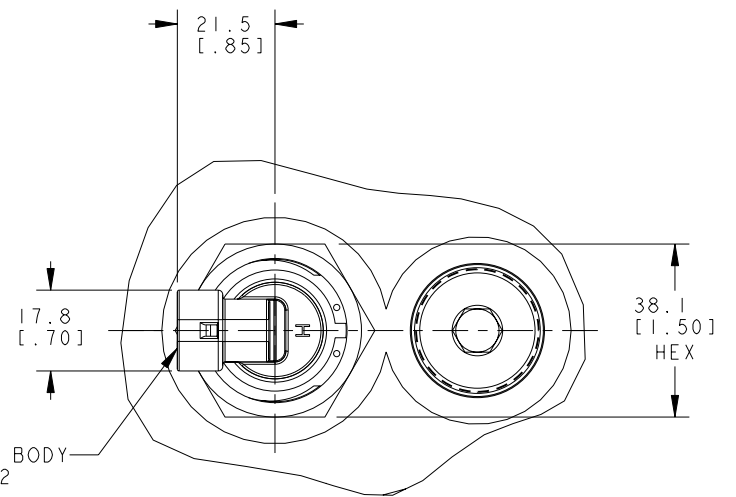


REV	DESCRIPTION	BY	CHK	DATE	ECN / MPS
A	ENGINEERING RELEASE	MKS	SDY	08-21-08	0021240



WITH DOUBLE SHAFT SEAL HOUSING

MATING CONNECTOR BODY
PACKARD 1216 2192



VIEW A-A



80 [4.88]	110.2 [4.34]	98.9 [3.89]
62.3 [3.80]	107.8 [4.24]	96.5 [3.80]
49.2 [3.00]	104 [4.10]	92.7 [3.65]
41 [2.50]	103.2 [4.06]	91.9 [3.62]
PUMP DISP	DIM A	DIM B

REVIEWED FOR CLASSIFICATION PER ESP-042

DISTRIBUTION CODE(S)
-

UNLESS OTHERWISE SPECIFIED ALL DIMENSIONS ARE IN		DRAWING BASED ON ANSI Y14.5M-1982	
INCHES <input type="checkbox"/>	MILLIMETERS <input checked="" type="checkbox"/>	NOTICE TO PERSONS RECEIVING THIS DRAWING AND / OR TECHNICAL INFORMATION	
TOLERANCES .X ± --- .XX ± REF .XXX ± ONLY < ± ---		Eaton Corporation claims proprietary rights in the information disclosed hereon. This document is issued in confidence and is not to be reproduced or used to manufacture anything shown hereon without the written permission of the Eaton Corporation. EATON Eaton Hydraulics, Inc. 14615 Lone Oak Road Eden Prairie, Mn. 55344	
UNSPECIFIED RADII ARE: ---		DRAWN MKS BY/DATE 08-21-08 CHECKED SDY BY/DATE 08-21-08	MATERIAL/HEAT TREAT ---
UNSPECIFIED DRAFT ANGLES ARE: ---		ENGRG DJJ BY/DATE 08-21-08 METALLURGY --- BY/DATE ---	TITLE 420 PUMP SPEED SENSOR INSTALL
THIRD ANGLE PROJECTION DO NOT SCALE		MICROINCHES <input type="checkbox"/> MICROMETERS <input checked="" type="checkbox"/>	NUMBER A-3302-001
		ARITHMETICAL AVERAGE <input checked="" type="checkbox"/>	SCALE 1/1 SHEET 1 OF 1