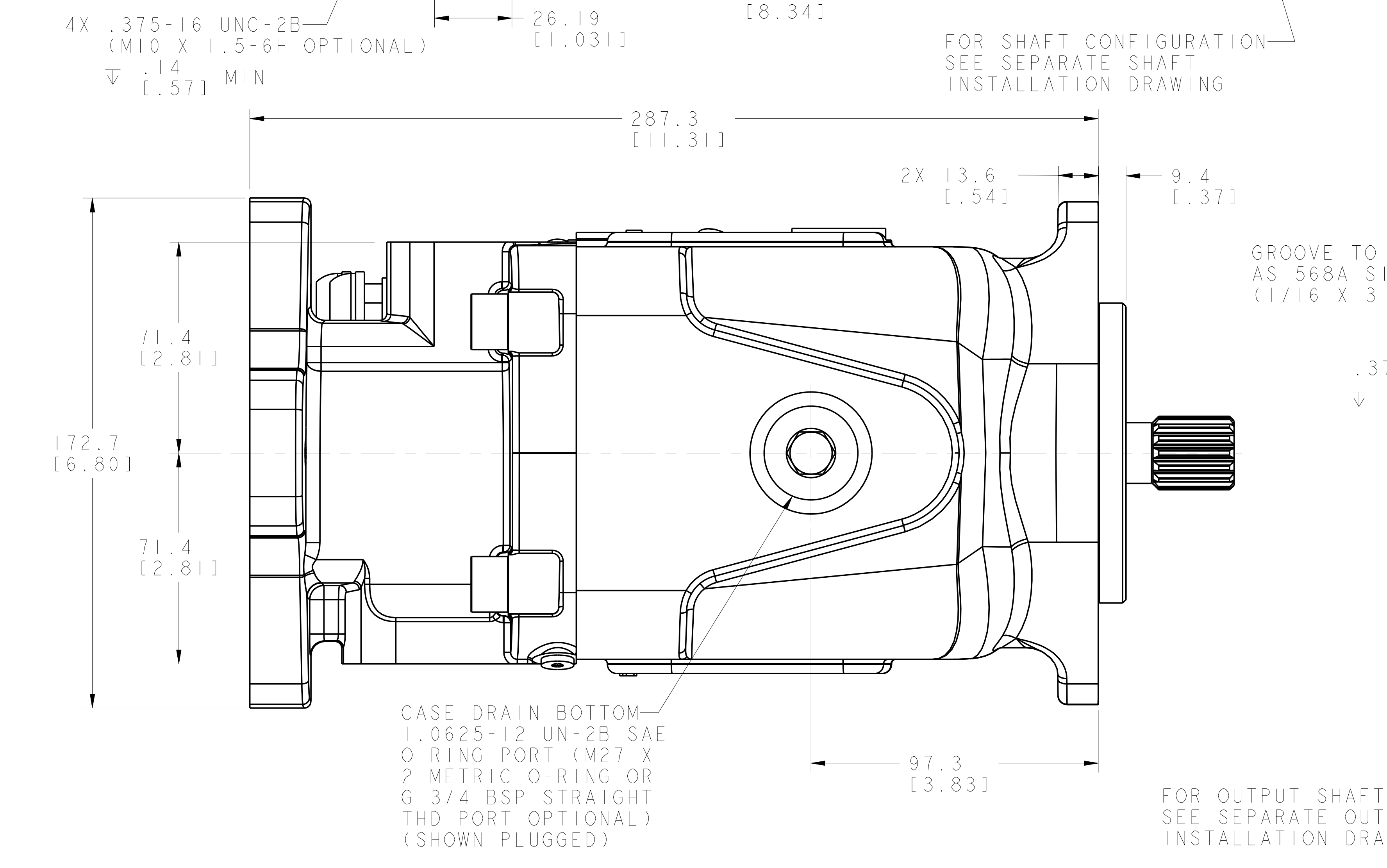
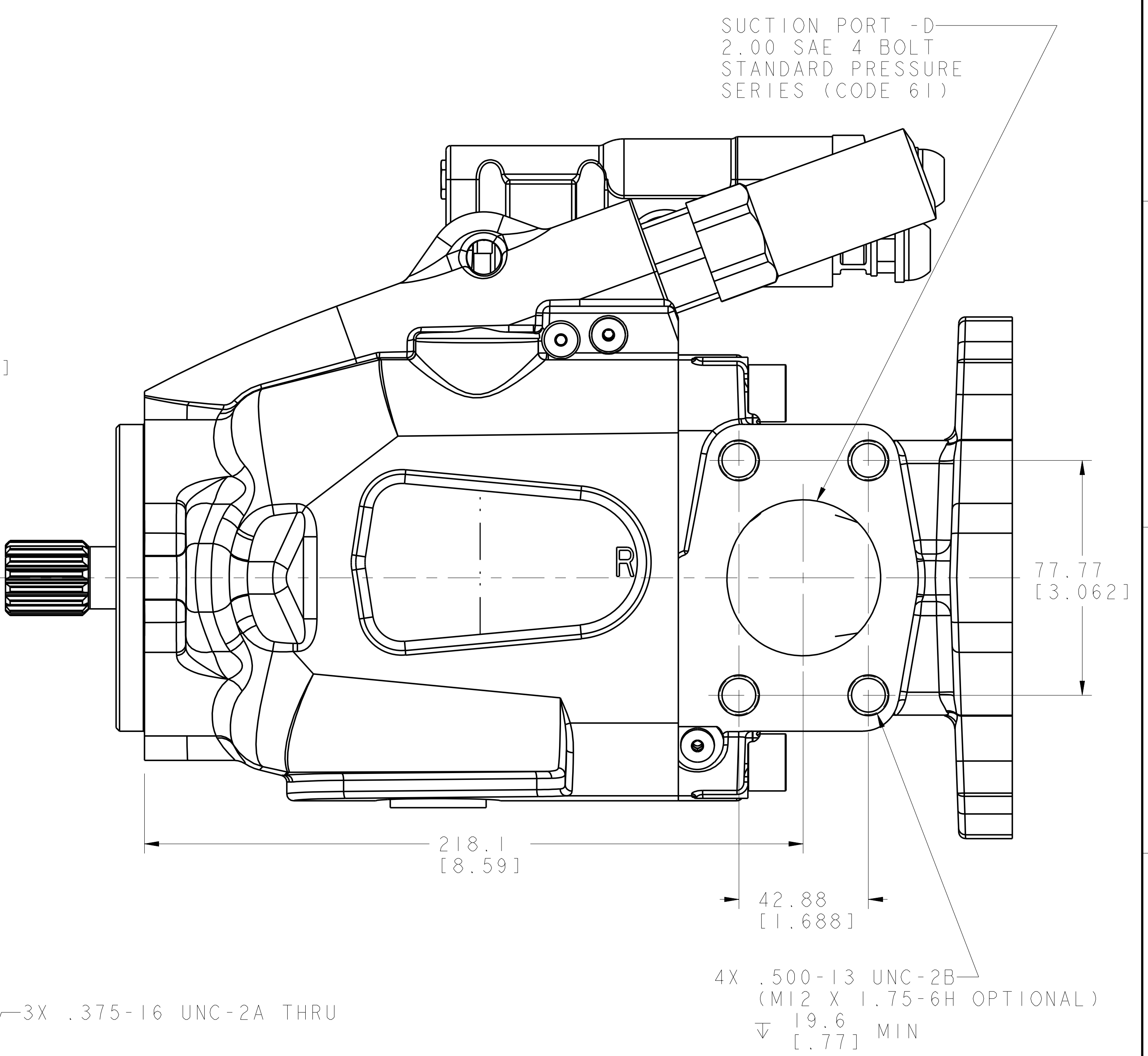
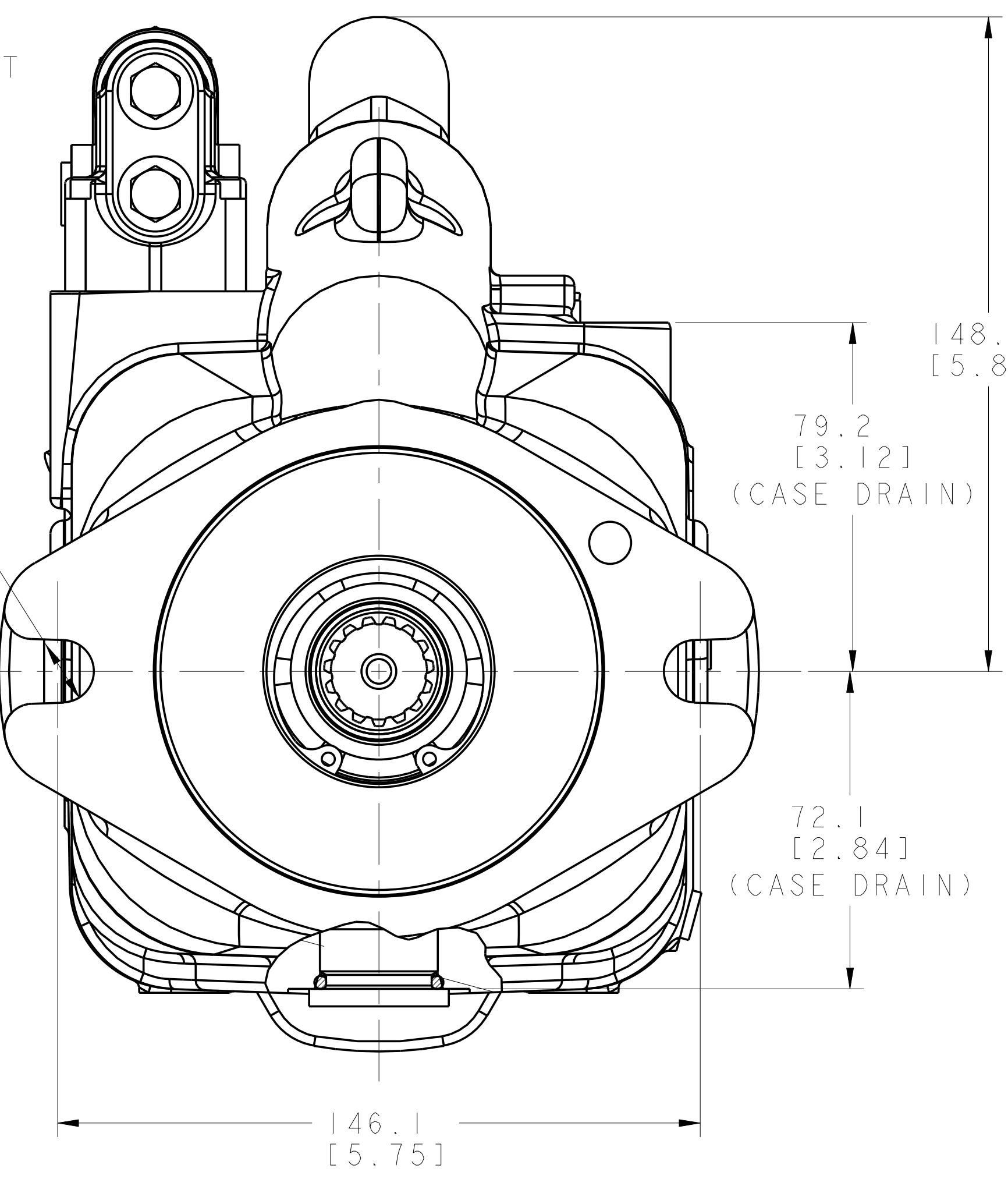
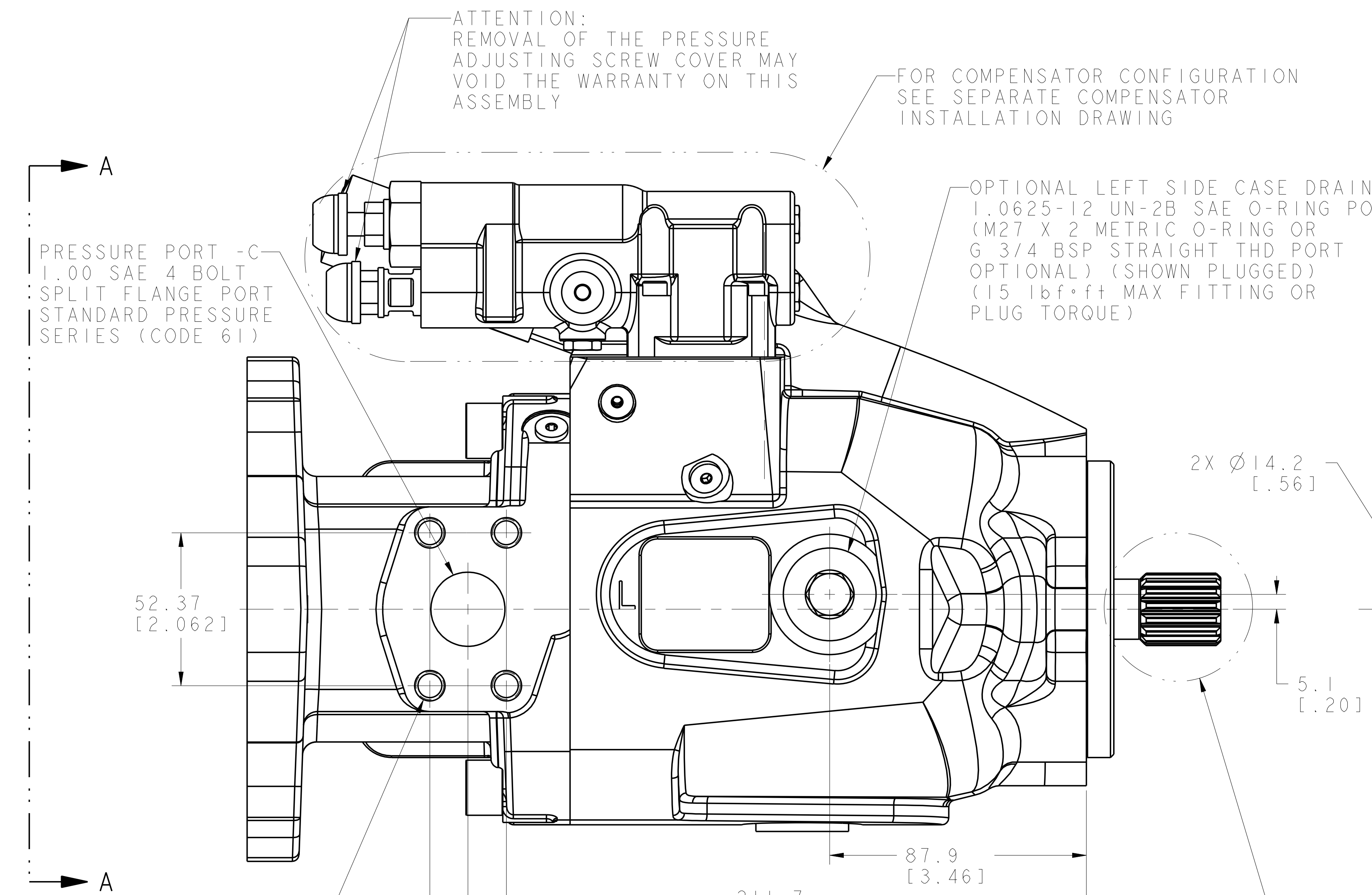
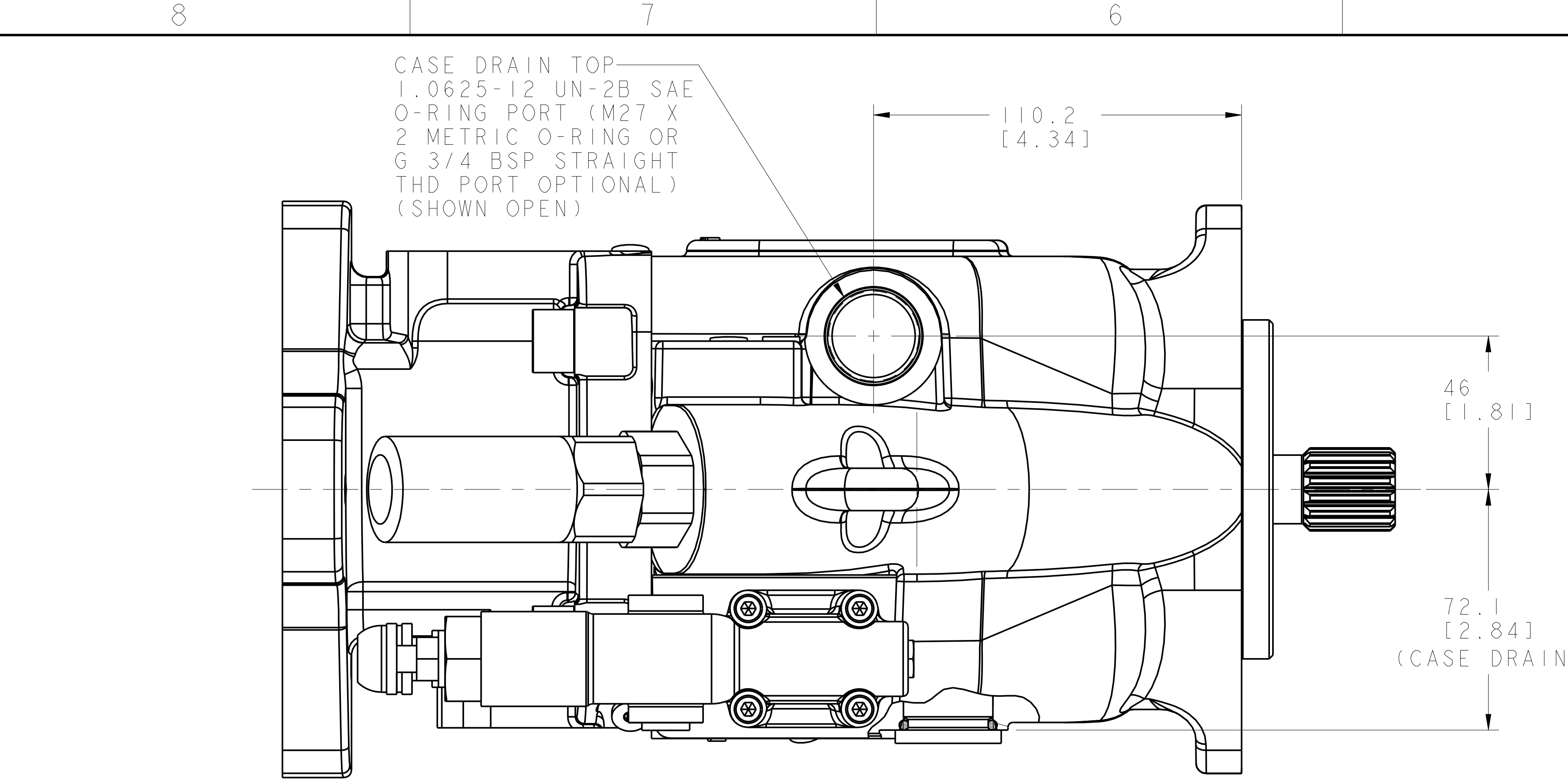


REV	DESCRIPTION	BY	CHK	DATE	ECN / MPS
A	ENGINEERING RELEASE	NWS	BMS	5-28-08	0018094



NOTE  
1 UNIT MUST BE INSTALLED IN SUCH A POSITION THAT  
THE CASE DRAIN ASSURES AN OIL LEVEL AT OR ABOVE  
UNIT CENTERLINE BEFORE STARTING

UNLESS OTHERWISE SPECIFIED ALL DIMENSIONS ARE IN INCHES [X] MILLIMETERS [ ]		DRAWING BASED ON ANSI Y14.5M-1982	
TOLERANCES		NOTICE TO PERSONS RECEIVING THIS DRAWING AND / OR TECHNICAL INFORMATION	
.x ± .----	----	Eaton Corporation claims proprietary rights in the information disclosed herein. This document is issued in confidence and is not to be reproduced or used to manufacture anything shown hereon without the written permission of the Eaton Corporation.	
.xx ± REF	----	Eaton Hydraulics, Inc. 14615 Lone Oak Road Eden Prairie, Mn. 55344	
.xxx ± ONLY	----	DRAWN NWS BY/DATE 1-2-08	MATERIAL/HEAT TREAT
≤ ± .----	----	CHECKED BMS BY/DATE 1-2-08	TITLE
UNSPECIFIED RADII ARE: ----	----	ENGRG DJZ BY/DATE 1-2-08	SERIES 420 PUMP INSTALLATION
UNSPECIFIED DRAFT ANGLES ARE: ----	----	METALLURGY BY/DATE ----	NUMBER
THIRD ANGLE PROJECTION DO NOT SCALE	ARITHMETICAL AVERAGE	SCALE 1/1	SHEET 1 OF 1
A-3359-014			