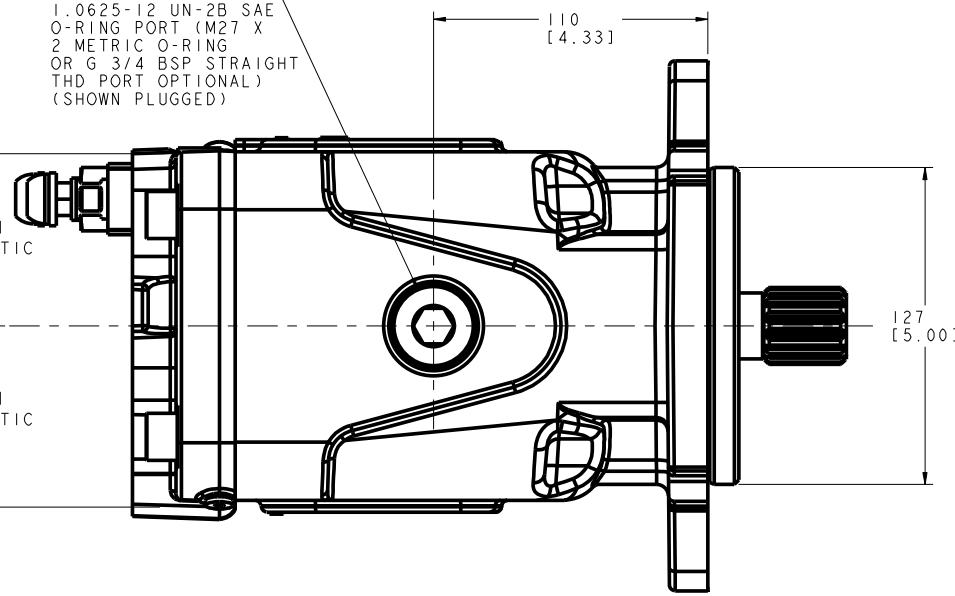
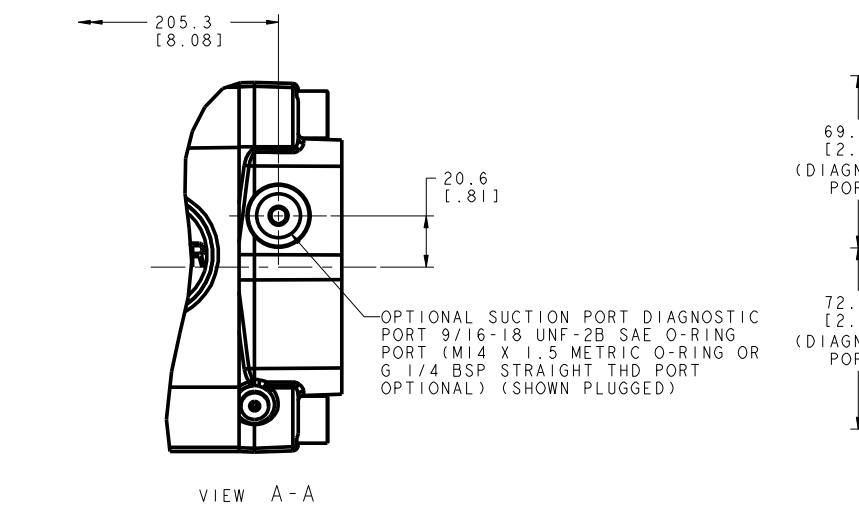
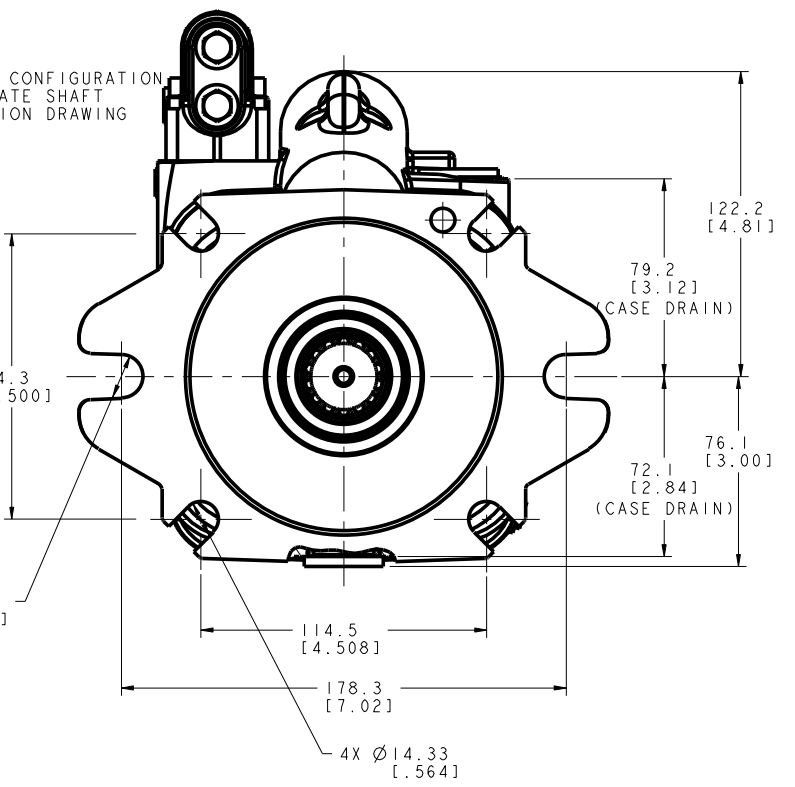
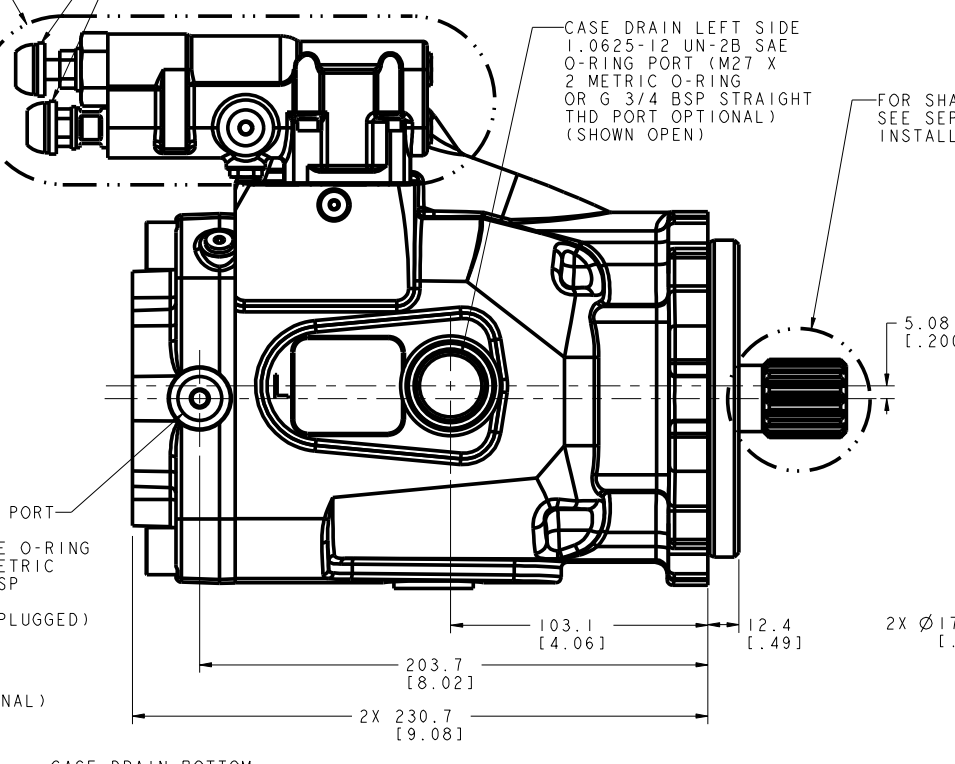
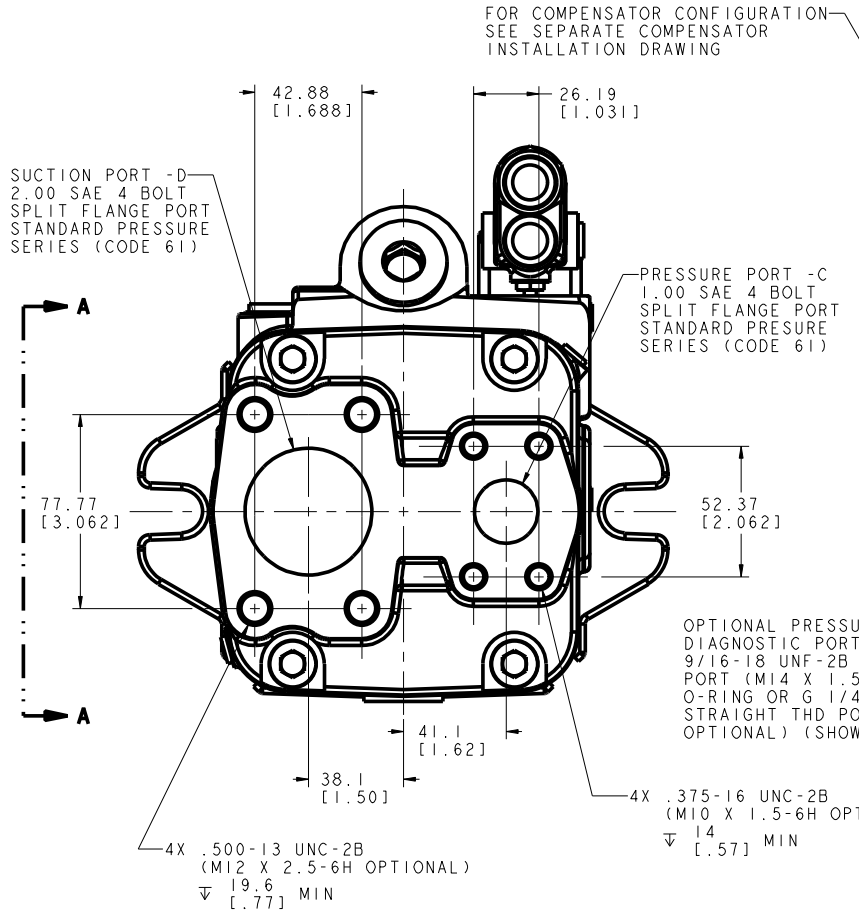
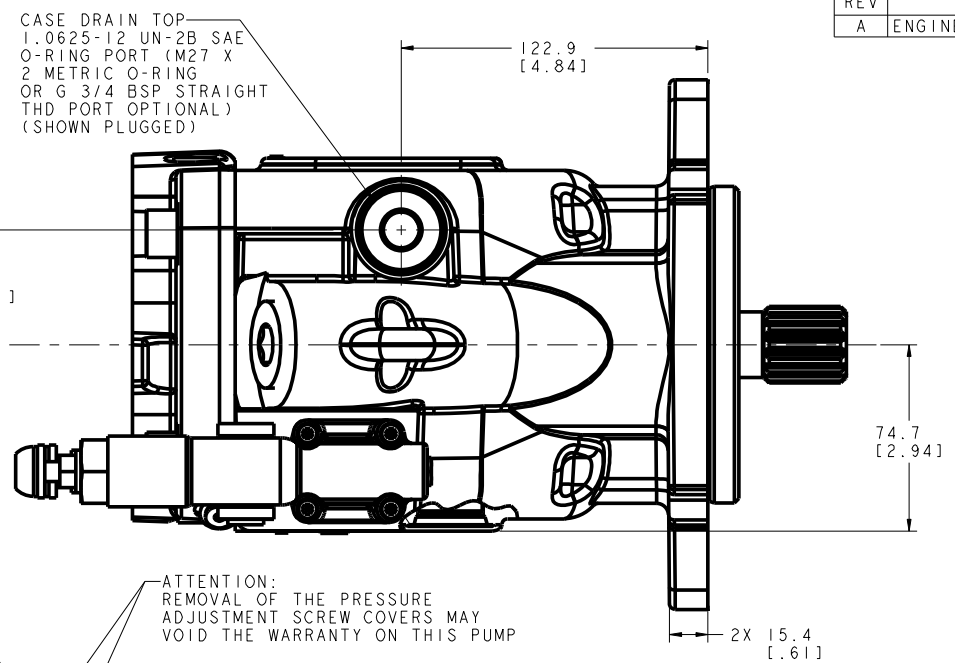


REV	DESCRIPTION	BY	CHK	DATE	ECN / MPS
A	ENGINEERING RELEASE	NWS	BMS	5-28-08	0018094



NOTE
1 PUMP MUST BE INSTALLED IN SUCH A POSITION THAT THE CASE DRAIN ASSURES AN OIL LEVEL AT OR ABOVE PUMP CENTERLINE BEFORE STARTING

REVIEWED FOR CLASSIFICATION PER ESP-042

DRAWING BASED ON ANSI Y14.5M-1982

UNLESS OTHERWISE SPECIFIED ALL DIMENSIONS ARE IN INCHES

NOTICE TO PERSONS RECEIVING THIS DRAWING AND / OR TECHNICAL INFORMATION: Eaton Corporation claims proprietary rights in the information disclosed herein. This document is issued in confidence and is not to be reproduced or used to manufacture anything shown hereon without the written permission of the Eaton Corporation.

Eaton Hydrostatics, Inc.
14615 Lone Oak Road
Eaton Township, Pa. 15344

TOLERANCES	DRAWN NWS	MATERIAL/HEAT TREAT
.XX ± .001	BY/DATE 1-16-08	
.XXX ± .002	CHECKED BMS	
< ± .005	BY/DATE 1-16-08	
UNSPECIFIED RADII ARE:	ENGRG DJZ	TITLE
----	BY/DATE 1-16-08	SERIES 420 C MOUNT PUMP INSTALL
UNSPECIFIED DRAFT ANGLES ARE:	METALLURGY	NUMBER
----	BY/DATE	A-3231-002
E SIZE	THIRD ANGLE PROJECTION	SCALE 1/1
	DO NOT SCALE	SHEET 1 OF 1