

NOTE  
 1 UNIT MUST BE INSTALLED IN SUCH A POSITION THAT THE CASE DRAIN ASSURES AN OIL LEVEL AT OR ABOVE UNIT CENTERLINE BEFORE STARTING

REVIEWED FOR CLASSIFICATION PER ESP-042

DRAWING BASED ON ANSI Y14.5M-1982

NOTICE TO PERSONS RECEIVING THIS DRAWING AND / OR TECHNICAL INFORMATION

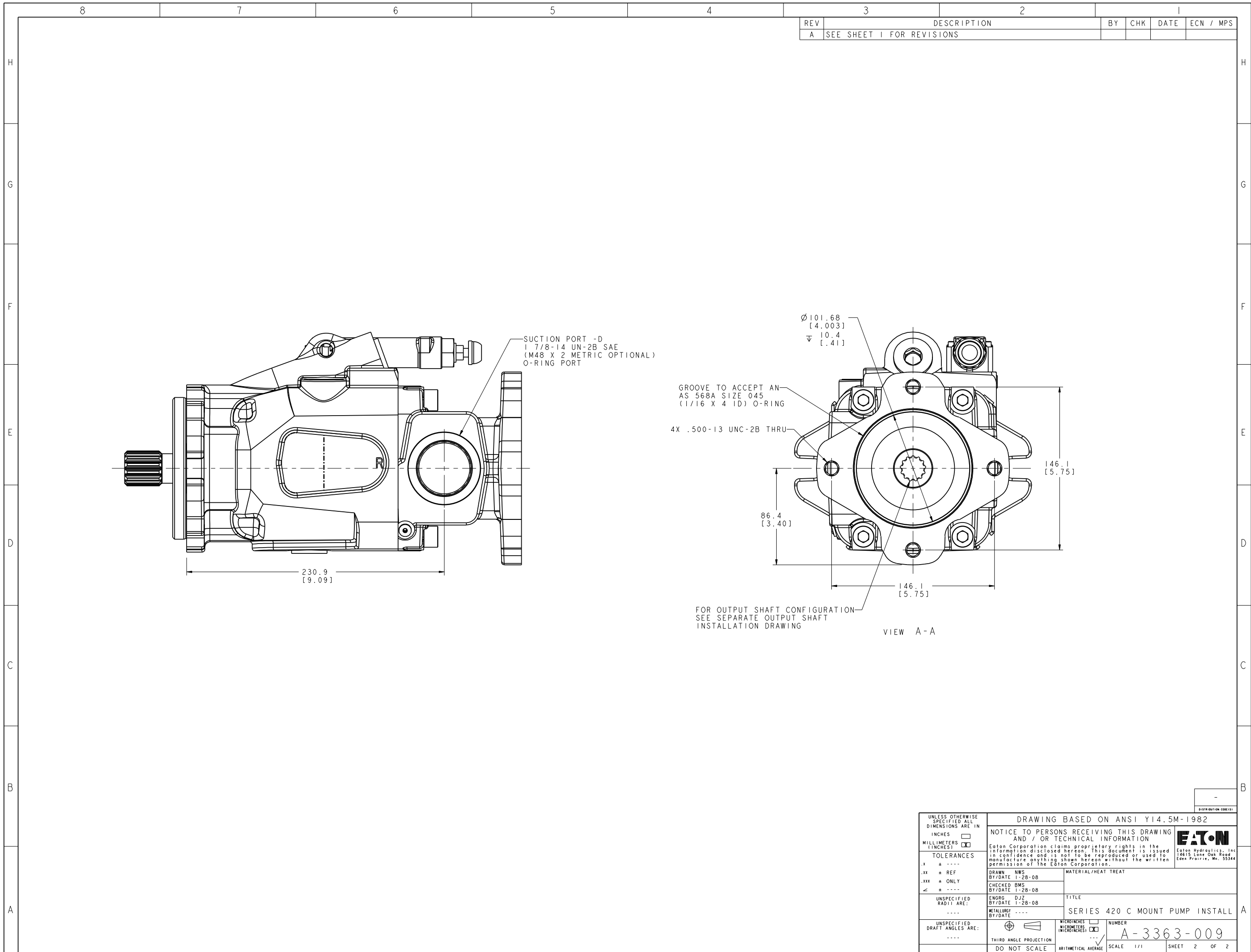
**Eaton**

Eaton Corporation claims proprietary rights in the information disclosed herein. This document is issued in confidence and is not to be reproduced or used to manufacture anything shown herein without the written permission of the Eaton Corporation.

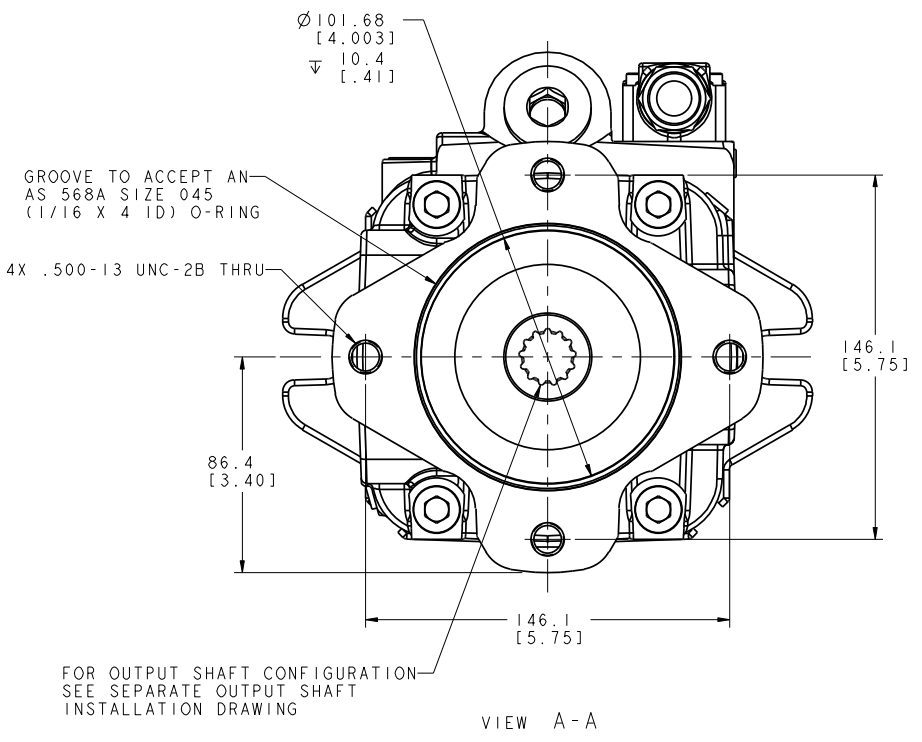
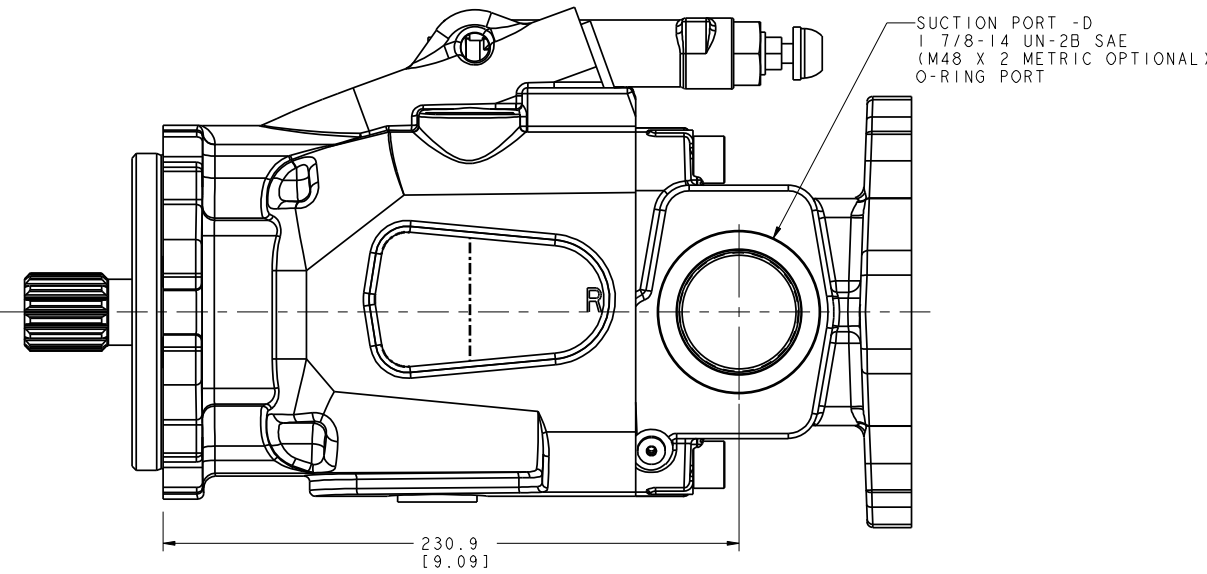
Eaton Hydrolytics, Inc  
 14615 Lone Oak Road  
 Eden Prairie, Mn. 55344

UNLESS OTHERWISE SPECIFIED ALL DIMENSIONS ARE IN INCHES	<input type="checkbox"/> INCHES	<input checked="" type="checkbox"/> MILLIMETERS (INCHES)
TOLERANCES	.XX ± .000	.XXX ± .001
UNSPECIFIED RADIi ARE:	----	----
UNSPECIFIED DRAFT ANGLES ARE:	----	----
DO NOT SCALE	THIRD ANGLE PROJECTION	ARITHMETICAL AVERAGE

DRAWN NWS BY/DATE 1-28-08	MATERIAL/HEAT TREAT
CHECKED BMS BY/DATE 1-28-08	TITLE
ENGRG DJZ BY/DATE 1-28-08	SERIES 420 C MOUNT PUMP INSTALL
METALLURGY	NUMBER
BY/DATE	A-3363-009
SCALE 1/1	SHEET 1 OF 2



REV	DESCRIPTION	BY	CHK	DATE	ECN / MPS
A	SEE SHEET 1 FOR REVISIONS				



UNLESS OTHERWISE SPECIFIED ALL DIMENSIONS ARE IN INCHES <input type="checkbox"/> MILLIMETERS <input checked="" type="checkbox"/>		DRAWING BASED ON ANSI Y14.5M-1982	
TOLERANCES .XX ± .0005 .XXX ± .001 < ± .001		NOTICE TO PERSONS RECEIVING THIS DRAWING AND / OR TECHNICAL INFORMATION Eaton Corporation claims proprietary rights in the information disclosed hereon. This document is issued in confidence and is not to be reproduced or used to manufacture anything shown hereon without the written permission of the Eaton Corporation.	
DRAWN NWS BY/DATE 1-28-08		MATERIAL/HEAT TREAT	
CHECKED BMS BY/DATE 1-28-08		Eaton Hydrolics, Inc. 14615 Lone Oak Road, Core Prairie, Mo. 65244	
UNSPECIFIED RADII ARE: ENGRG DJZ BY/DATE 1-28-08		TITLE	
METALLURGY BY/DATE		SERIES 420 C MOUNT PUMP INSTALL	
UNSPECIFIED DRAFT ANGLES ARE: <input checked="" type="checkbox"/> THIRD ANGLE PROJECTION <input type="checkbox"/> DO NOT SCALE		NUMBER A-3363-009	
ARITHMETICAL AVERAGE		SCALE 1/1 SHEET 2 OF 2	