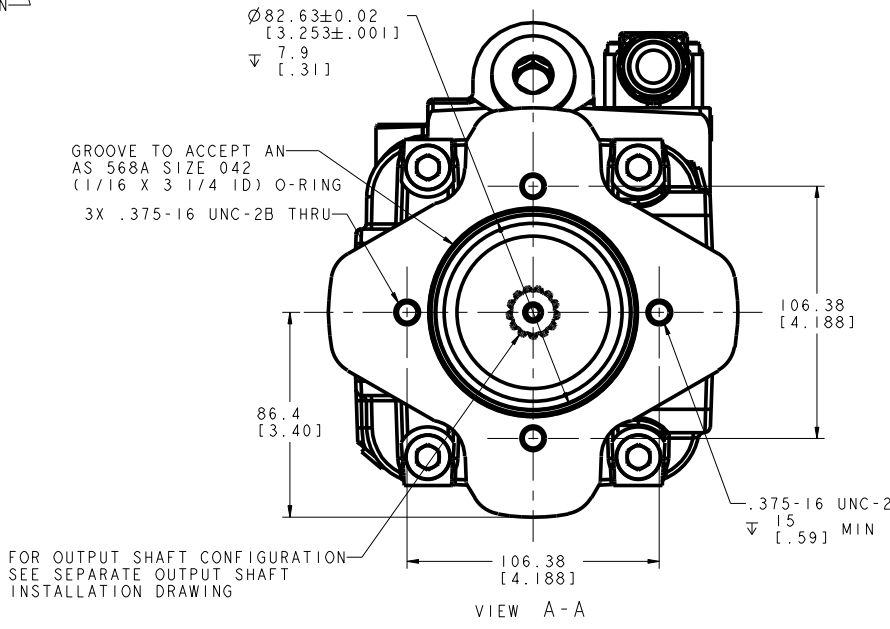
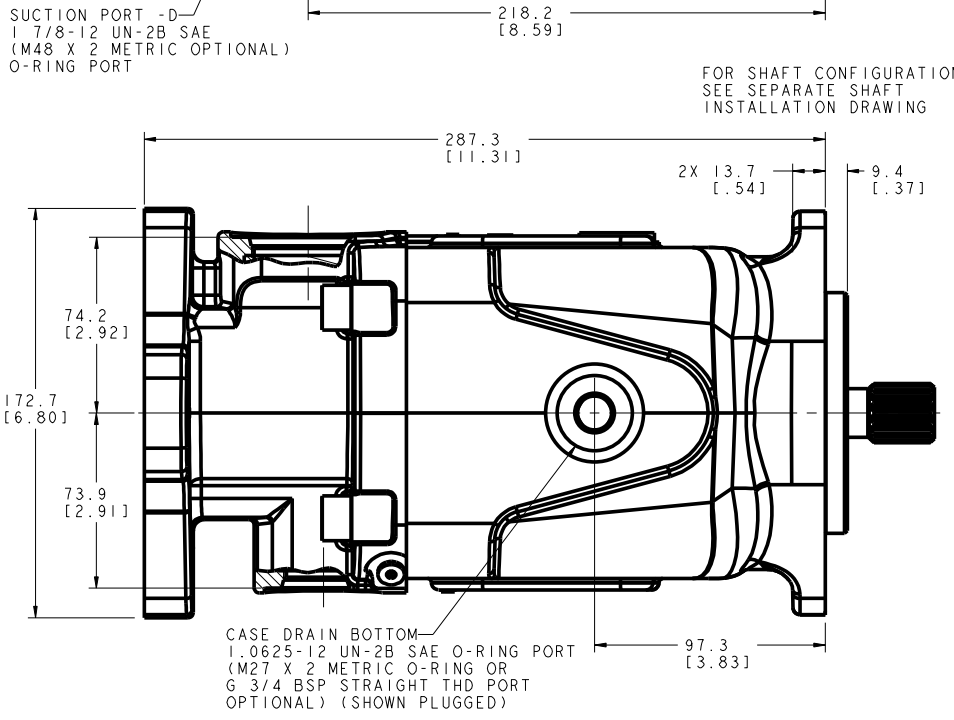
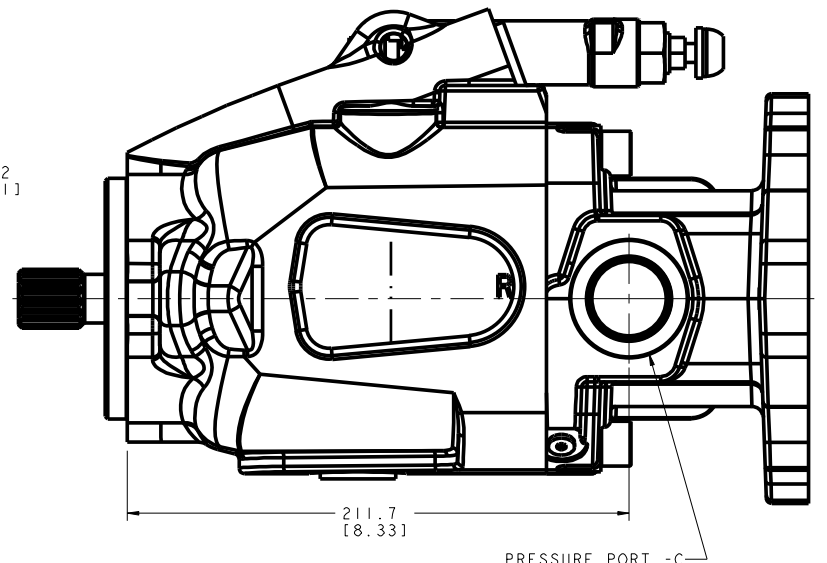
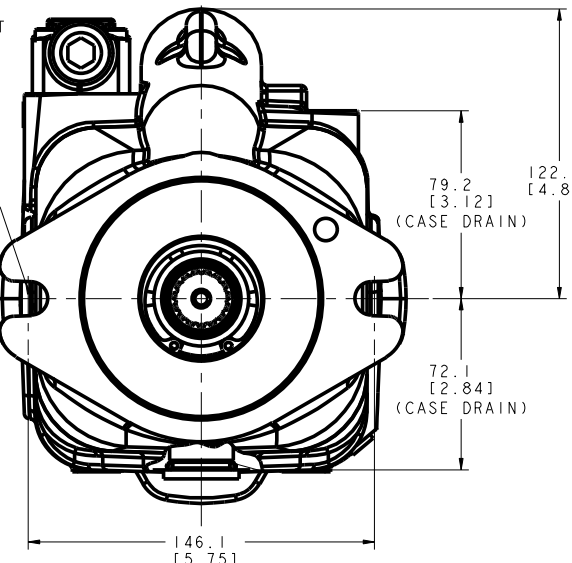
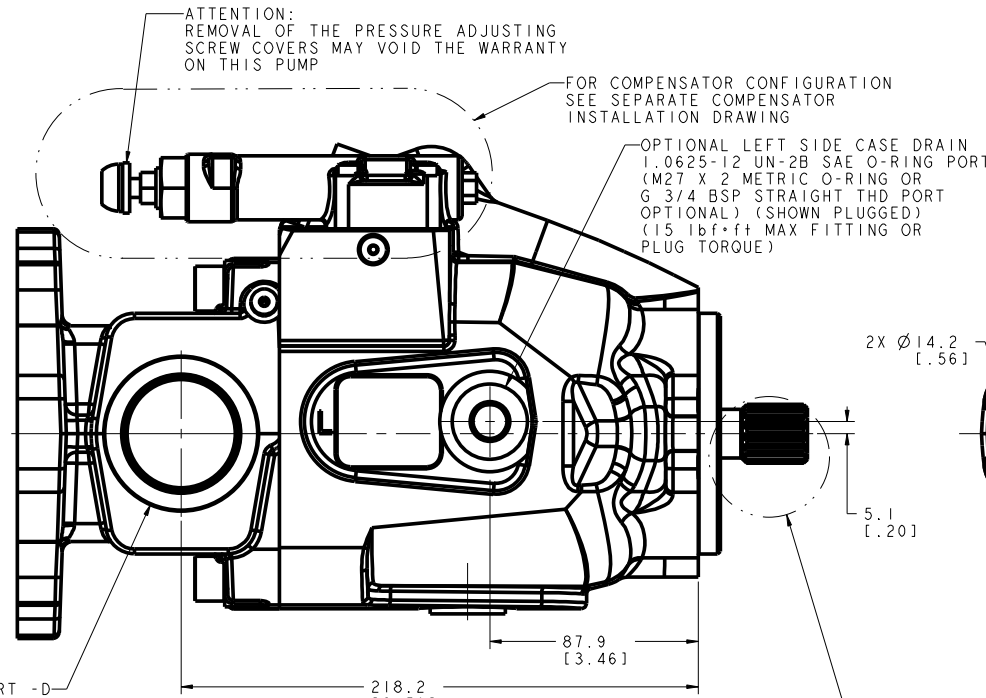
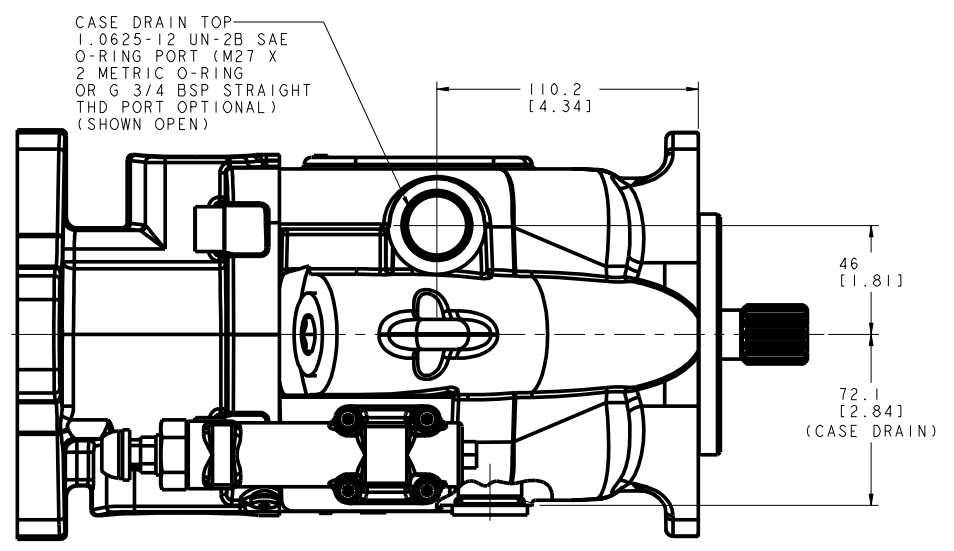


REV	DESCRIPTION	BY	CHK	DATE	ECN / MPS
A	ENGINEERING RELEASE	NWS	BMS	05-28-08	0018094



NOTE  
 1 PUMP MUST BE INSTALLED IN SUCH A POSITION THAT  
 THE CASE DRAIN ASSURES AN OIL LEVEL AT OR ABOVE  
 PUMP CENTERLINE BEFORE STARTING

REVIEWED FOR CLASSIFICATION PER ESP-042

UNLESS OTHERWISE SPECIFIED ALL DIMENSIONS ARE IN INCHES

DRAWING BASED ON ANSI Y14.5M-1982

NOTICE TO PERSONS RECEIVING THIS DRAWING AND / OR TECHNICAL INFORMATION

Eaton Corporation claims proprietary rights in the information disclosed hereon. This document is issued in confidence and is not to be reproduced or used to manufacture anything shown hereon without the written permission of the Eaton Corporation.

Eaton Hydraulic, Inc.  
 14615 Lone Oak Road  
 Eden Prairie, Mn. 55344

TOLERANCES	DRAWN NWS BY/DATE 1-10-08	MATERIAL/HEAT TREAT
-.1 ± .001	CHECKED BMS BY/DATE 1-10-08	
-.001 ± .001	ENGRS DJJ BY/DATE 1-10-08	TITLE
UNSPECIFIED RADIUS ARE:	METALLURGY BY/DATE	SERIES 420 PUMP INSTALLATION
UNSPECIFIED DRAFT ANGLES ARE:	THIRD ANGLE PROJECTION	NUMBER
DO NOT SCALE	ARITHMETICAL AVERAGE	A-3216-015
		SCALE 1/1
		SHEET 1 OF 1