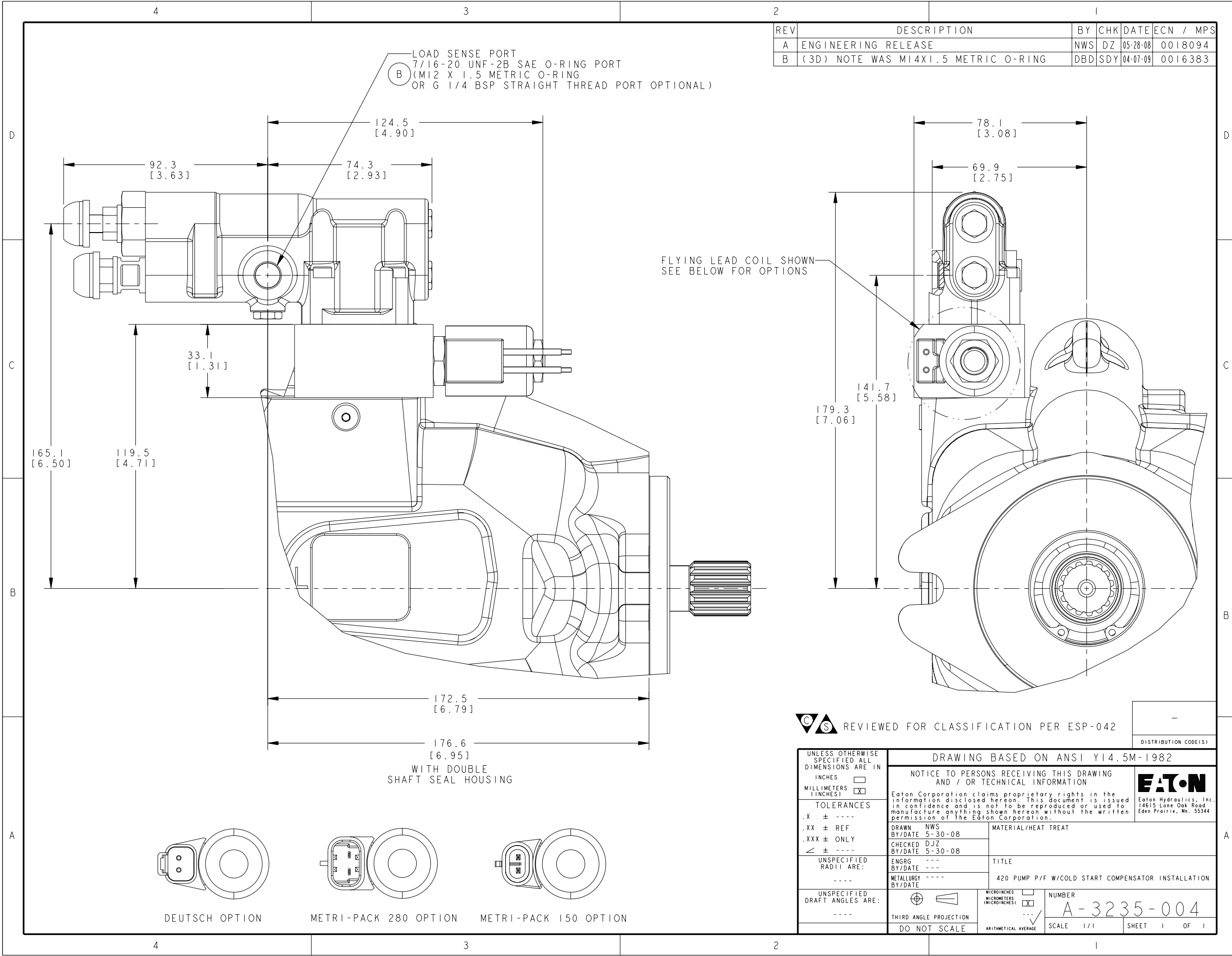


REV	DESCRIPTION	BY	CHK	DATE	ECN / MPS
A	ENGINEERING RELEASE	NWS	DZ	05-28-08	0018094
B	(3D) NOTE WAS M14X1.5 METRIC O-RING	DBD	SDY	04-07-09	0016383



REVIEWED FOR CLASSIFICATION PER ESP-042

DISTRIBUTION CODE(S)