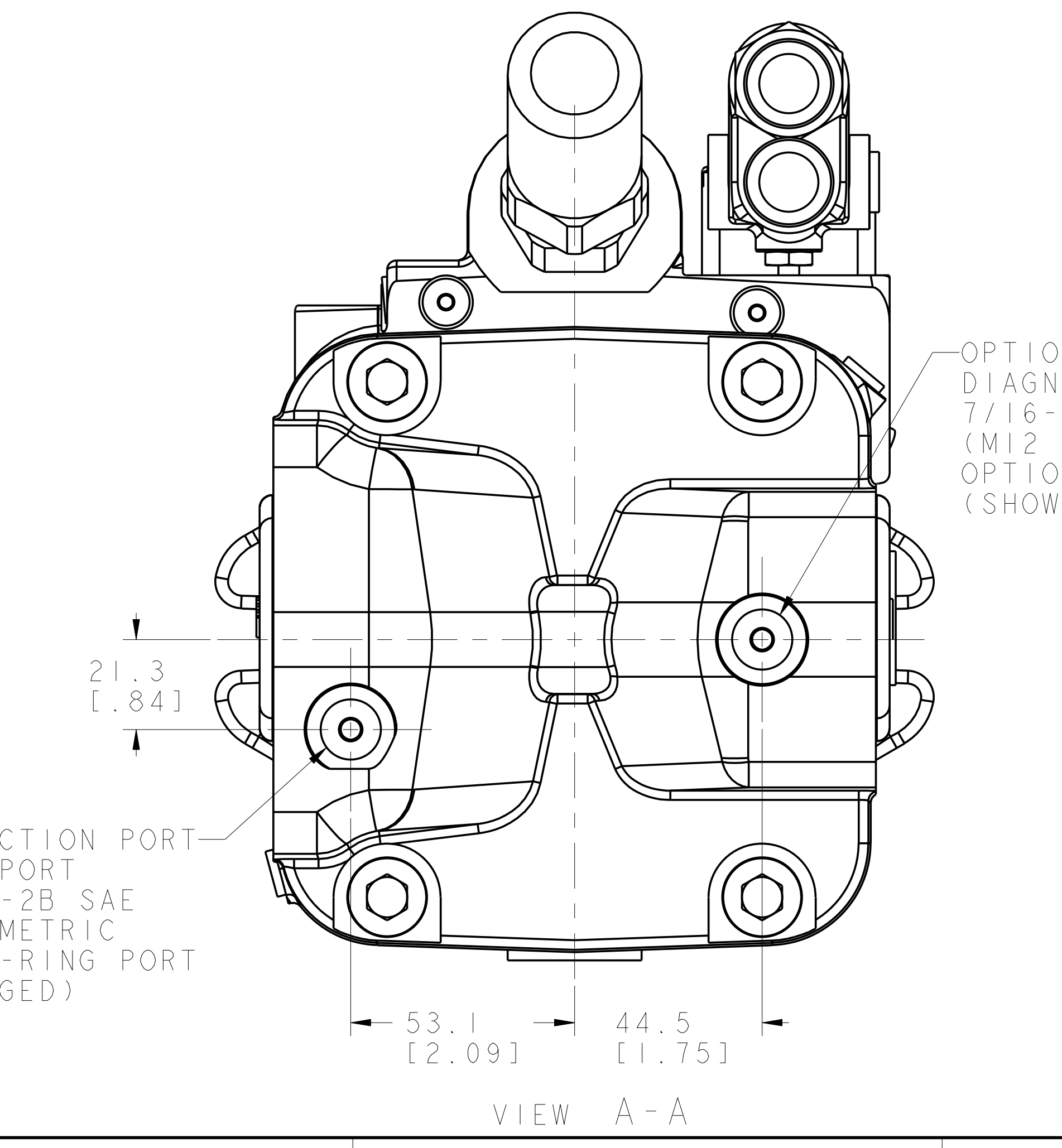
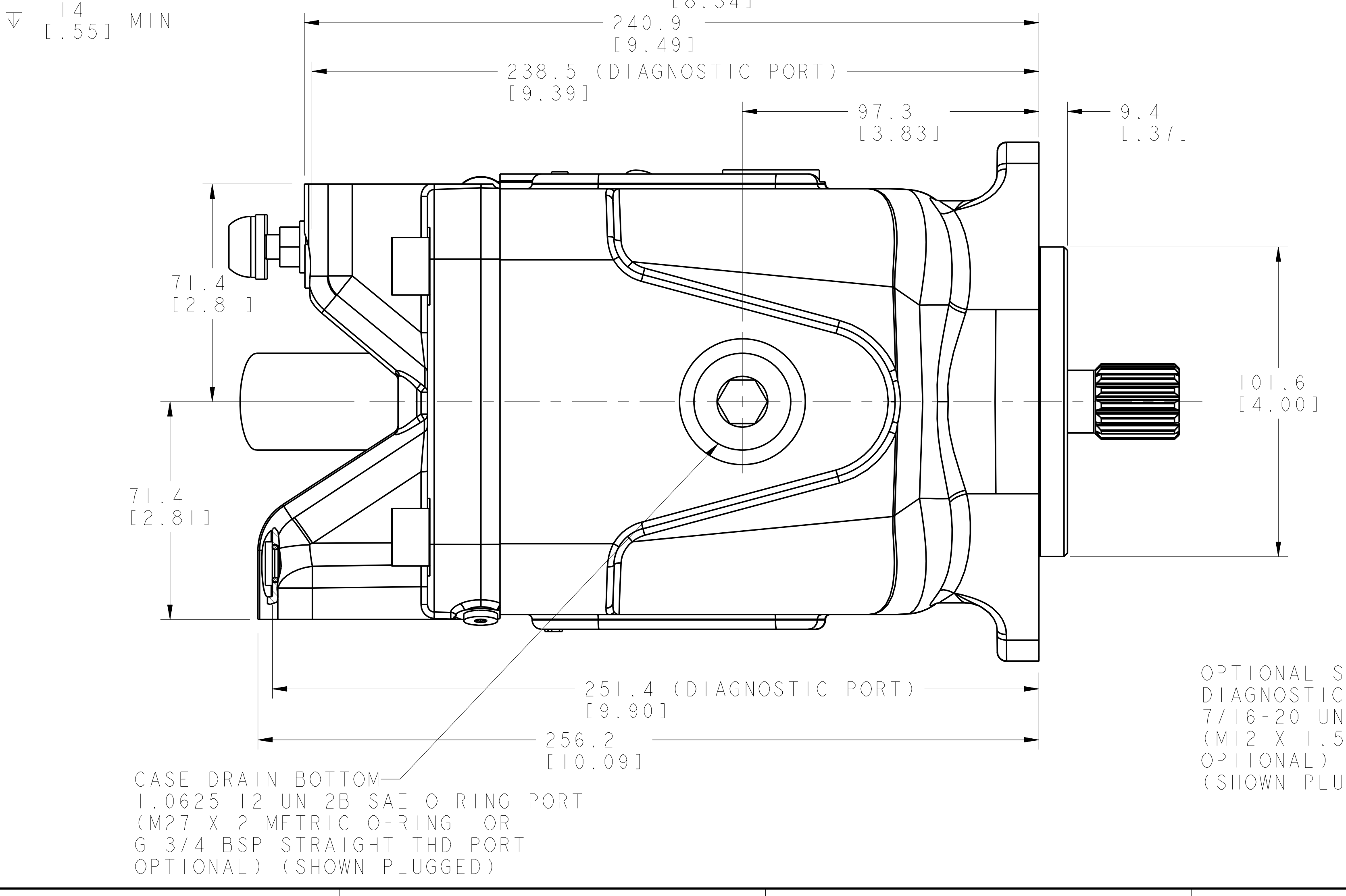
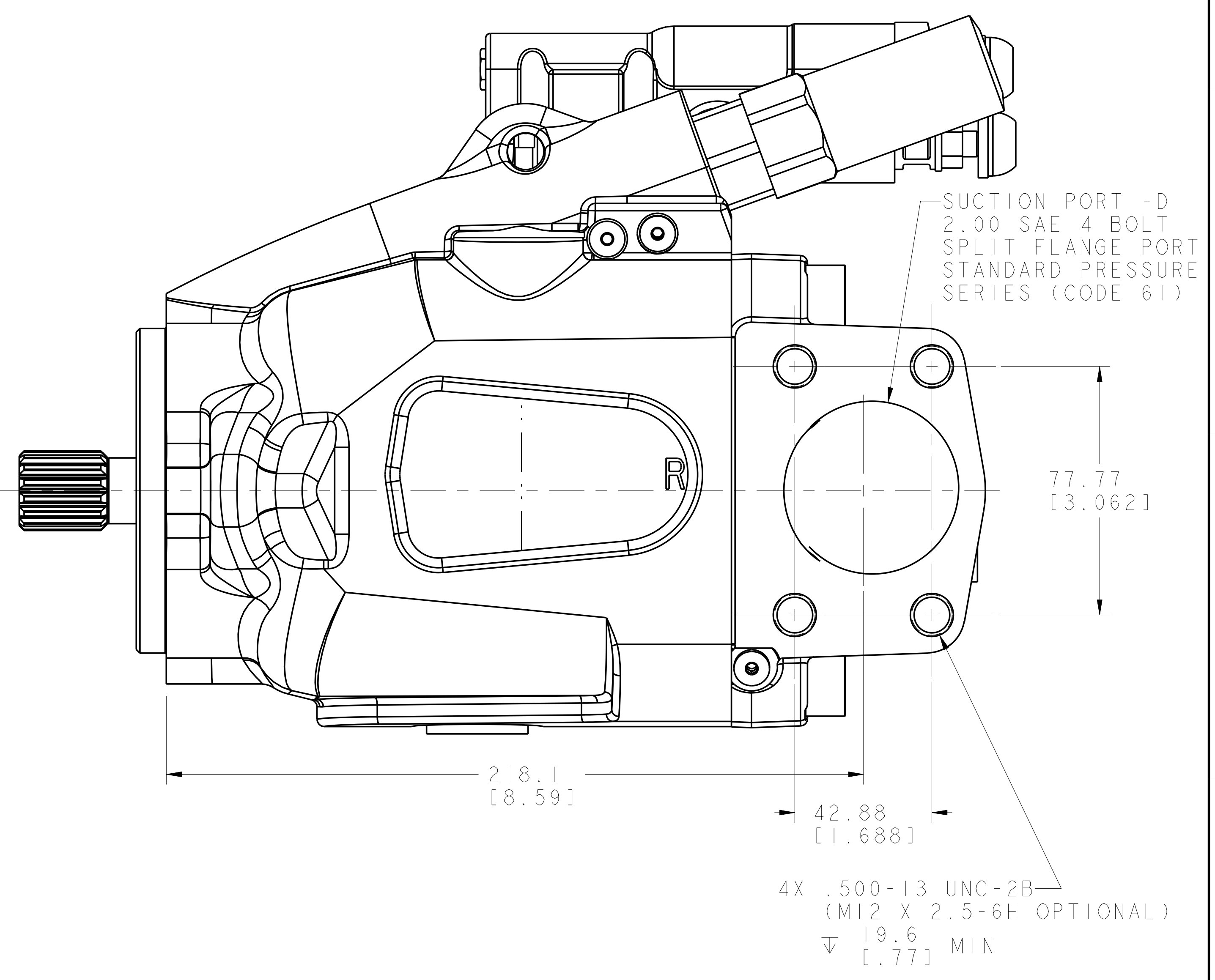
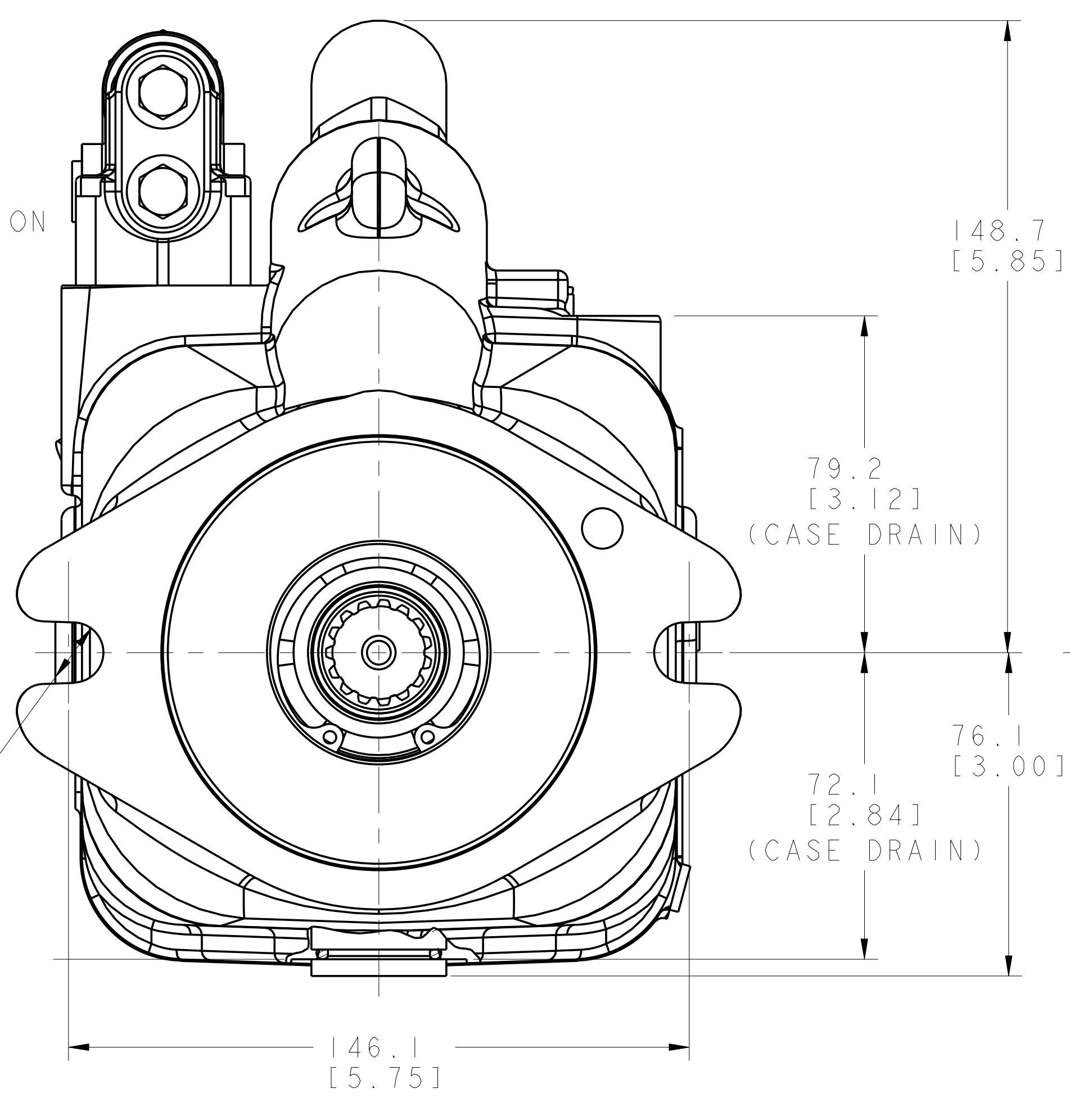
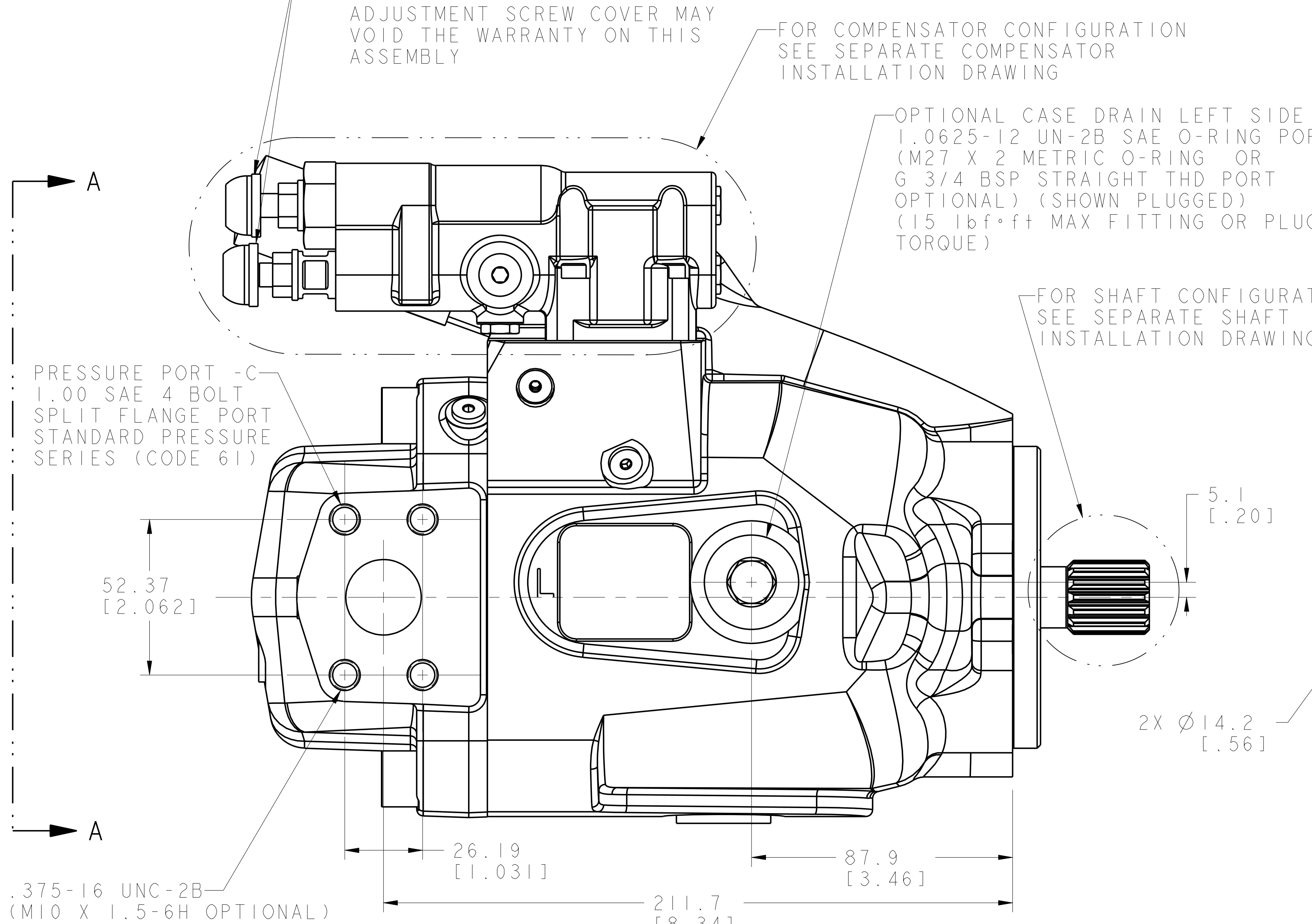
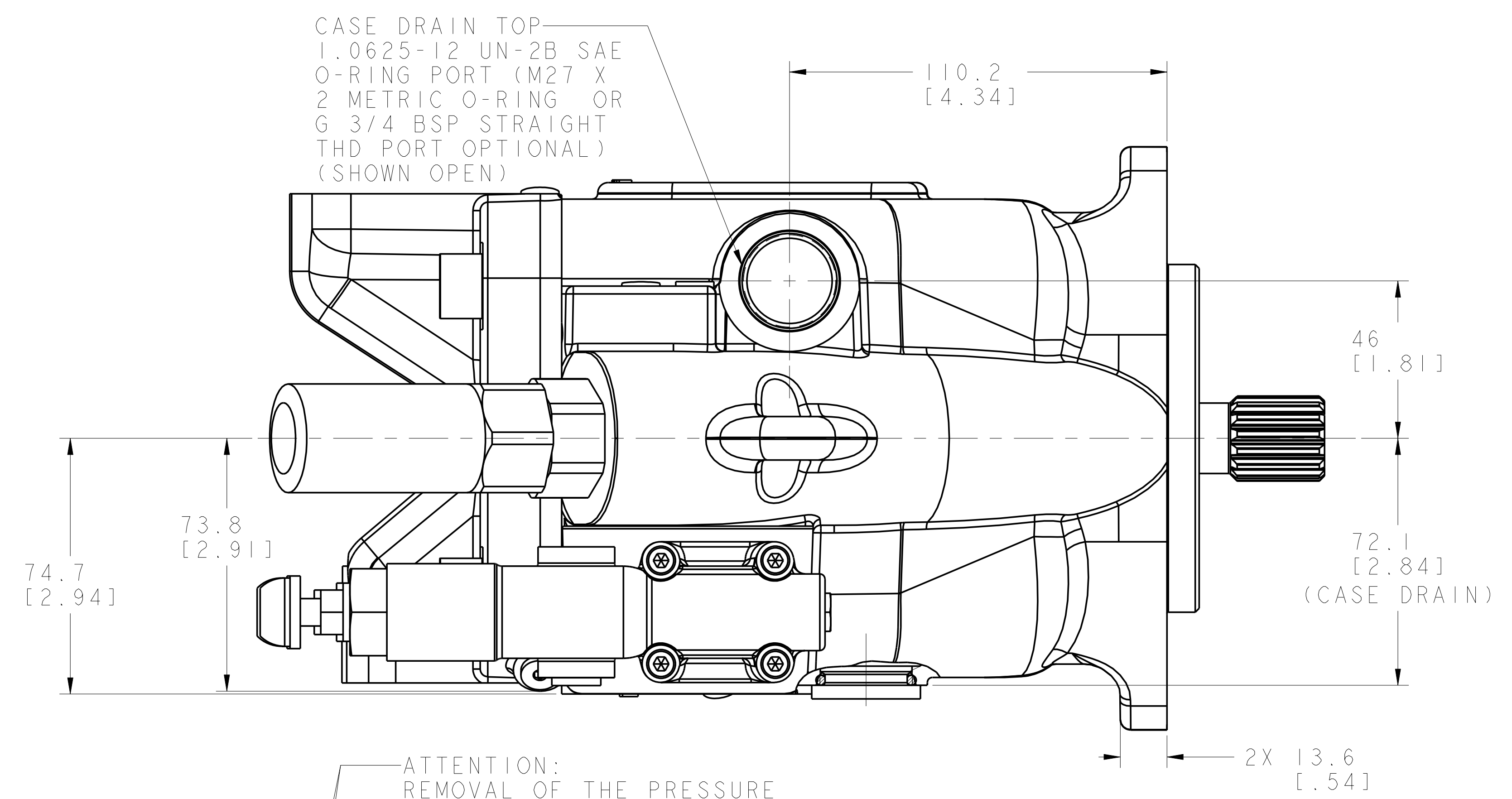


REV	DESCRIPTION	BY	CHK	DATE	ECN / MPS
A	ENGINEERING RELEASE	NWS	BMS	5-28-08	0018094



NOTE  
1 UNIT MUST BE INSTALLED IN SUCH A POSITION THAT THE CASE DRAIN ASSURES AN OIL LEVEL AT OR ABOVE UNIT CENTERLINE BEFORE STARTING

REVIEWED FOR CLASSIFICATION PER ESP-042

DRAWING BASED ON ANSI Y14.5M-1982

UNLESS OTHERWISE SPECIFIED ALL DIMENSIONS ARE IN INCHES [X] MILLIMETERS [ ] TOLERANCES .X ± .000 .XXX ± .001 .X ± .000 .XXX ± .001 UNLESS OTHERWISE SPECIFIED ALL DIMENSIONS ARE IN INCHES [X] MILLIMETERS [ ] TOLERANCES .X ± .000 .XXX ± .001 .X ± .000 .XXX ± .001 UNLESS OTHERWISE SPECIFIED ALL DIMENSIONS ARE IN INCHES [X] MILLIMETERS [ ] TOLERANCES .X ± .000 .XXX ± .001 .X ± .000 .XXX ± .001

NOTICE TO PERSONS RECEIVING THIS DRAWING AND / OR TECHNICAL INFORMATION Eaton Corporation claims proprietary rights in the information disclosed herein. This document is issued in confidence and is not to be reproduced or used to manufacture anything shown herein without the written permission of the Eaton Corporation.

14615 Lone Oak Road Eden Prairie, Mn. 55344

DRAWN NWS BY/DATE 12-27-07 MATERIAL/HEAT TREAT  
CHECKED BMS BY/DATE 12-27-07  
ENGRG DJZ BY/DATE 12-27-07 TITLE  
METALLURGY BY/DATE

SERIES 420 PUMP INSTALLATION

NUMBER A-3359-004

SCALE 1/1 SHEET 1 OF 1