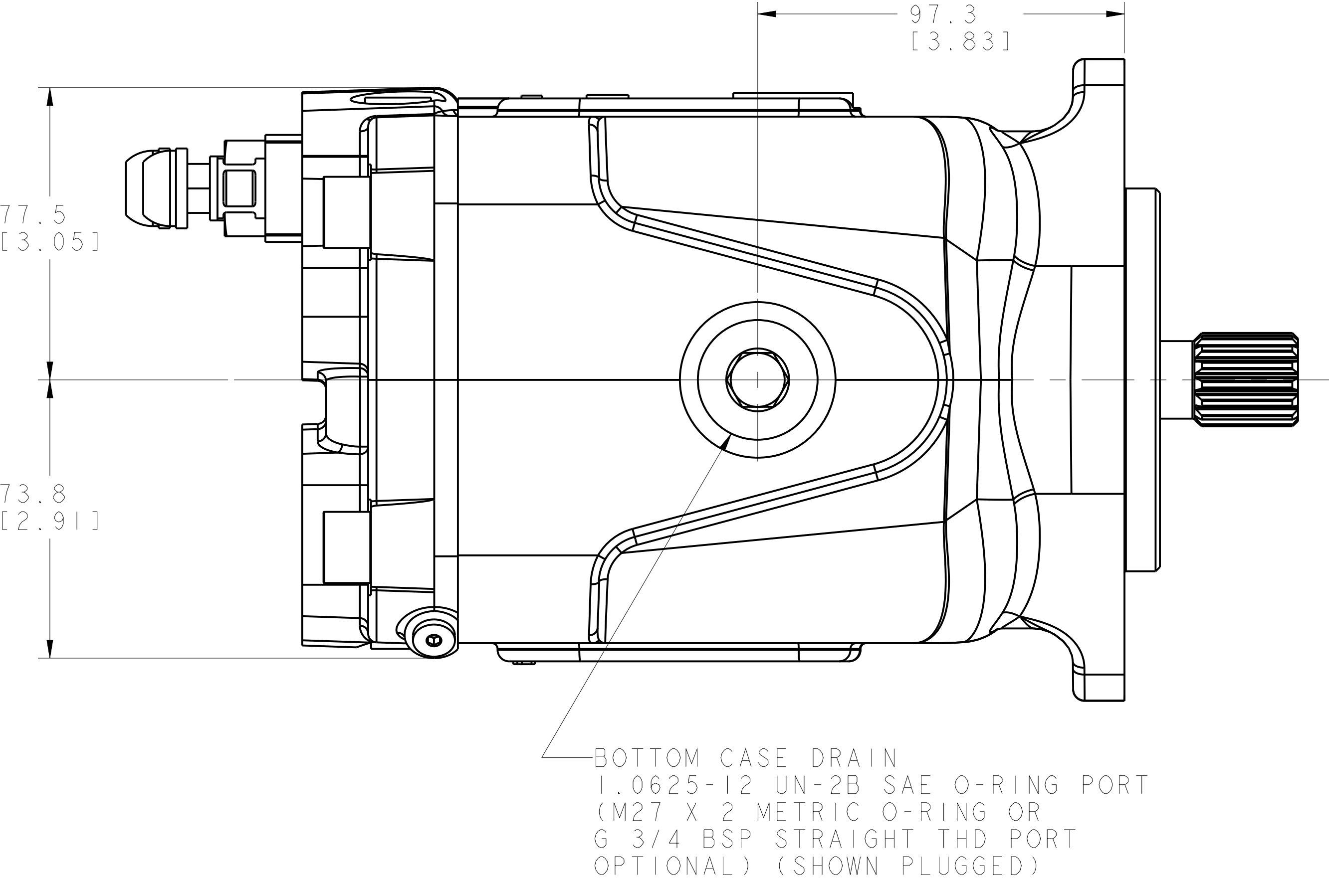
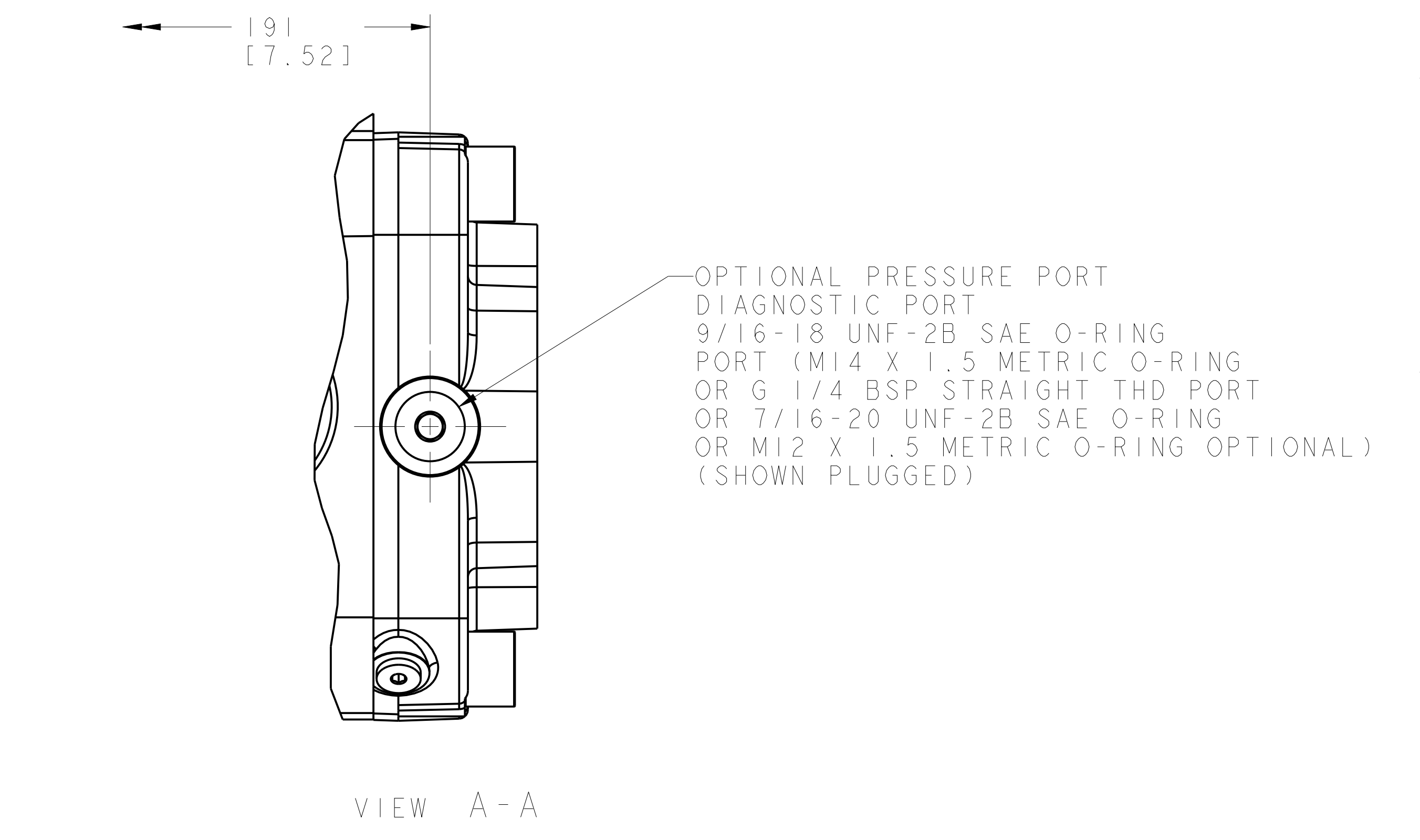
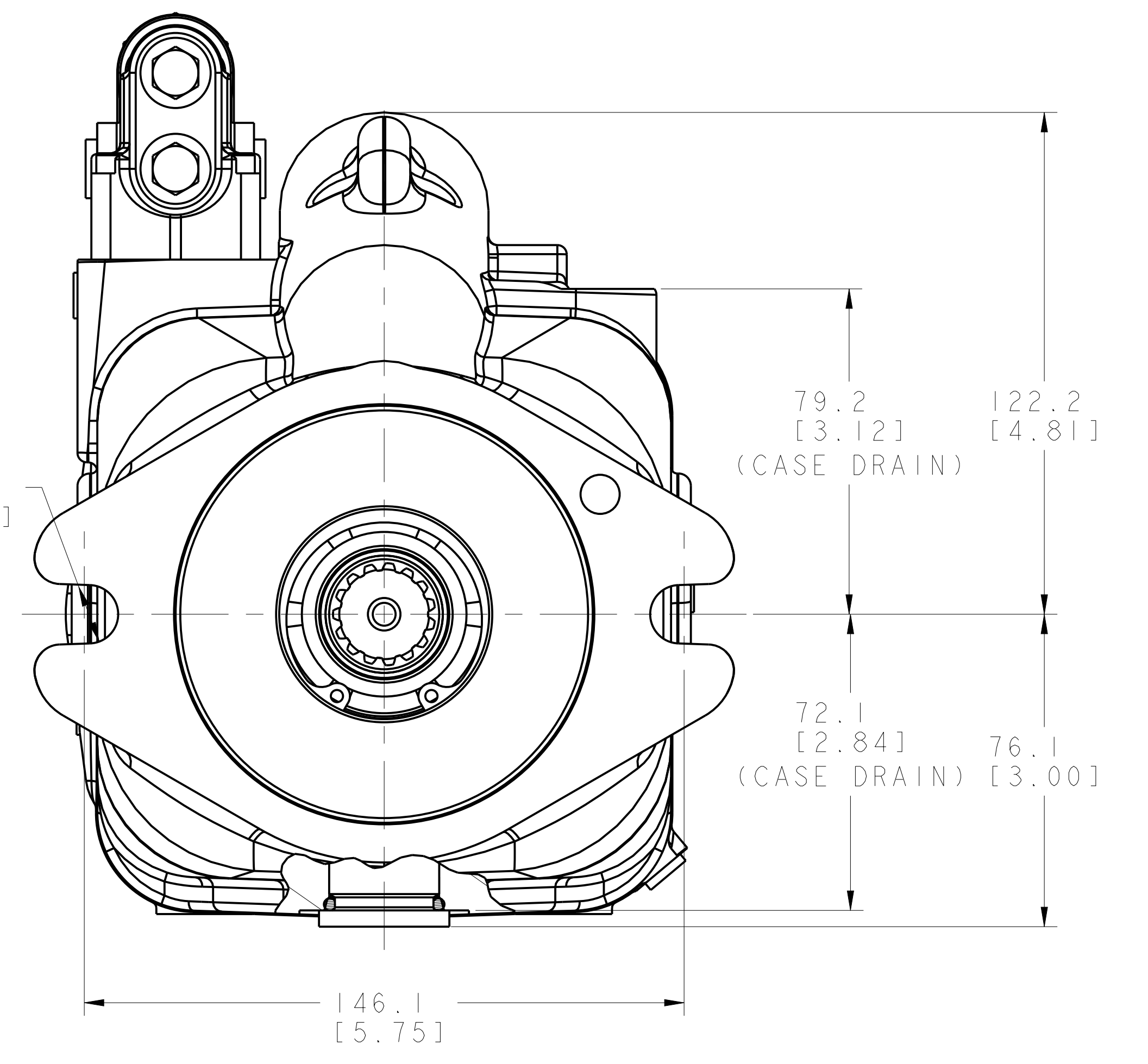
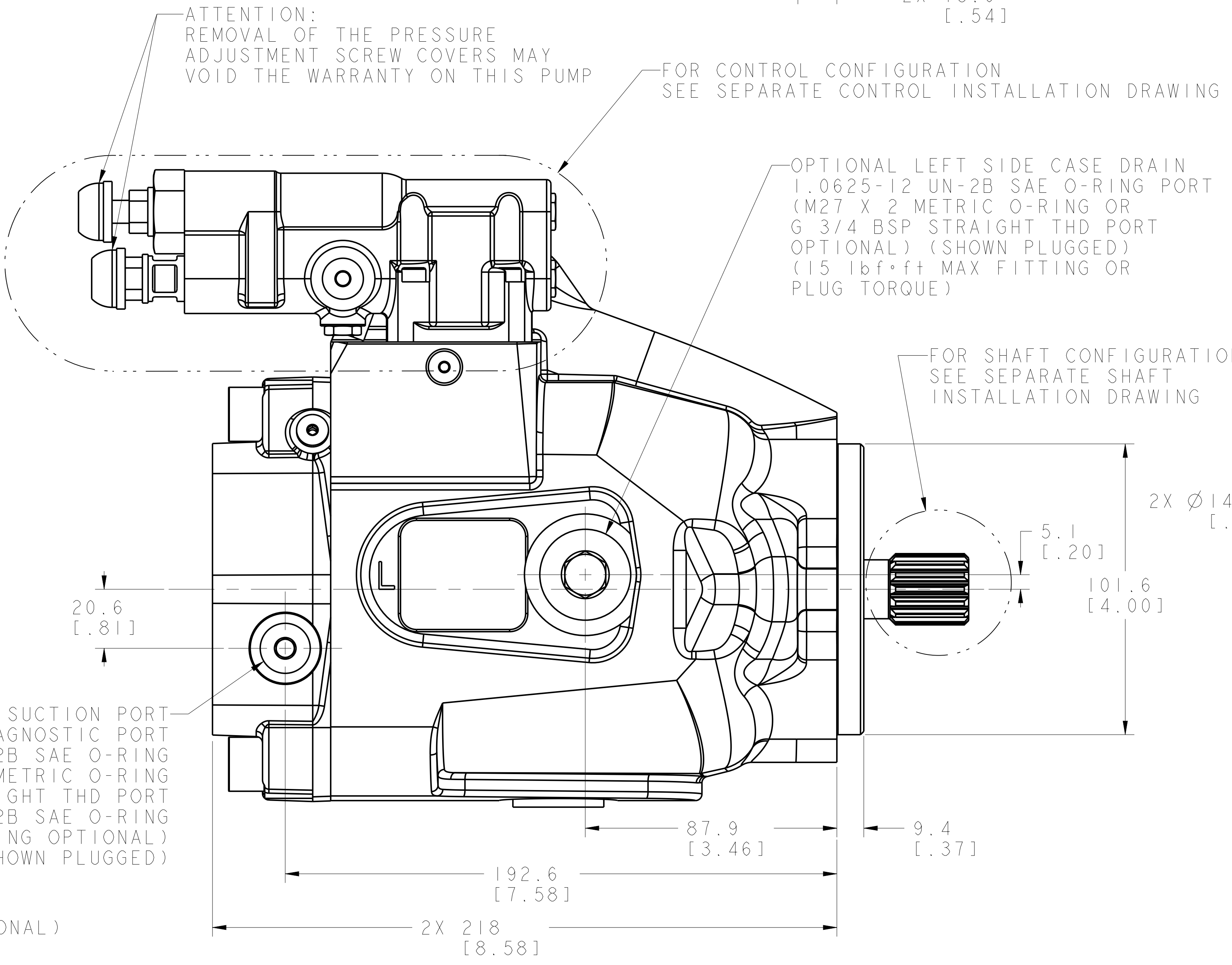
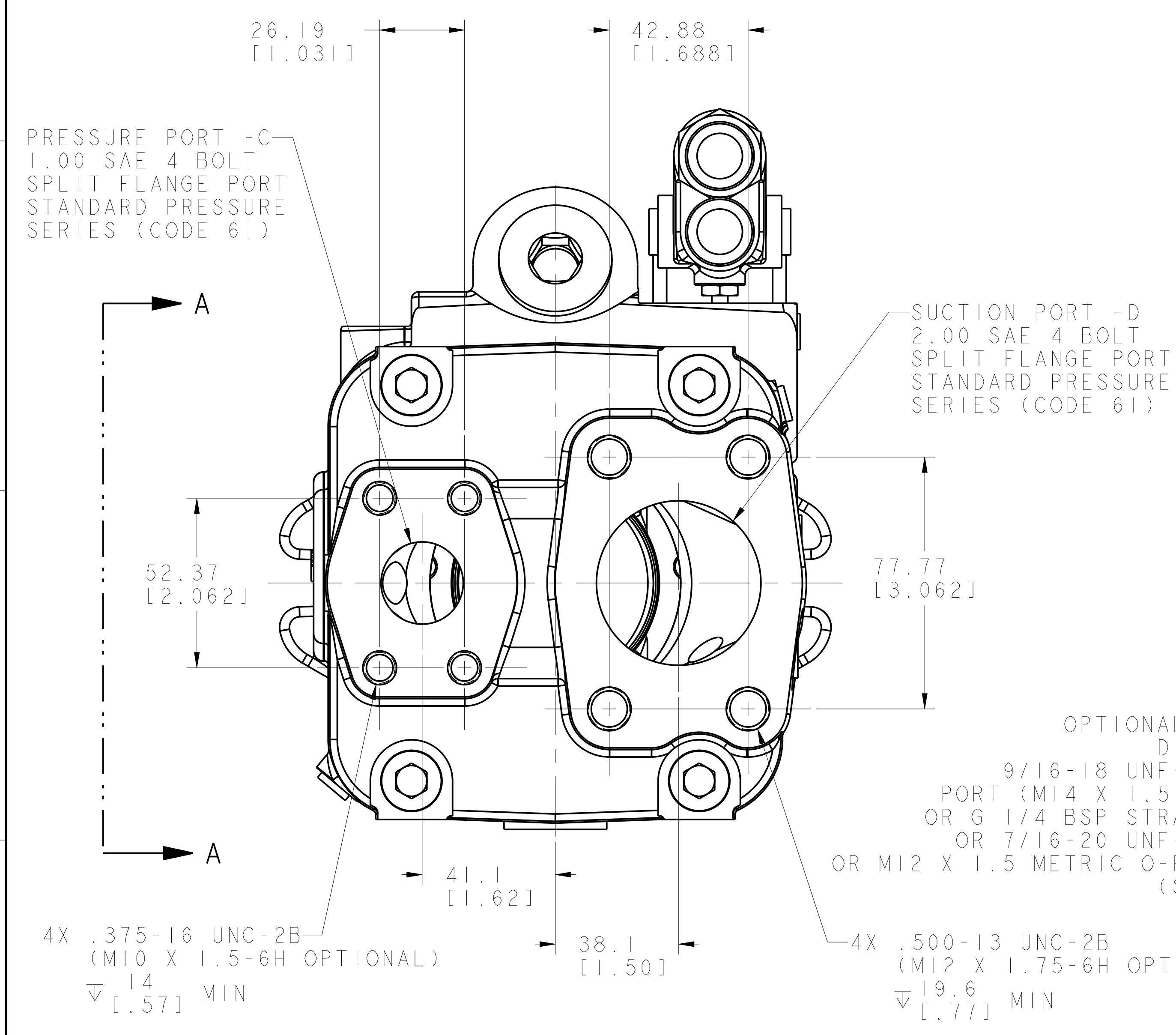
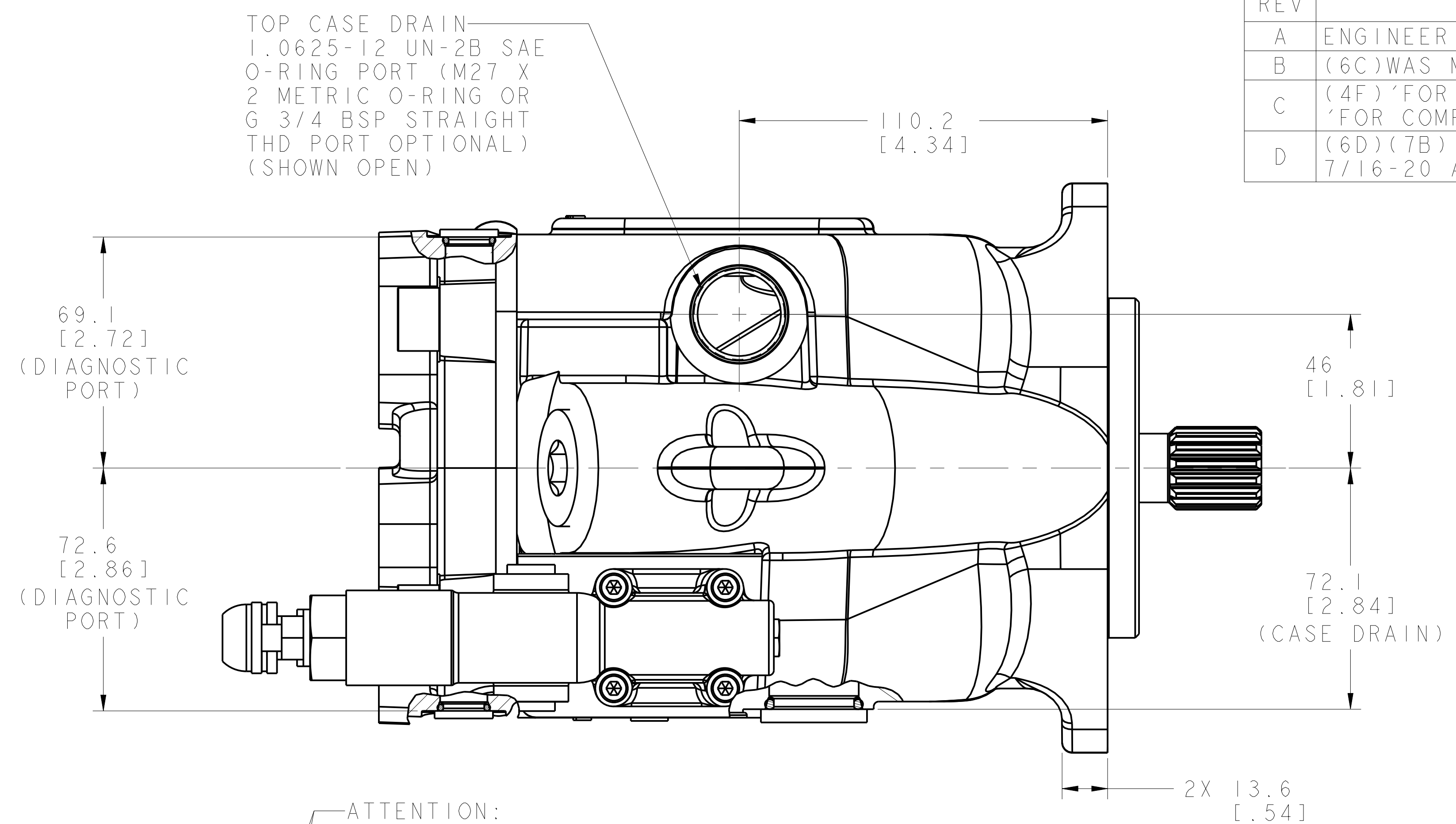


REV	DESCRIPTION	BY	CHK	DATE	ECN / MPS
A	ENGINEERING RELEASE	NWS	BMS	05-28-08	0018094
B	(6C) WAS M12 X 2.5-6H	MKS	MKS	4/10/09	0016471
C	(4F) 'FOR CONTROL CONF... INSTALLATION DRAWING' WAS 'FOR COMPENSATOR CONF... INSTALLATION DRAWING'	ADP	SPV	11/20/13	M91098
D	(6D)(7B) ADDED OPTIONAL DIAGNOSTIC PORT OPTIONS 7/16-20 AND M12 X 1.5 METRIC	MMG	SDM	01/21/16	M99361



NOTE  
 1 PUMP MUST BE INSTALLED IN SUCH A POSITION THAT THE CASE DRAIN ASSURES AN OIL LEVEL AT OR ABOVE PUMP CENTER LINE BEFORE STARTING

REVIEWED FOR CLASSIFICATION PER ESP-042

UNLESS OTHERWISE SPECIFIED ALL DIMENSIONS ARE IN INCHES <input type="checkbox"/> MILLIMETERS <input checked="" type="checkbox"/>		DRAWING BASED ON ASME Y14.5-2009	
EATON CORPORATION - CONFIDENTIAL AND PROPRIETARY NOTICE TO PERSONS RECEIVING THIS DRAWING		<b>EATON</b>	
THIS DOCUMENT, INCLUDING THE DRAWING AND INFORMATION CONTAINED THEREON, IS CONFIDENTIAL AND IS THE EXCLUSIVE PROPERTY OF EATON CORPORATION, AND IS HEREBY ON LOAN AND SUBJECT TO RECALL BY EATON AT ANY TIME. BY TAKING POSSESSION OF THIS DOCUMENT, THE RECIPIENT KNOWLEDGES AND AGREES THAT THIS DOCUMENT CANNOT BE USED IN ANY MANNER ADVERSE TO THE INTERESTS OF EATON, AND THAT NO PORTION OF THIS DOCUMENT MAY BE COPIED OR OTHERWISE REPRODUCED WITHOUT THE PRIOR WRITTEN CONSENT OF EATON. IN THE CASE OF CONFLICTING CONTRACTUAL PROVISIONS, THIS NOTICE SHALL GOVERN THE STATUS OF THIS DOCUMENT. COPYRIGHT 2008 EATON CORPORATION. ALL RIGHTS RESERVED.		Powering Business Worldwide Eaton Hydraulics Inc. 14615 Lone Oak Road Eaton Prairie, MN 55344 USA	
TOLERANCES .x ± .000 .xx ± REF .xxx ± ONLY < ± .000		MATERIAL/HEAT TREAT	
UNSPECIFIED RADII ARE: ----		TITLE	
UNSPECIFIED DRAFT ANGLES ARE: ----		SERIES 420 PUMP INSTALLATION	
E SIZE		NUMBER A-3215-001	
THIRD ANGLE PROJECTION DO NOT SCALE		SCALE 1/1 SHEET 1 OF 1	