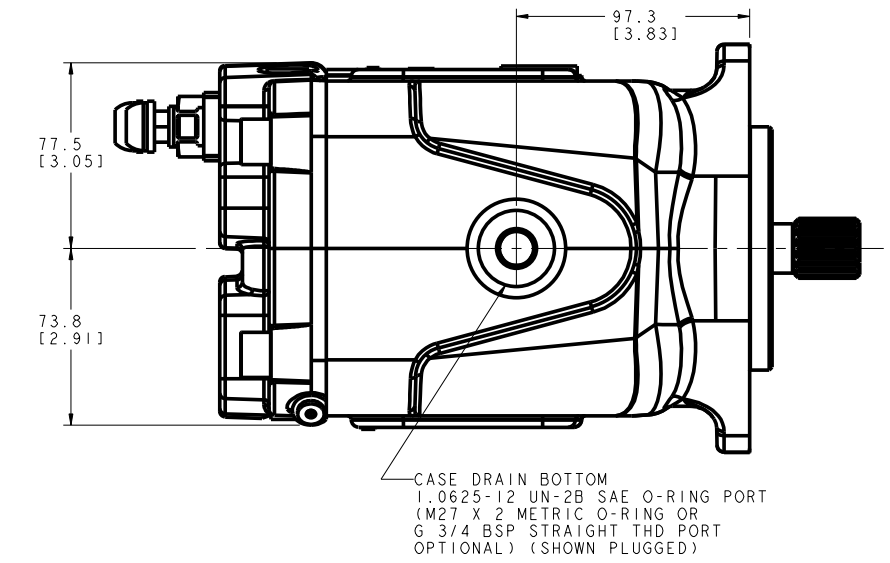
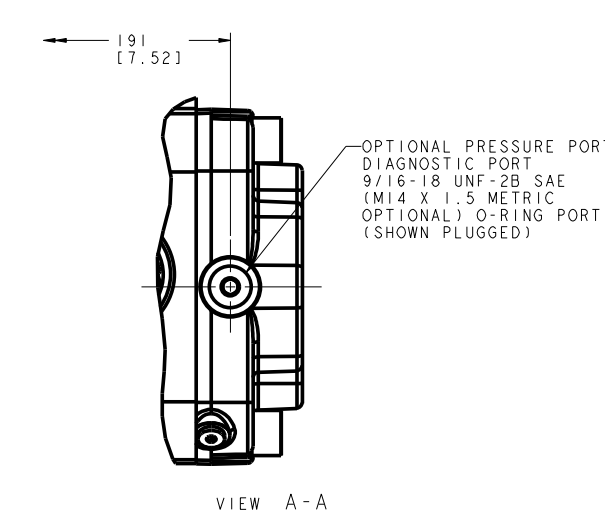
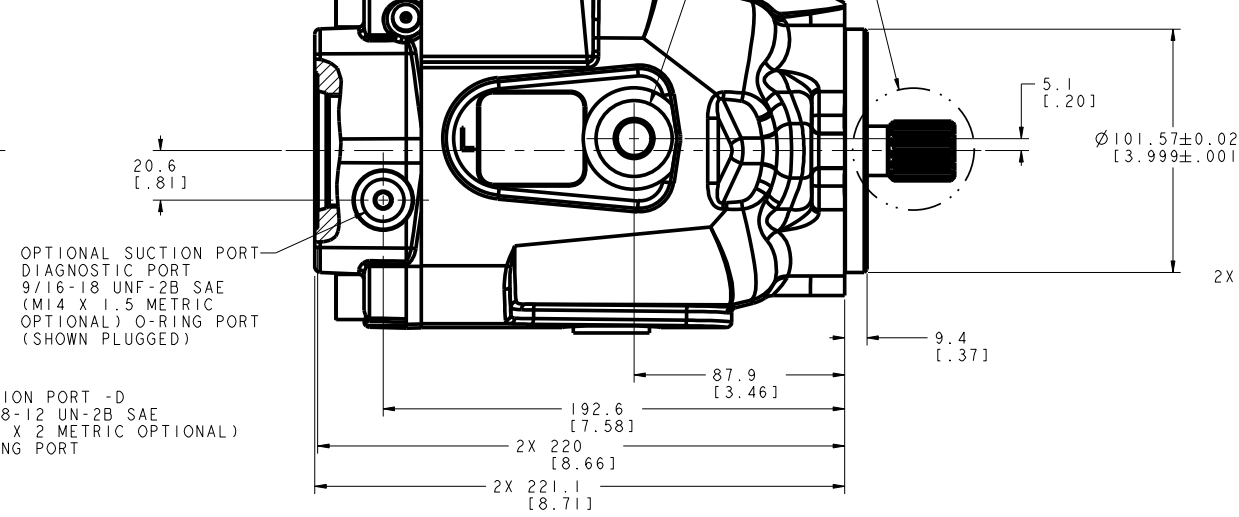
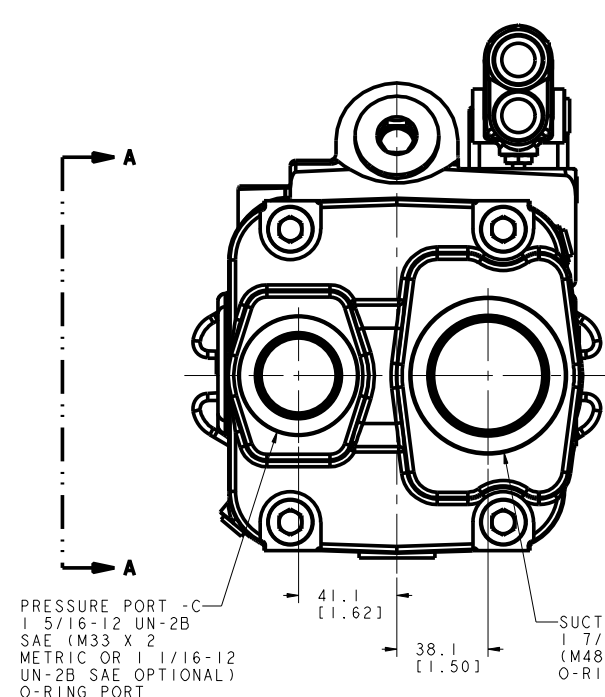
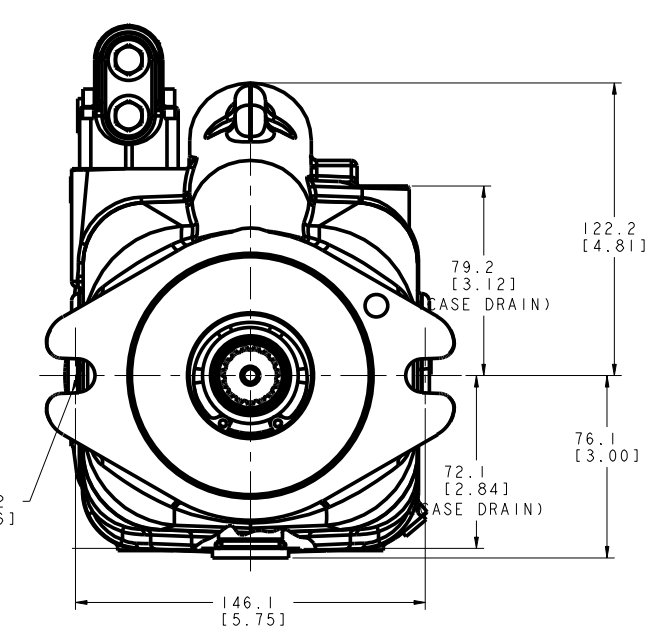
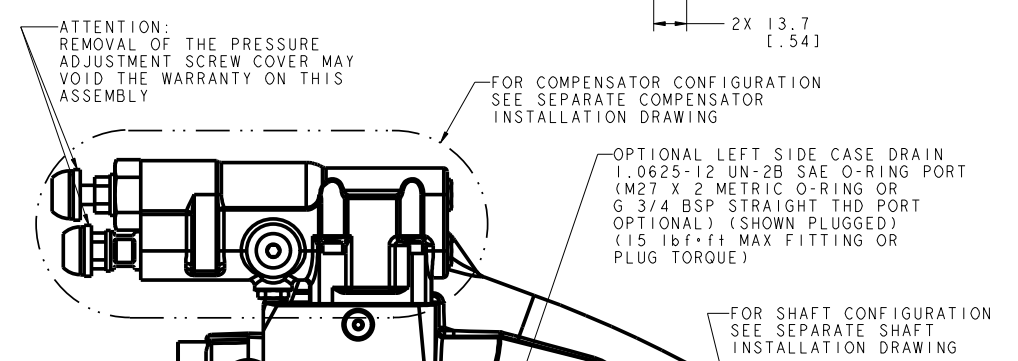
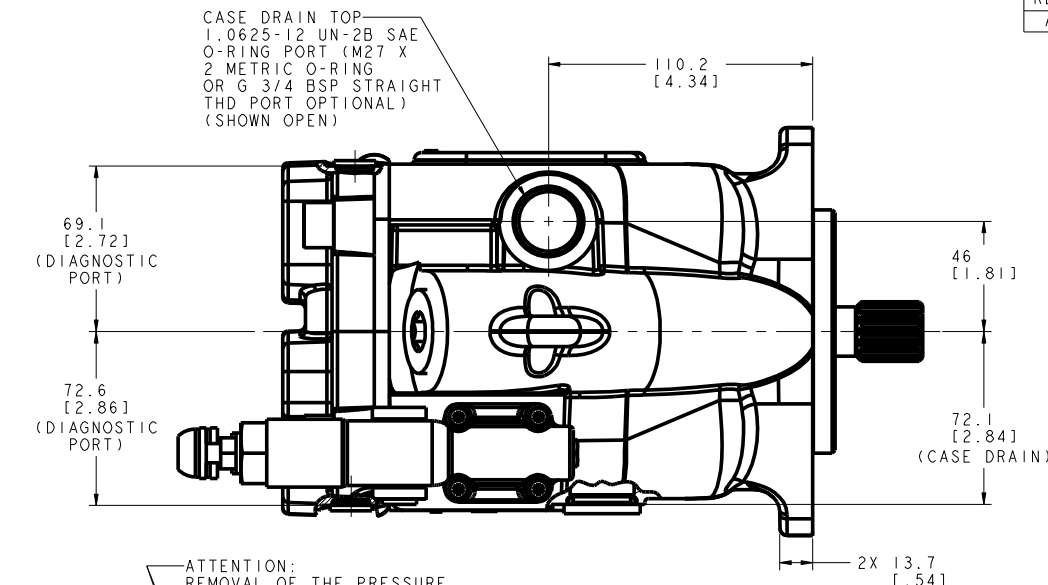


REV	DESCRIPTION	BY	CHK	DATE	ECN / MPS
A	ENGINEERING RELEASE	NWS	BMS	05-28-08	0018094



NOTE  
1 UNIT MUST BE INSTALLED IN SUCH A POSITION THAT THE CASE DRAIN ASSURES AN OIL LEVEL AT OR ABOVE UNIT CENTER LINE BEFORE STARTING

REVIEWED FOR CLASSIFICATION PER ESP-042

DRAWING BASED ON ANSI Y14.5M-1982

UNLESS OTHERWISE SPECIFIED ALL DIMENSIONS ARE IN INCHES [MILLIMETERS (INCHES)]

TOLERANCES  
 .X ± .005  
 .XX ± REF  
 .XXX ± ONLY  
 < ± .005

UNSPECIFIED RADII ARE: .005  
 UNSPECIFIED DRAFT ANGLES ARE: 1:4

THIRD ANGLE PROJECTION  
DO NOT SCALE

NOTICE TO PERSONS RECEIVING THIS DRAWING AND / OR TECHNICAL INFORMATION  
 Eaton Corporation claims proprietary rights in the information disclosed hereon. This document is issued in confidence and is not to be reproduced or used to manufacture anything shown hereon without the written permission of the Eaton Corporation.

Eaton  
 Eaton Hydraulics, Inc.  
 14615 Lone Oak Road  
 Eden Prairie, Mn. 55344

MATERIAL/HEAT TREAT

TITLE  
 SERIES 420 PUMP INSTALLATION

NUMBER  
 A-3215-005

SCALE 1/1 SHEET 1 OF 1