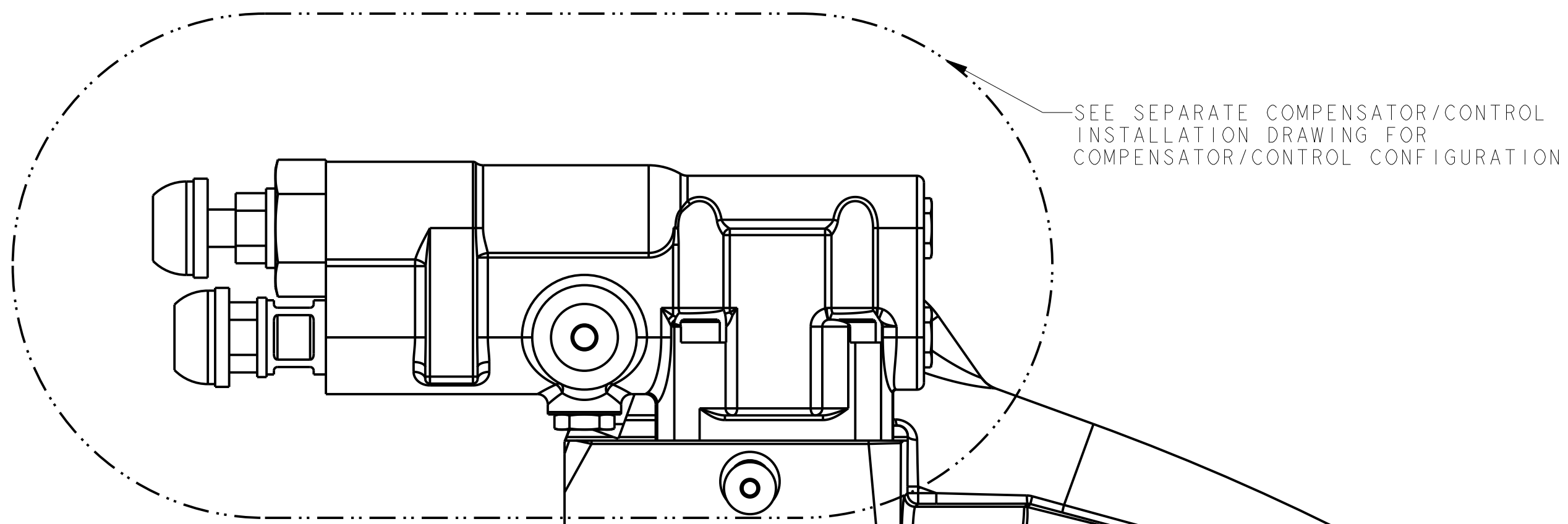
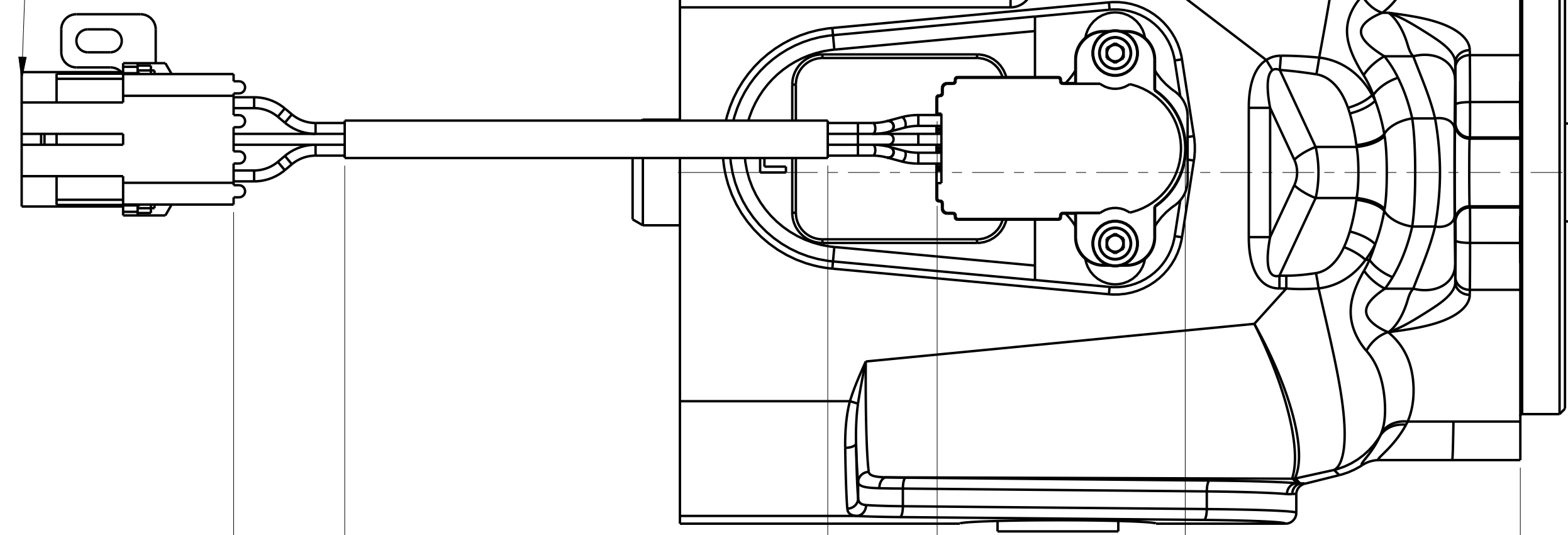


REV	DESCRIPTION	BY	CHK	DATE	ECN / MPS
A	ENGINEERING RELEASE	DBD	SDY	08-21-08	0021240
B	REVISED	GTB	KBK	08-31-17	CR-0082463

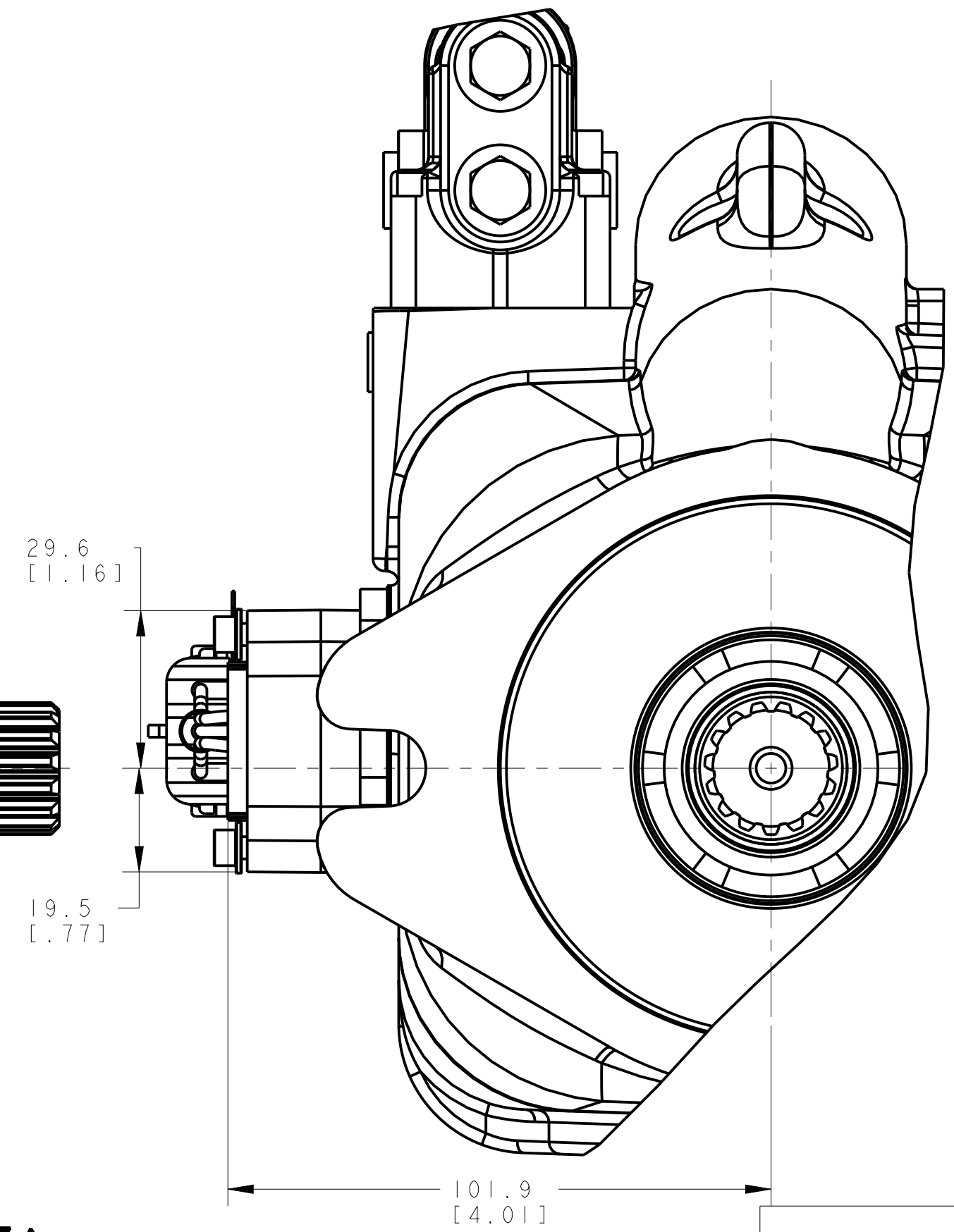


MATING CONNECTOR  
 DELPHI-PACKARD WEATHER PACK  
 PN 12015793 3 WAY CONNECTOR (TOWER) QTY 1  
 PN 12089188 PIN TERMINAL QTY 3  
 PN 12015323 CABLE SEAL QTY 3



101.6±7.6 [4.00±.30]  
 148±12.7 [5.83±.50]  
 52.2 [2.05]  
 70.5 [2.77]  
 83.2 [3.28]

WITH DOUBLE  
 SHAFT SEAL



29.6 [1.16]  
 19.5 [.77]  
 101.9 [4.01]

REVIEWED FOR CLASSIFICATION PER ESP-042

DISTRIBUTION CODE(S)

UNLESS OTHERWISE SPECIFIED ALL DIMENSIONS ARE IN INCHES <input type="checkbox"/> MILLIMETERS (INCHES) <input checked="" type="checkbox"/> <b>TOLERANCES</b> .X ± --- .XX ± REF .XXX ± ONLY < ± --- UNSPECIFIED RADII ARE: --- UNSPECIFIED DRAFT ANGLES ARE: ---	DRAWING BASED ON ANSI Y14.5M-1982		
	NOTICE TO PERSONS RECEIVING THIS DRAWING AND / OR TECHNICAL INFORMATION Eaton Corporation claims proprietary rights in the information disclosed hereon. This document is issued in confidence and is not to be reproduced or used to manufacture anything shown hereon without the written permission of the Eaton Corporation.		
	DRAWN DBD BY/DATE 08-28-08 CHECKED SDY BY/DATE 08-28-08 ENGRG DJZ BY/DATE 08-28-08 METALLURGY --- BY/DATE	MATERIAL/HEAT TREAT TITLE 420 PUMP SWASH SENSOR INSTALL	
	THIRD ANGLE PROJECTION DO NOT SCALE	MICROINCHES <input checked="" type="checkbox"/> MICROMETERS <input type="checkbox"/> ARITHMETICAL AVERAGE	NUMBER A-3301-001 SCALE 1/1 SHEET 1 OF 1

