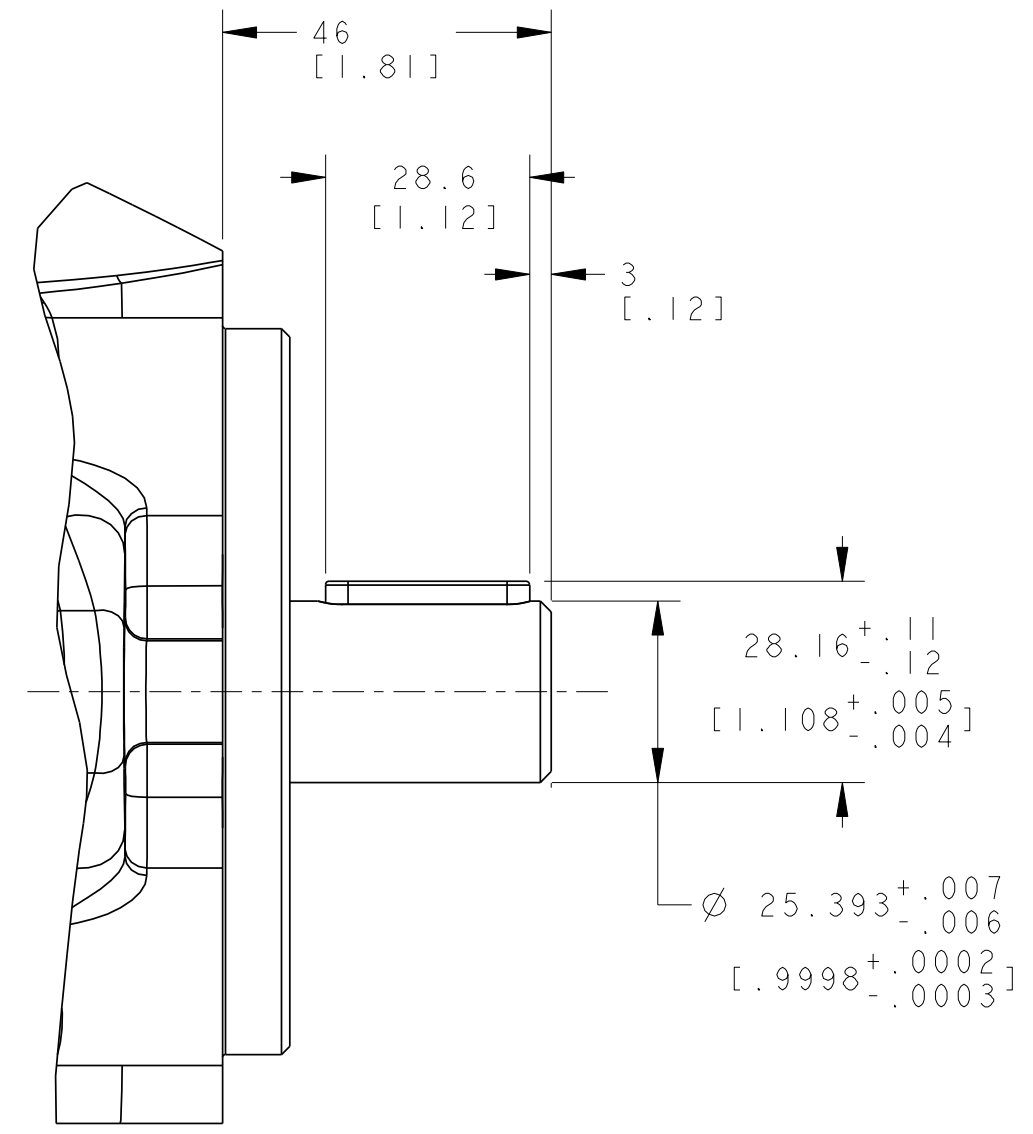
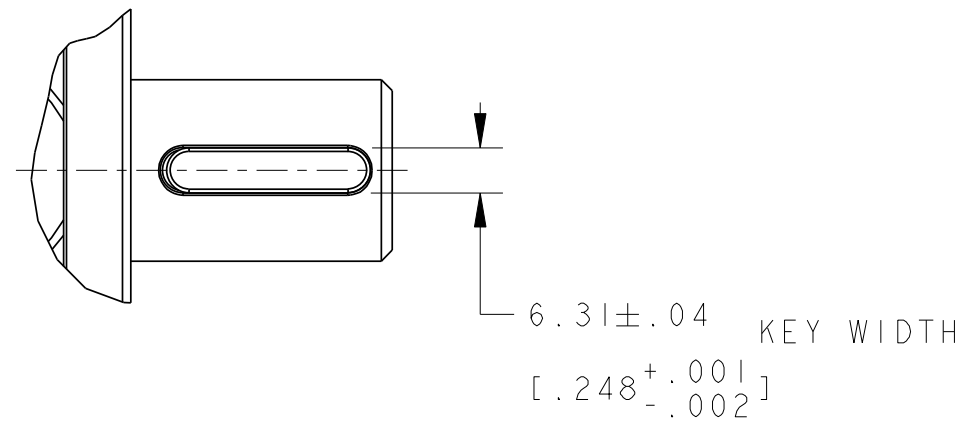


REV	DESCRIPTION	BY	CHK	DATE	ECN / MPS
A	ENGINEERING RELEASE	NWS	BMS	5-28-08	0018094



UNLESS OTHERWISE SPECIFIED ALL DIMENSIONS ARE IN INCHES <input type="checkbox"/> MILLIMETERS (INCHES) <input checked="" type="checkbox"/>	DRAWING BASED ON ANSI Y14.5M-1982	
<b>TOLERANCES</b> .X ± ---- .XX ± REF .XXX ± ONLY < ± ---- UNSPECIFIED RADII ARE: ---- UNSPECIFIED DRAFT ANGLES ARE: ----	NOTICE TO PERSONS RECEIVING THIS DRAWING AND / OR TECHNICAL INFORMATION Eaton Corporation claims proprietary rights in the information disclosed hereon. This document is issued in confidence and is not to be reproduced or used to manufacture anything shown hereon without the written permission of the Eaton Corporation.	
DRAWN NWS BY/DATE 1-29-08 CHECKED BMS BY/DATE 1-29-08 ENGRG DJZ BY/DATE 1-29-08 METALLURGY BY/DATE	MATERIAL/HEAT TREAT \	TITLE 421 PUMP INPUT SHAFT INSTALL
MICROINCHES <input type="checkbox"/> MICROMETERS (MICROINCHES) <input checked="" type="checkbox"/>	NUMBER A-3234-004	ARITHMETICAL AVERAGE <input checked="" type="checkbox"/> SCALE 1/1 SHEET 1 OF 1
<input checked="" type="checkbox"/> <input type="checkbox"/> THIRD ANGLE PROJECTION DO NOT SCALE		

