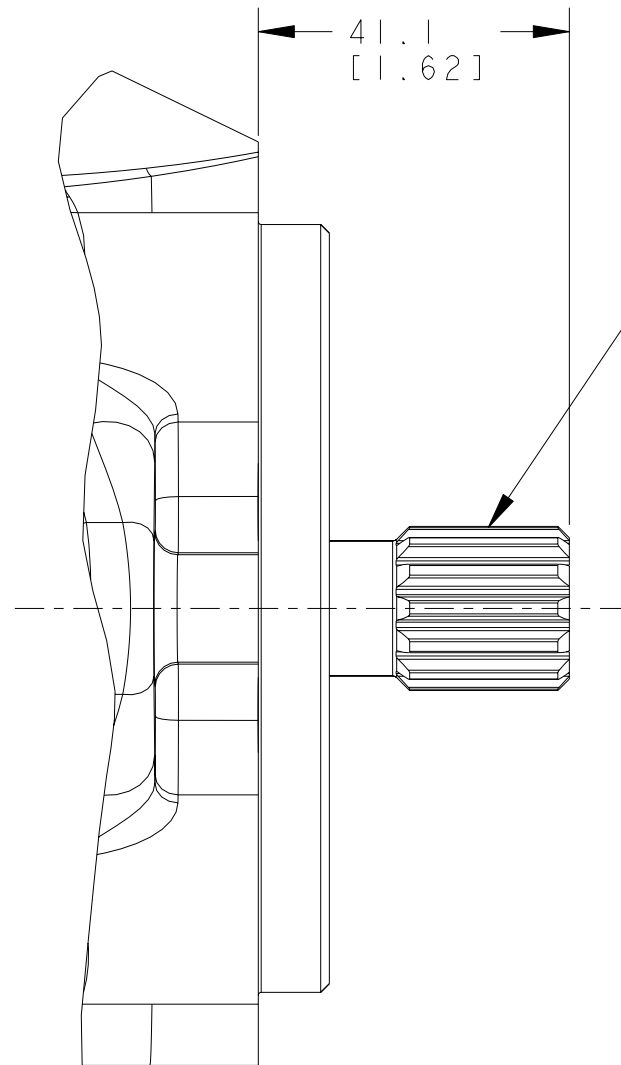


REV	DESCRIPTION	BY	CHK	DATE	ECN / MPS
A	ENGINEERING RELEASE	NWS	BMS	5-28-08	0018094
B	WAS 41.3[1.62]	MKS	MKS	4/10/09	0016471



Ø21.737 [.8558] 13 TOOTH 30° FLAT ROOT SIDE FIT  
16/32 CLASS 5 SPLINE PER ANSI B92.1 (MODIFIED)

FITS 13 TOOTH 30° FLAT ROOT SIDE FIT 16/32 INTERNAL  
SPLINES PER SAE J498b CLASS 1 OR ANSI B92.1 CLASS 5

—  
DISTRIBUTION CODE(S)

UNLESS OTHERWISE SPECIFIED ALL DIMENSIONS ARE IN INCHES <input type="checkbox"/> MILLIMETERS (INCHES) <input checked="" type="checkbox"/>	DRAWING BASED ON ANSI Y14.5M-1982	
	NOTICE TO PERSONS RECEIVING THIS DRAWING AND / OR TECHNICAL INFORMATION Eaton Corporation claims proprietary rights in the information disclosed hereon. This document is issued in confidence and is not to be reproduced or used to manufacture anything shown hereon without the written permission of the Eaton Corporation.	
TOLERANCES .X ± ---- .XX ± REF .XXX ± ONLY < ± ----	DRAWN NWS BY/DATE 1-29-08 CHECKED BMS BY/DATE 1-29-08 ENGRG DJZ BY/DATE 1-29-08 METALLURGY ---- BY/DATE \	MATERIAL/HEAT TREAT \
UNSPECIFIED RADII ARE: ----	TITLE 421 PUMP INPUT SHAFT INSTALL	
UNSPECIFIED DRAFT ANGLES ARE: ----	<input checked="" type="checkbox"/> THIRD ANGLE PROJECTION <input type="checkbox"/> DO NOT SCALE	MICROINCHES <input type="checkbox"/> MICROMETERS (MICROINCHES) <input checked="" type="checkbox"/> ARITHMETICAL AVERAGE <input checked="" type="checkbox"/>
	NUMBER A-3234-003	SCALE 1/1 SHEET 1 OF 1

