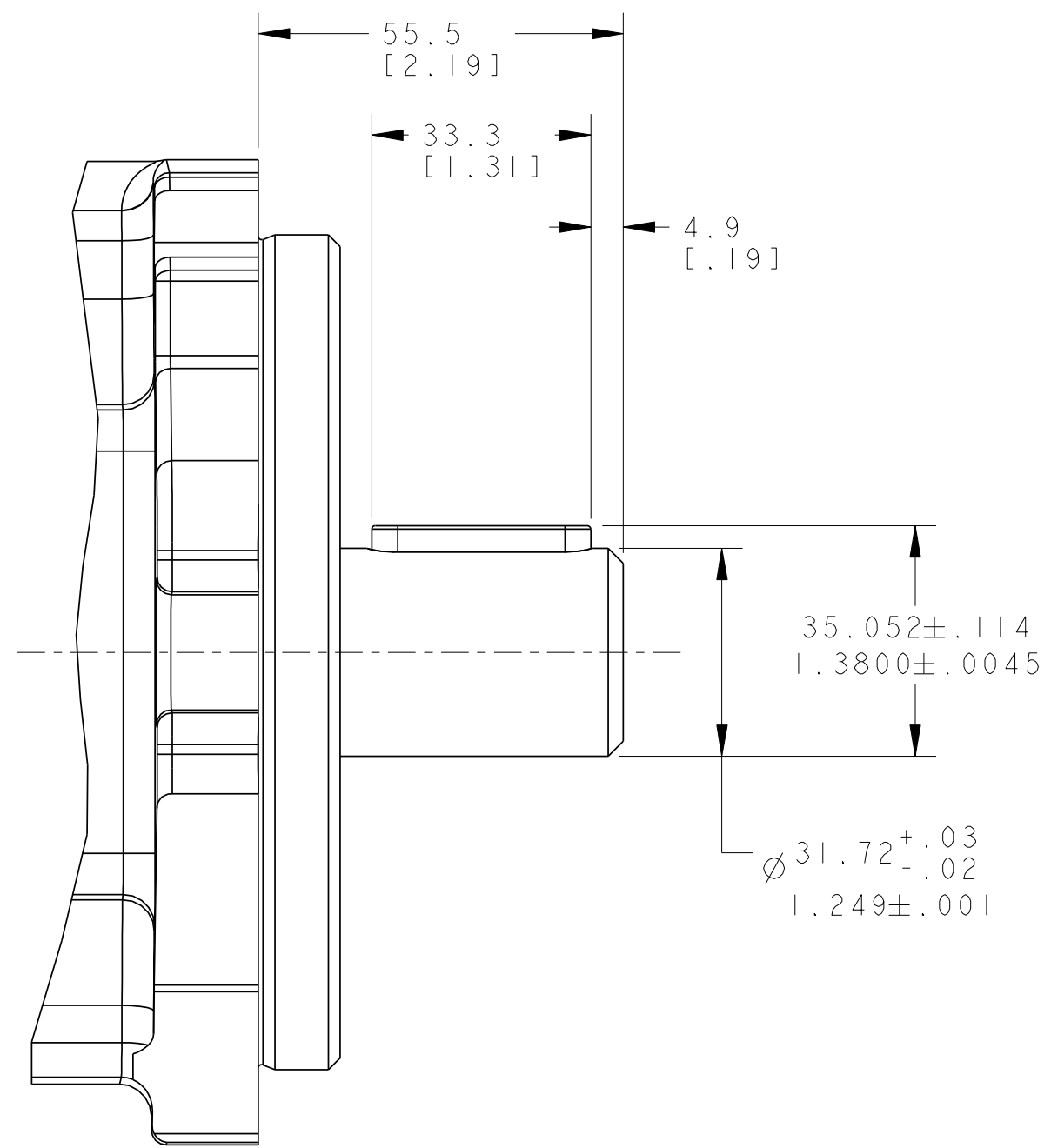
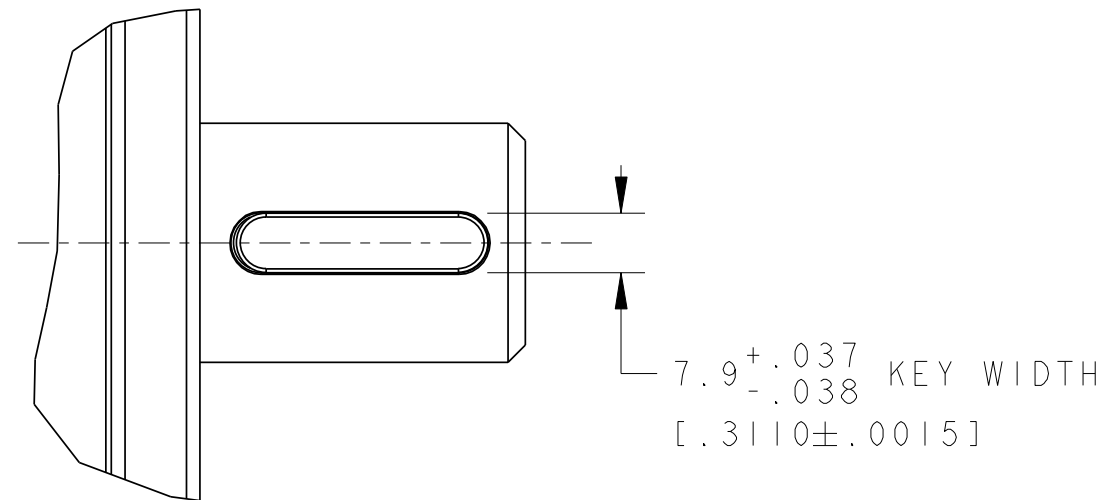


REV	DESCRIPTION	BY	CHK	DATE	ECN / MR
A	ENGINEERING RELEASE	NWS	BMS	5-28-08	001809



REVIEWED FOR CLASSIFICATION PER ESP-042

DISTRIBUTION CODE(S)

UNLESS OTHERWISE SPECIFIED ALL DIMENSIONS ARE IN INCHES <input type="checkbox"/> MILLIMETERS (INCHES) <input checked="" type="checkbox"/>	DRAWING BASED ON ANSI Y14.5M-1982	
	NOTICE TO PERSONS RECEIVING THIS DRAWING AND / OR TECHNICAL INFORMATION Eaton Corporation claims proprietary rights in the information disclosed hereon. This document is issued in confidence and is not to be reproduced or used to manufacture anything shown hereon without the written permission of the Eaton Corporation.	
<b>TOLERANCES</b> .X ± 0.1 .XX ± REF .XXX ± ONLY < ± 0.5° UNSPECIFIED RADII ARE: ---- UNSPECIFIED DRAFT ANGLES ARE: ---- B SIZE	DRAWN NWS BY/DATE 1-29-08 CHECKED BMS BY/DATE 1-29-08 ENGRG DJZ BY/DATE 1-29-08 METALLURGY ---- BY/DATE	MATERIAL/HEAT TREAT TITLE 420 PUMP INPUT SHAFT INSTALL NUMBER A-3234-010 SCALE 1/1 SHEET 1 OF 1
THIRD ANGLE PROJECTION DO NOT SCALE ARITHMETICAL AVERAGE		

