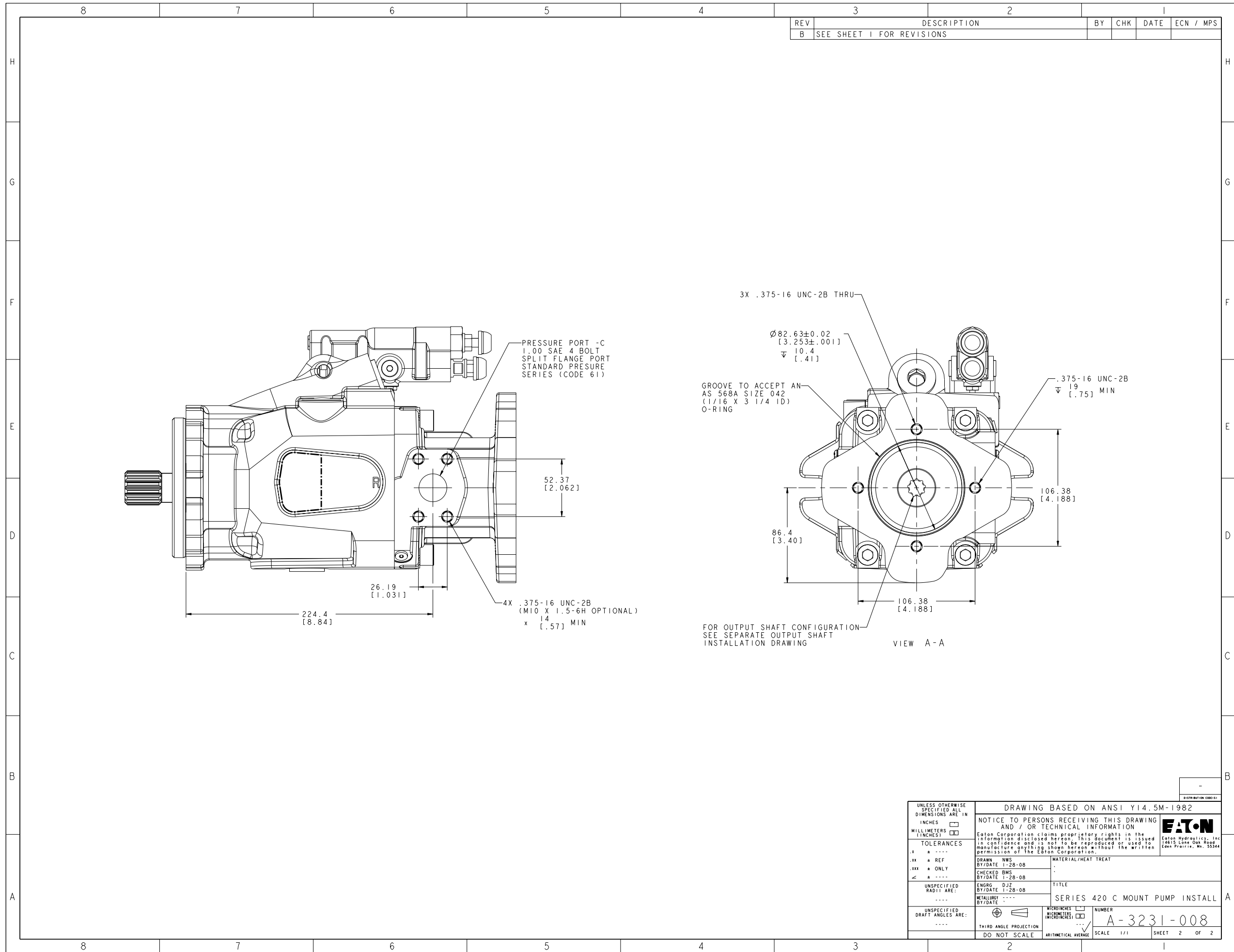


REV	DESCRIPTION	BY	CHK	DATE	ECN / MPS
A	ENGINEERING RELEASE	NWS	BMS	5-28-08	0018094
B	(7C) CASE DRAIN PORT NOTE WAS 7/16-20 UNF-2B SAE	SSC	SDY	7-03-09	0014961

NOTE
 1 UNIT MUST BE INSTALLED IN SUCH A POSITION THAT THE CASE DRAIN ASSURES AN OIL LEVEL AT OR ABOVE UNIT CENTERLINE BEFORE STARTING

REVIEWED FOR CLASSIFICATION PER ESP-042

UNLESS OTHERWISE SPECIFIED ALL DIMENSIONS ARE IN INCHES		DRAWING BASED ON ANSI Y14.5M-1982	
MILLIMETERS (INCHES)		NOTICE TO PERSONS RECEIVING THIS DRAWING AND / OR TECHNICAL INFORMATION	
TOLERANCES		Eaton Corporation claims proprietary rights in the information disclosed hereon. This document is issued in confidence and is not to be reproduced or used to manufacture anything shown hereon without the written permission of the Eaton Corporation.	
.1	+ .0004	DRAWN: NWS	MATERIAL/HEAT TREAT
.1X	+ REF	BY/DATE: 1-28-08	
.1XX	+ ONLY	CHECKED: BMS	
∠	+ .0004	BY/DATE: 1-28-08	
UNSPECIFIED RADIUS ARE:	----	ENGRG: DJZ	TITLE
UNSPECIFIED DRAFT ANGLES ARE:	----	BY/DATE: 1-28-08	SERIES 420 C MOUNT PUMP INSTALL
E SIZE	THIRD ANGLE PROJECTION	METALLURGY: ----	NUMBER
DO NOT SCALE	ARITHMETICAL AVERAGE	SCALE: 1/1	A-3231-008
			SHEET 1 OF 2



REV	DESCRIPTION	BY	CHK	DATE	ECN / MPS
B	SEE SHEET I FOR REVISIONS				

PRESSURE PORT -C
1.00 SAE 4 BOLT
SPLIT FLANGE PORT
STANDARD PRESURE
SERIES (CODE 61)

3X .375-16 UNC-2B THRU

$\varnothing 82.63 \pm 0.02$
[3.253 ± .001]
▽ 10.4
[.41]

GROOVE TO ACCEPT AN
AS 568A SIZE 042
(1/16 X 3 1/4 ID)
O-RING

.375-16 UNC-2B
▽ 19
[.75] MIN

106.38
[4.188]

86.4
[3.40]

106.38
[4.188]

FOR OUTPUT SHAFT CONFIGURATION
SEE SEPARATE OUTPUT SHAFT
INSTALLATION DRAWING

VIEW A-A

52.37
[2.062]

26.19
[1.031]

224.4
[8.84]

4X .375-16 UNC-2B
(M10 X 1.5-6H OPTIONAL)
x 14
[.57] MIN

UNLESS OTHERWISE SPECIFIED ALL DIMENSIONS ARE IN INCHES		DRAWING BASED ON ANSI Y14.5M-1982	
MILLIMETERS (INCHES)		NOTICE TO PERSONS RECEIVING THIS DRAWING AND / OR TECHNICAL INFORMATION	
TOLERANCES		Eaton Corporation claims proprietary rights in the information disclosed hereon. This document is issued in confidence and is not to be reproduced or used to manufacture anything shown hereon without the written permission of the Eaton Corporation.	
.X ± .005	DRAWN: NWS BY/DATE 1-28-08	MATERIAL/HEAT TREAT	
.XX ± REF	CHECKED BMS BY/DATE 1-28-08	TITLE	
.XXX ± ONLY	ENGRG: DJZ BY/DATE 1-28-08	SERIES 420 C MOUNT PUMP INSTALL	
∠ ± .005	METALLURGY	NUMBER	
UNSPECIFIED RADIUS ARE:		A-3231-008	
UNSPECIFIED DRAFT ANGLES ARE:		SCALE 1/1	
	THIRD ANGLE PROJECTION	SHEET 2 OF 2	
	DO NOT SCALE		