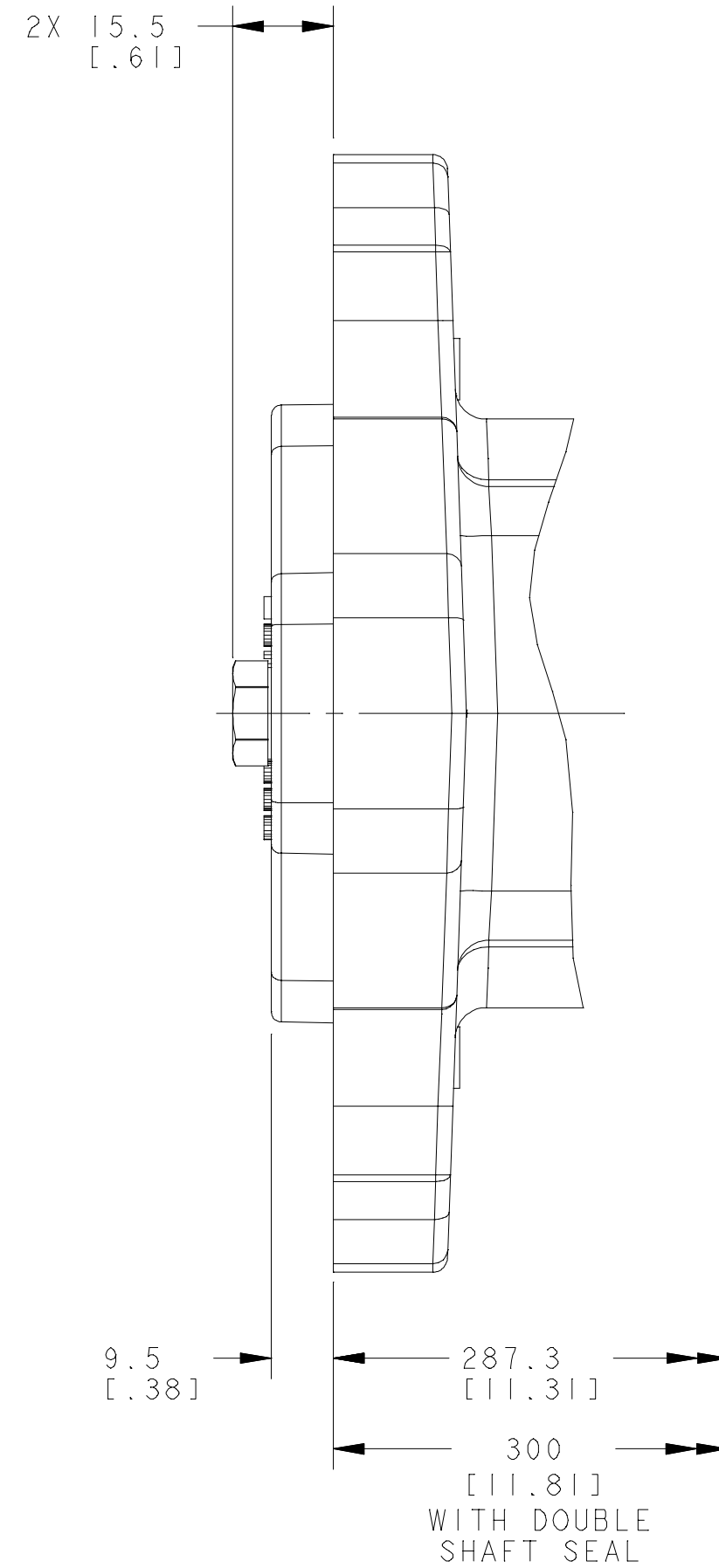
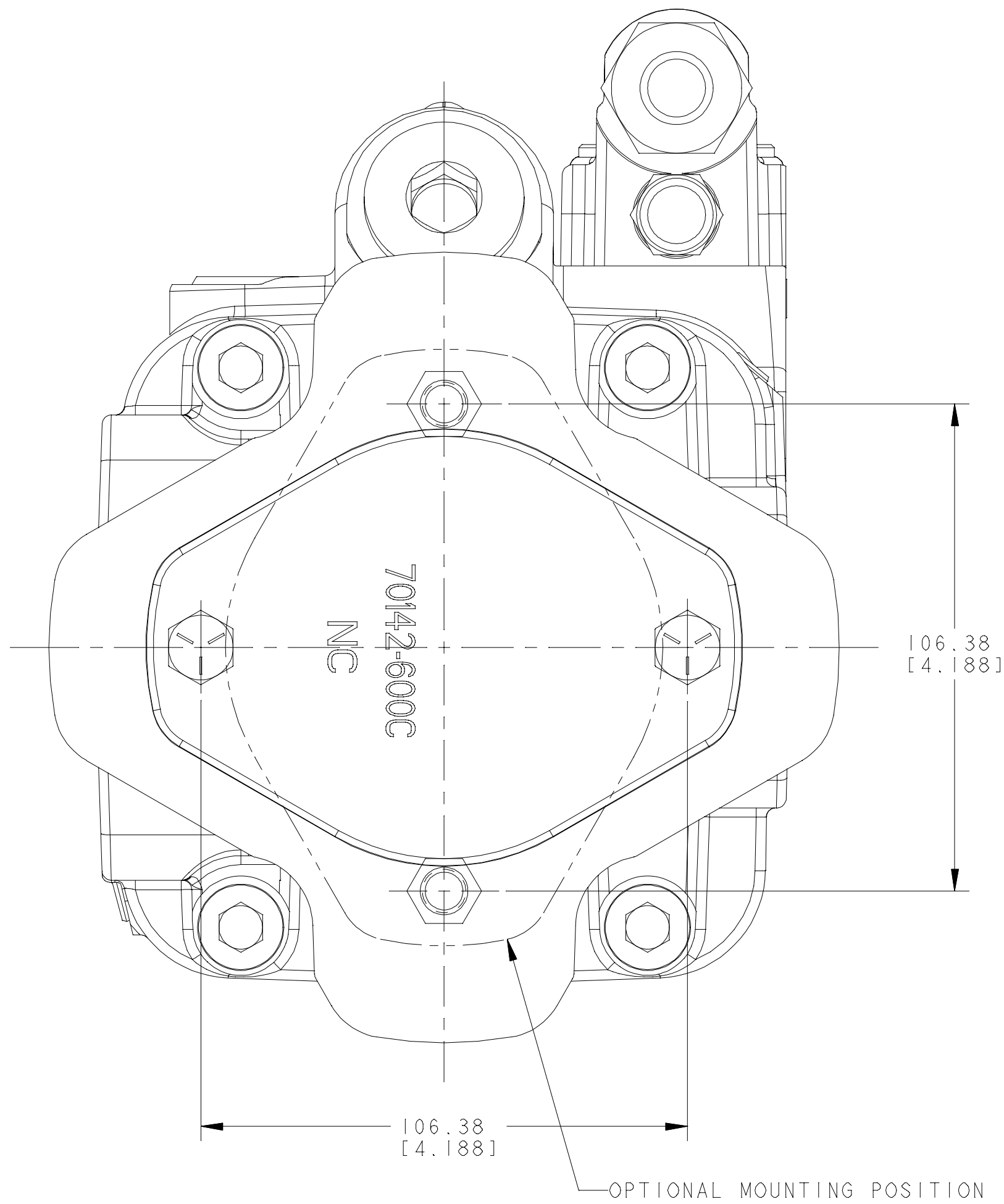


REV	DESCRIPTION	BY	CHK	DATE	ECN / MPS
A	RELEASE FOR SAMPLES AND ESTIMATES	JMM	JMM	4-10-01	M25382
B	ENGINEERING RELEASE	MJP	MJP	10-18-02	42601



DISTRIBUTION CODE(S)
-

UNLESS OTHERWISE SPECIFIED ALL DIMENSIONS ARE IN INCHES <input type="checkbox"/> MILLIMETERS (INCHES) <input checked="" type="checkbox"/>	DRAWING BASED ON ANSI Y14.5M-1982	
	NOTICE TO PERSONS RECEIVING THIS DRAWING AND / OR TECHNICAL INFORMATION Eaton Corporation claims proprietary rights in the information disclosed hereon. This document is issued in confidence and is not to be reproduced or used to manufacture anything shown hereon without the written permission of the Eaton Corporation.	
TOLERANCES .X ± ---- .XX ± REF .XXX ± ONLY < ± ----	DRAWN JMM BY/DATE 12-14-01 CHECKED JMM BY/DATE 7-25-02	MATERIAL/HEAT TREAT
UNSPECIFIED RADII ARE: ----	ENGRG TJT BY/DATE 7-25-02 METALLURGY ---- BY/DATE	TITLE COVER PLATE INSTALLATION
UNSPECIFIED DRAFT ANGLES ARE: ----	<input checked="" type="checkbox"/> THIRD ANGLE PROJECTION <input type="checkbox"/> DO NOT SCALE	NUMBER A-2255-001 SCALE 1/1 SHEET 1 OF 1

