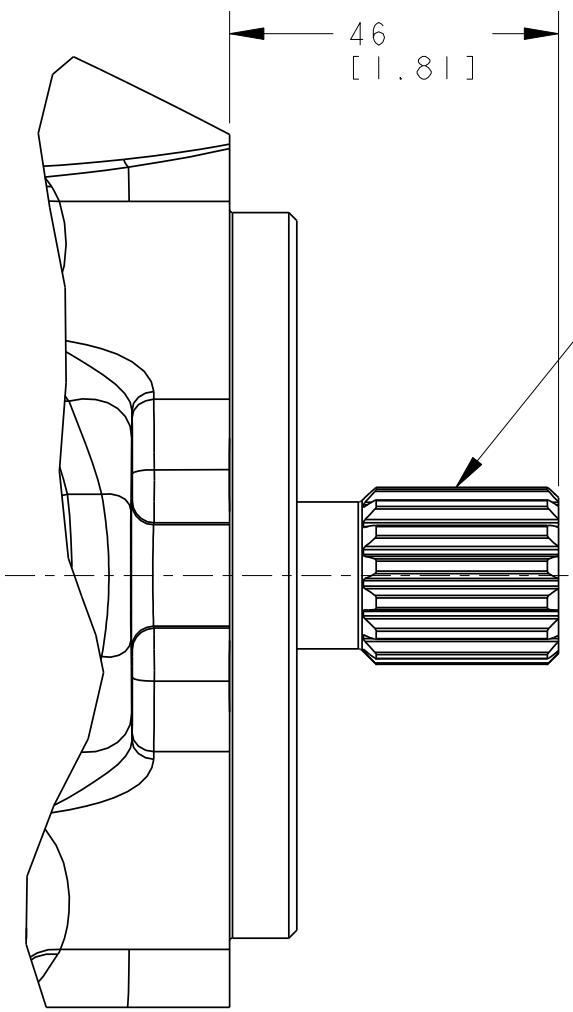


REV	DESCRIPTION	BY	CHK	DATE	ECN / MPS
A	ENGINEERING RELEASE	NWS	BMS	5-28-08	0018094



Ø24.912 [.9808] 15 TOOTH 30° FLAT ROOT SIDE FIT
 16/32 CLASS 5 SPLINE PER ANSI B92.1 (MODIFIED)

FITS 15 TOOTH 30° FLAT ROOT SIDE FIT 16/32 INTERNAL
 SPLINES PER SAE J498b CLASS 1 OR ANSI B92.1 CLASS 5

—
 DISTRIBUTION CODE(S)

UNLESS OTHERWISE SPECIFIED ALL DIMENSIONS ARE IN INCHES <input type="checkbox"/> MILLIMETERS (INCHES) <input checked="" type="checkbox"/>	DRAWING BASED ON ANSI Y14.5M-1982	
	NOTICE TO PERSONS RECEIVING THIS DRAWING AND / OR TECHNICAL INFORMATION	
TOLERANCES .X ± ---- .XX ± REF .XXX ± ONLY < ± ---- UNSPECIFIED RADII ARE: ---- UNSPECIFIED DRAFT ANGLES ARE: ----	Eaton Corporation claims proprietary rights in the information disclosed hereon. This document is issued in confidence and is not to be reproduced or used to manufacture anything shown hereon without the written permission of the Eaton Corporation.	
	DRAWN NWS BY/DATE 1-29-08 CHECKED BMS BY/DATE 1-29-08 ENGRG DJZ BY/DATE 1-29-08 METALLURGY ---- BY/DATE	MATERIAL/HEAT TREAT \
	TITLE 421 PUMP INPUT SHAFT INSTALL	
	<input checked="" type="checkbox"/> MICROINCHES <input type="checkbox"/> MICROMETERS (MICROINCHES)	NUMBER A-3234-001
	THIRD ANGLE PROJECTION DO NOT SCALE	ARITHMETICAL AVERAGE SCALE 1/1 SHEET 1 OF 1

