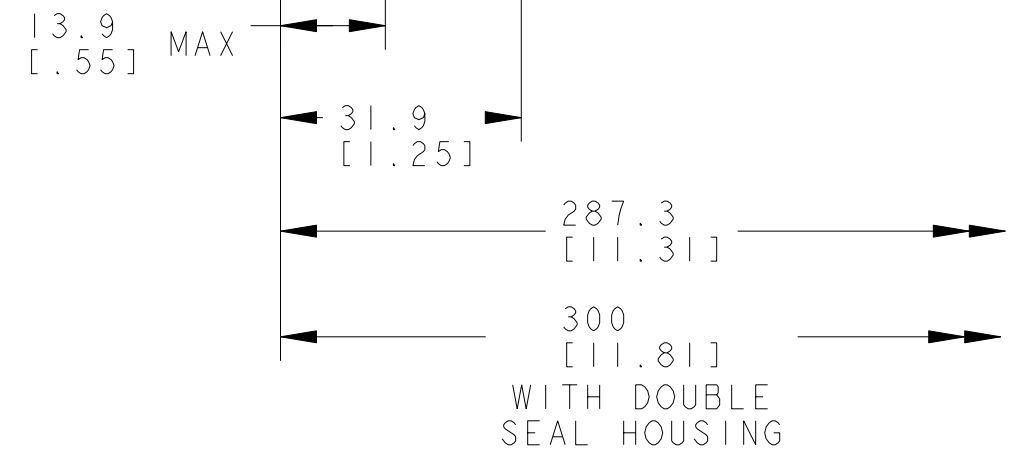
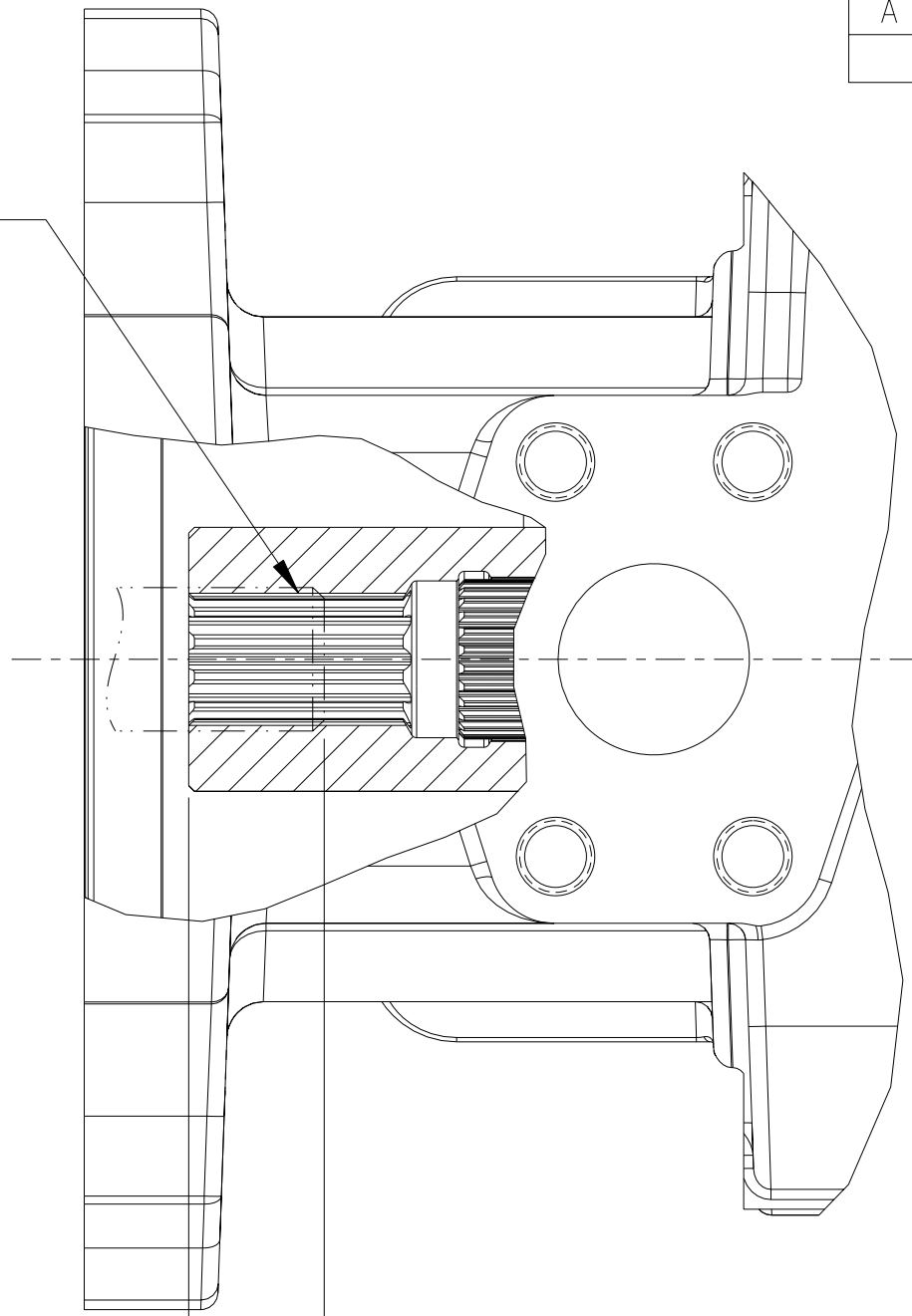


REV	DESCRIPTION	BY	CHK	DATE	ECN / MPS
A	ENGINEERING RELEASE	JMM	JMM	12-20-04	M63540

Ø16.54 [.651] 11 TOOTH 30° FLAT ROOT SIDE FIT 16/32 INTERNAL SPLINE PER ANSI B92.1-1996

ACCEPTS 11 TOOTH 30° FLAT ROOT SIDE FIT 16/32 EXTERNAL SPLINES PER SAE J498b CLASS 1 OR ANSI B92.1 CLASS 5 WITH 31.8 [1.25] EXTENSION FROM MOUNTING FLANGE

ADDITIONAL UNITS DRIVEN BY THIS SPLINE MUST NOT REQUIRE MORE THAN 118.6 N·m [88 lbf·ft] OF TORQUE



REVIEWED FOR CLASSIFICATION PER ESP-042

-
DISTRIBUTION CODE(S)

UNLESS OTHERWISE SPECIFIED ALL DIMENSIONS ARE IN INCHES <input type="checkbox"/> MILLIMETERS (INCHES) <input checked="" type="checkbox"/>	DRAWING BASED ON ANSI Y14.5M-1982	
	NOTICE TO PERSONS RECEIVING THIS DRAWING AND / OR TECHNICAL INFORMATION Eaton Corporation claims proprietary rights in the information disclosed hereon. This document is issued in confidence and is not to be reproduced or used to manufacture anything shown hereon without the written permission of the Eaton Corporation.	
TOLERANCES .X ± ---- .XX ± REF .XXX ± ONLY < ± ----	DRAWN JMM BY/DATE 1-5-05 CHECKED JMM BY/DATE 1-13-05 ENGRG RNA BY/DATE 1-13-05 METALLURGY ---- BY/DATE	MATERIAL/HEAT TREAT TITLE OUTPUT SHAFT INSTALLATION
UNSPECIFIED RADII ARE: ----	<input checked="" type="checkbox"/> THIRD ANGLE PROJECTION <input type="checkbox"/> DO NOT SCALE	MICROINCHES <input type="checkbox"/> MICROMETERS (MICROINCHES) <input checked="" type="checkbox"/> ARITHMETICAL AVERAGE <input checked="" type="checkbox"/>
UNSPECIFIED DRAFT ANGLES ARE: ----	B SIZE	NUMBER A-2254-007 SCALE 1/1 SHEET 1 OF 1