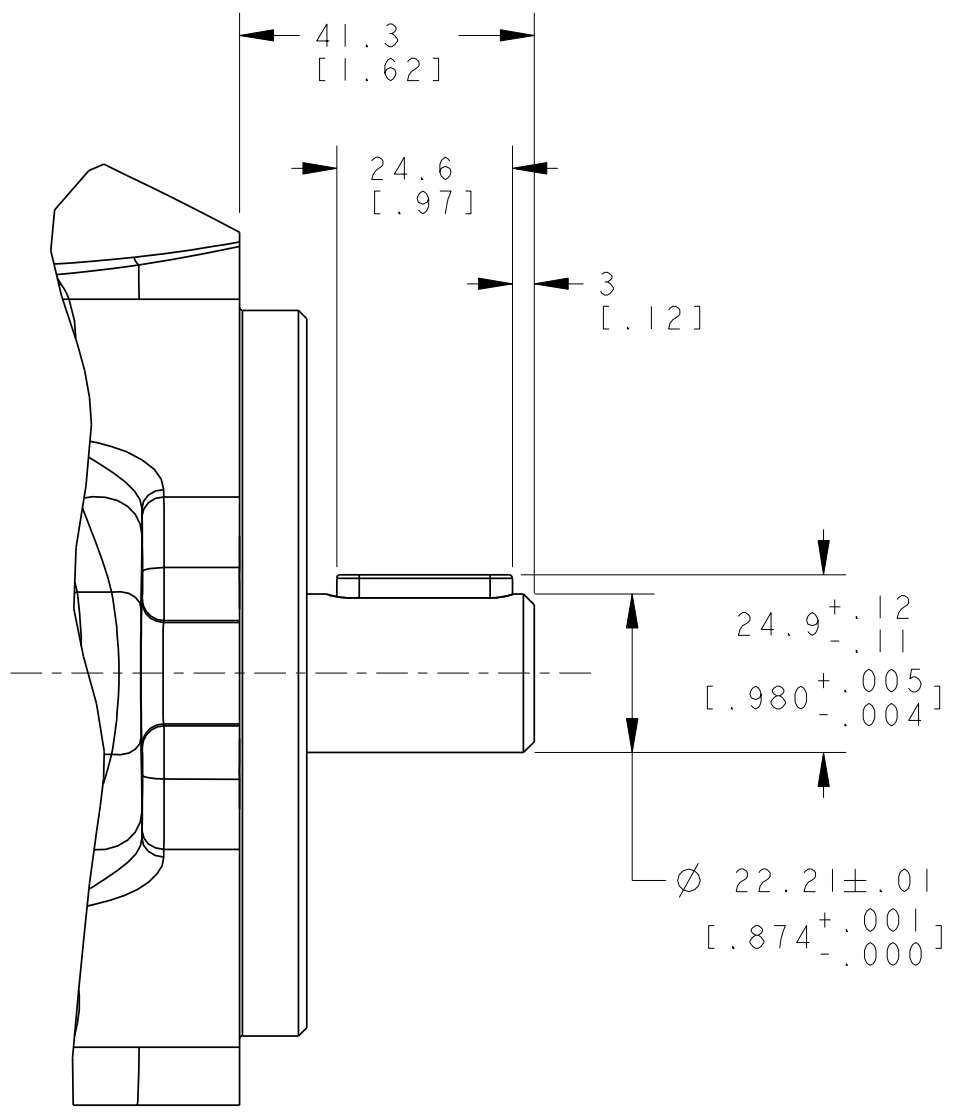
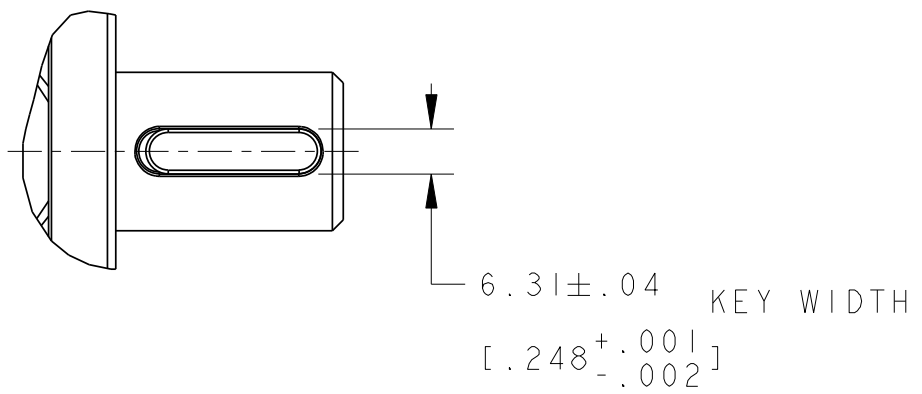


REV	DESCRIPTION	BY	CHK	DATE	ECN / MPS
A	ENGINEERING RELEASE	NWS	BMS	5-28-08	0018094



-

DISTRIBUTION CODE(S)

UNLESS OTHERWISE SPECIFIED ALL DIMENSIONS ARE IN INCHES <input type="checkbox"/> MILLIMETERS (INCHES) <input checked="" type="checkbox"/>	DRAWING BASED ON ANSI Y14.5M-1982	
	NOTICE TO PERSONS RECEIVING THIS DRAWING AND / OR TECHNICAL INFORMATION Eaton Corporation claims proprietary rights in the information disclosed hereon. This document is issued in confidence and is not to be reproduced or used to manufacture anything shown hereon without the written permission of the Eaton Corporation.	
TOLERANCES .X ± ---- .XX ± REF .XXX ± ONLY < ± ----	DRAWN NWS BY/DATE 1-29-08 CHECKED BMS BY/DATE 1-29-08 ENGRG DJZ BY/DATE 1-29-08 METALLURGY BY/DATE	MATERIAL/HEAT TREAT \
UNSPECIFIED RADII ARE: ----	TITLE 421 PUMP INPUT SHAFT INSTALL	EATON Eaton Hydraulics, Inc. 14615 Lone Oak Road Eden Prairie, Mn. 55344
UNSPECIFIED DRAFT ANGLES ARE: ----	<input checked="" type="checkbox"/> THIRD ANGLE PROJECTION <input type="checkbox"/> DO NOT SCALE	NUMBER A-3234-005 SCALE 1/1 SHEET 1 OF 1
	MICROINCHES <input type="checkbox"/> MICROMETERS (MICROINCHES) <input checked="" type="checkbox"/> <input checked="" type="checkbox"/> ARITHMETICAL AVERAGE	