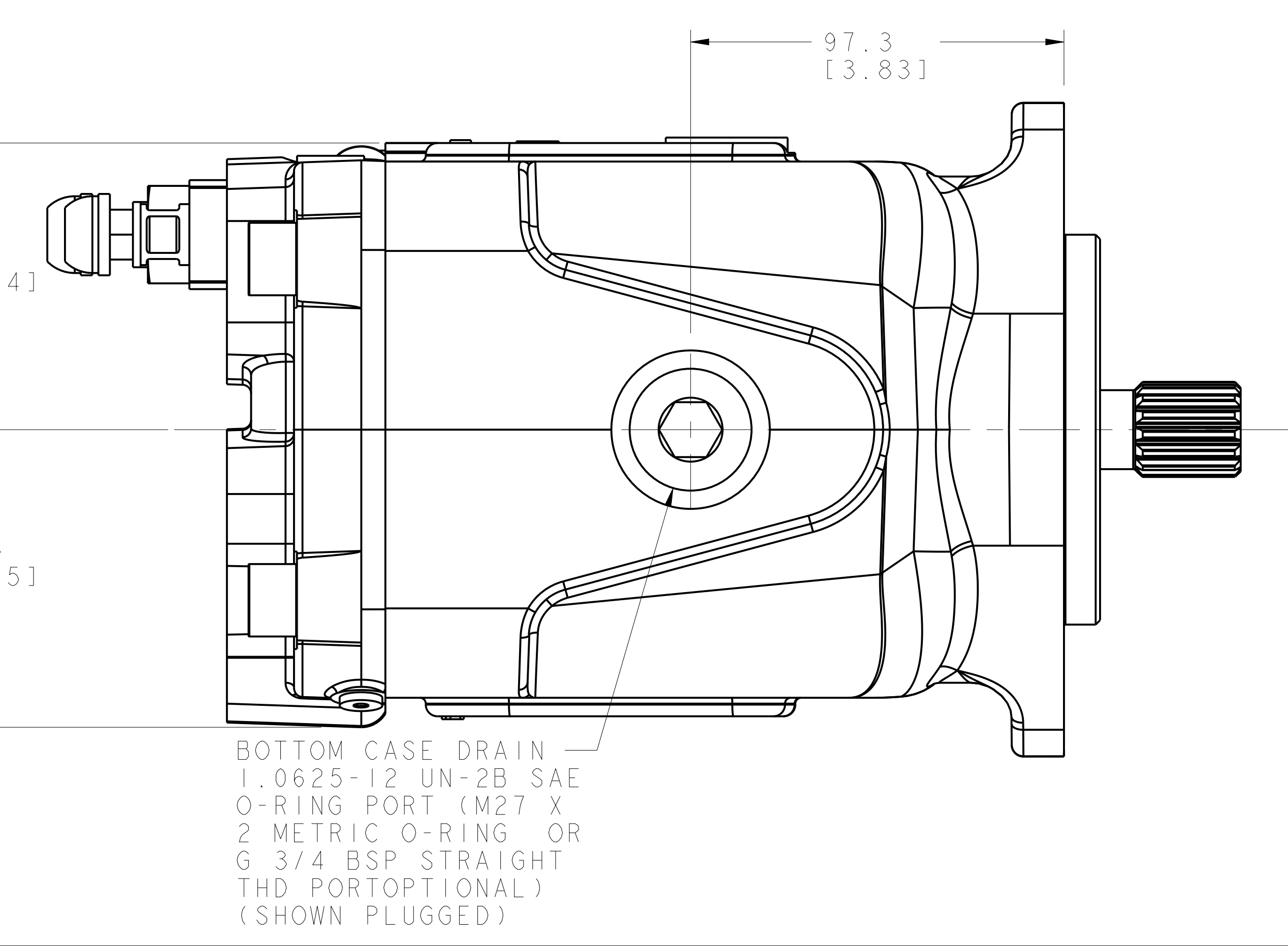
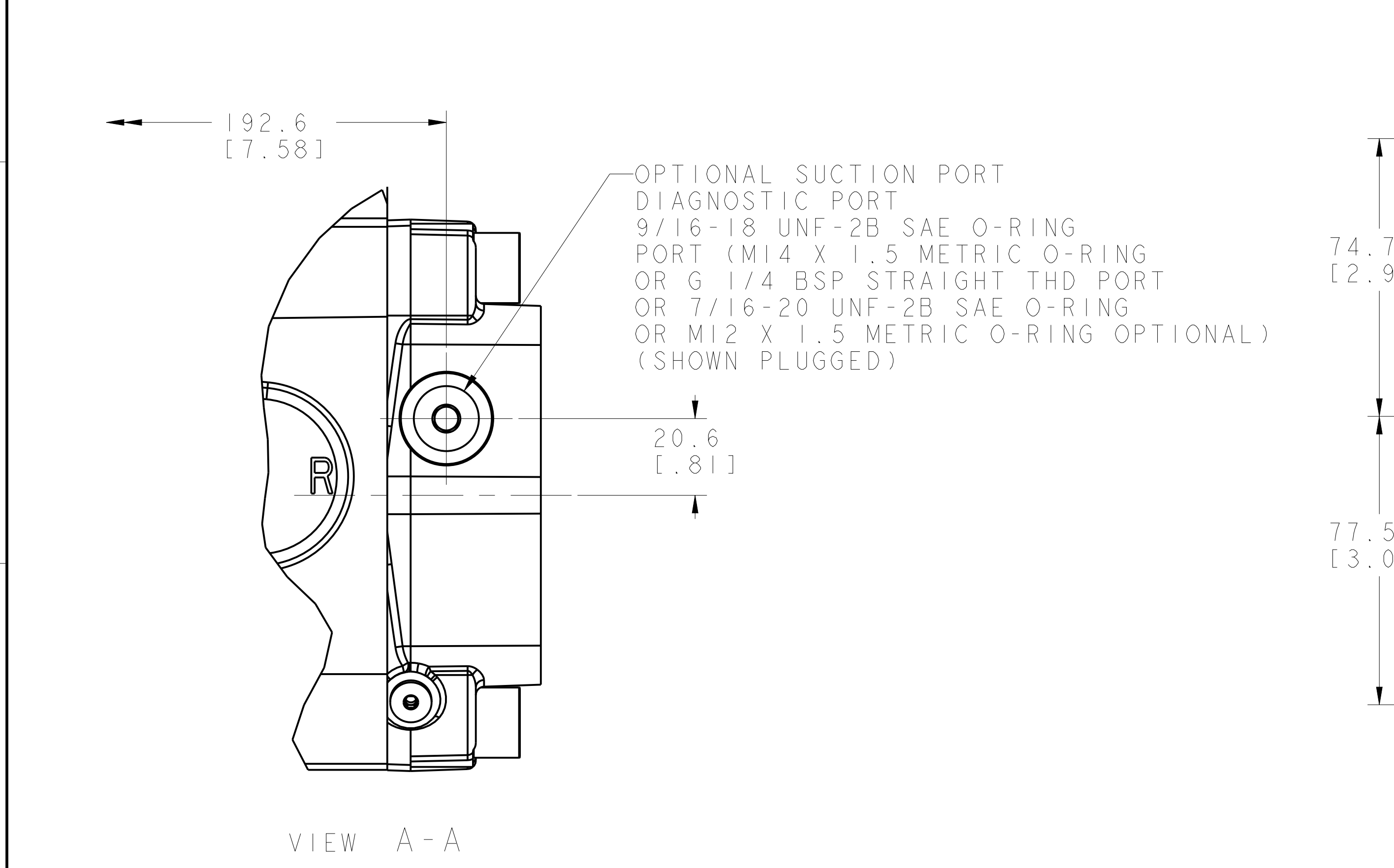
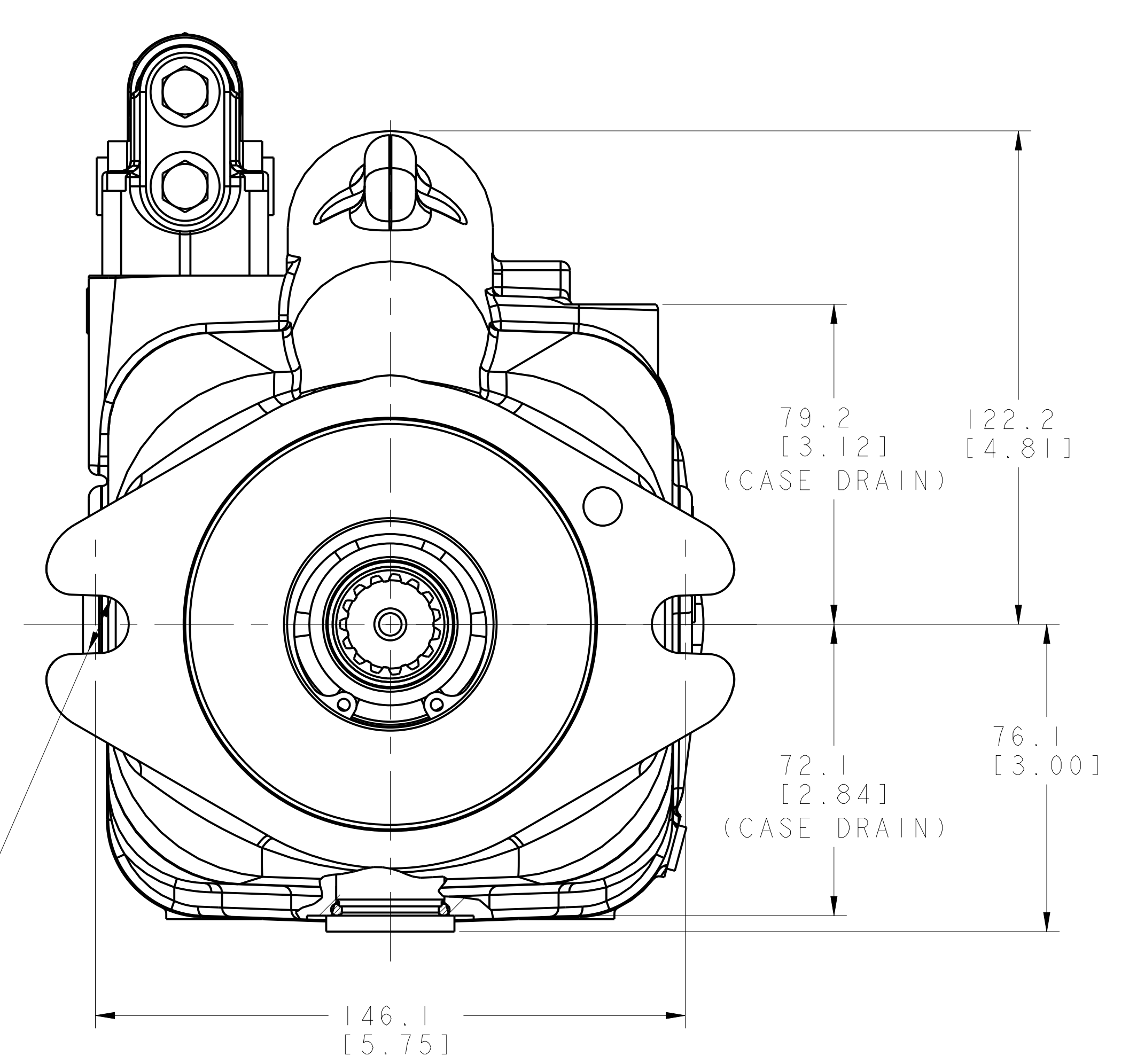
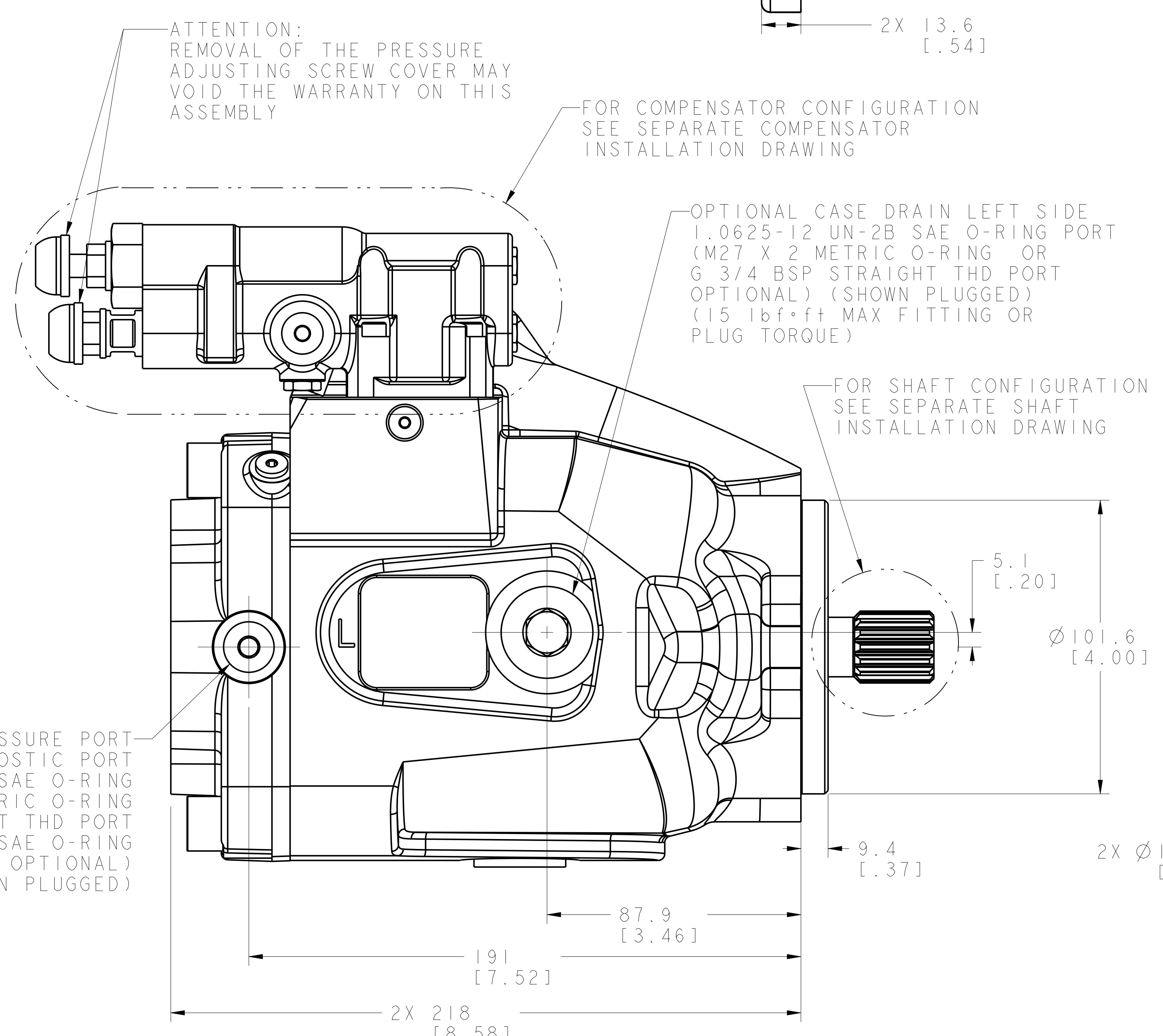
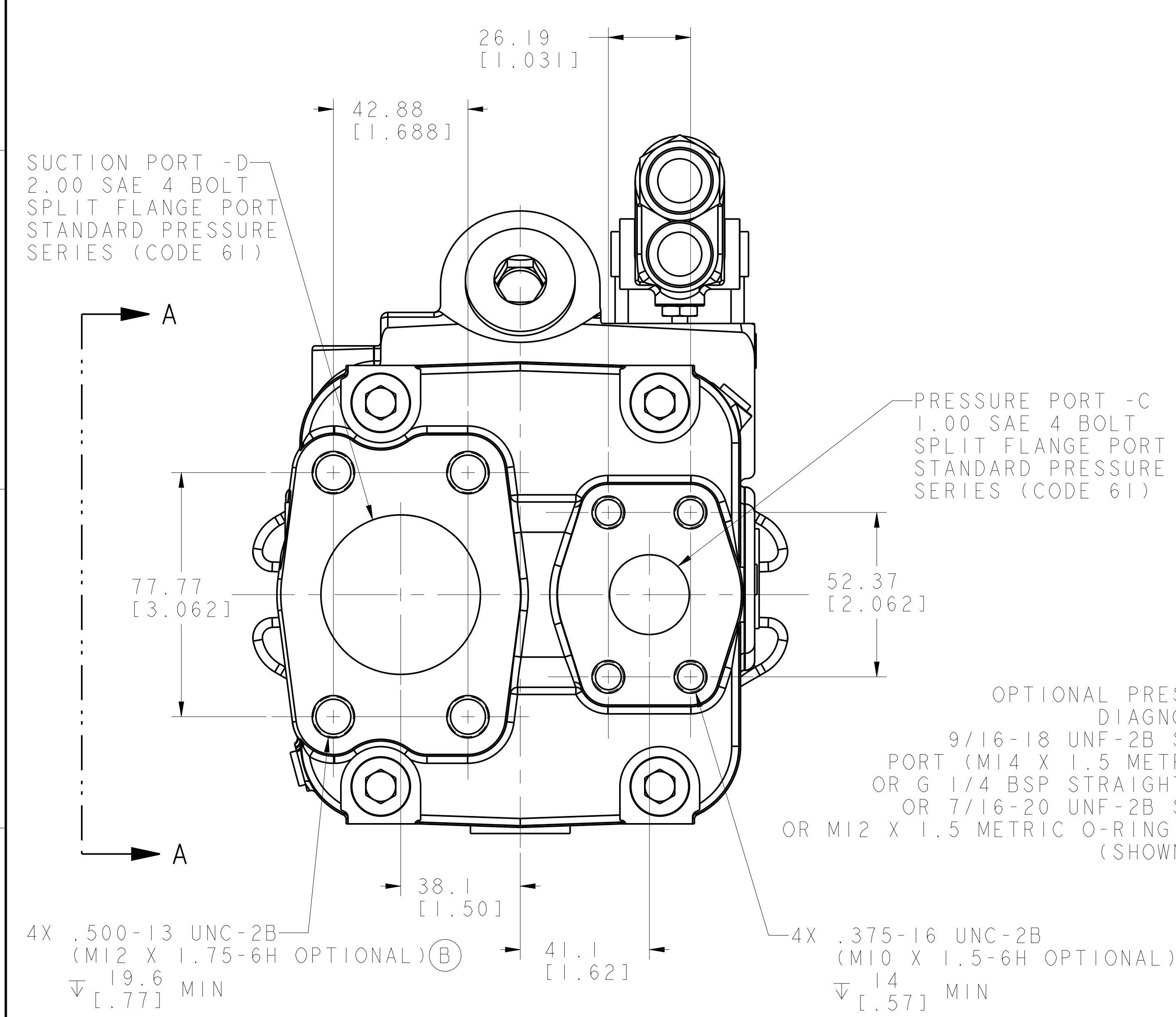
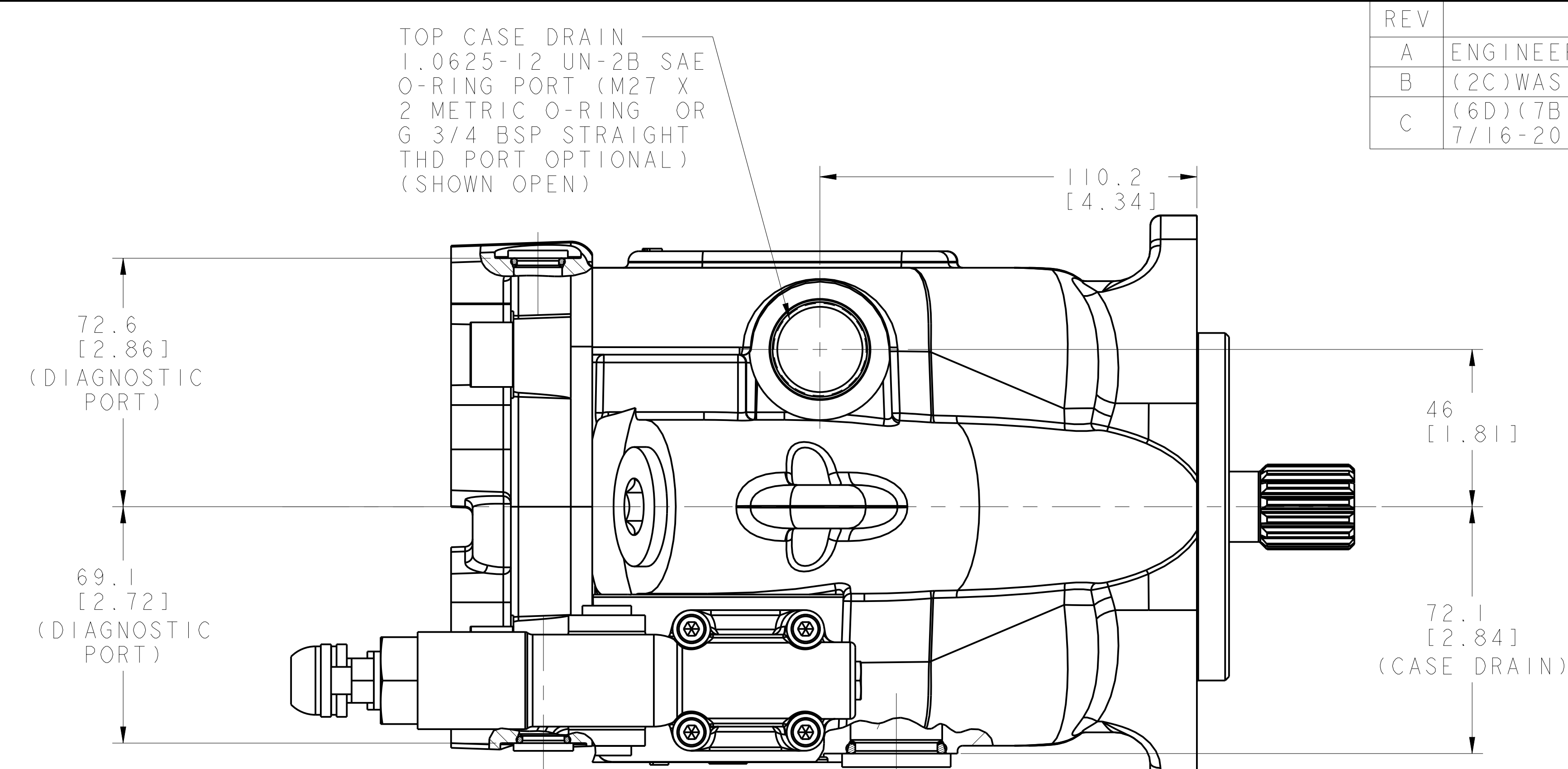


REV	DESCRIPTION	BY	CHK	DATE	ECN / MPS
A	ENGINEERING RELEASE	NWS	BMS	05-28-08	0018094
B	(2C) WAS M12 X 2.5-6H	MKS	MKS	4/10/09	0016471
C	(6D)(7B) ADDED OPTIONAL DIAGNOSTIC PORT OPTIONS 7/16-20 AND M12 X 1.5 METRIC	MMG	SDM	01/21/16	M99361



NOTE
1 UNIT MUST BE INSTALLED IN SUCH A POSITION THAT
THE CASE DRAIN ASSURES AN OIL LEVEL AT OR ABOVE
UNIT CENTERLINE BEFORE STARTING

REVIEWED FOR CLASSIFICATION PER ESP-042

DRAWING BASED ON ANSI Y14.5M-1982

UNLESS OTHERWISE SPECIFIED ALL DIMENSIONS ARE IN INCHES [] MILLIMETERS [X]

TOLERANCES
 .x ± .005
 .xx ± REF
 .xxx ± ONLY
 < ± .0005
 UNSPECIFIED RADII ARE: .005
 UNSPECIFIED DRAFT ANGLES ARE: 1:4

NOTICE TO PERSONS RECEIVING THIS DRAWING AND / OR TECHNICAL INFORMATION
 Eaton Corporation claims proprietary rights in the information disclosed herein. This document is issued in confidence and is not to be reproduced or used to manufacture anything shown herein without the written permission of the Eaton Corporation.

EDISON
 Eaton Hydraulics, Inc.
 14615 Lone Oak Road
 Eden Prairie, Mn, 55344

DRAWN NWS BY/DATE 12-20-07
 CHECKED BMS BY/DATE 12-20-07
 ENGRG DJZ BY/DATE 12-20-07
 METALLURGY BY/DATE

MATERIAL/HEAT TREAT
 TITLE
 SERIES 420 PUMP INSTALLATION

NUMBER
 A-3215-002
 SCALE 1/1 SHEET 1 OF 1

THIRD ANGLE PROJECTION
 DO NOT SCALE
 ARITHMETICAL AVERAGE