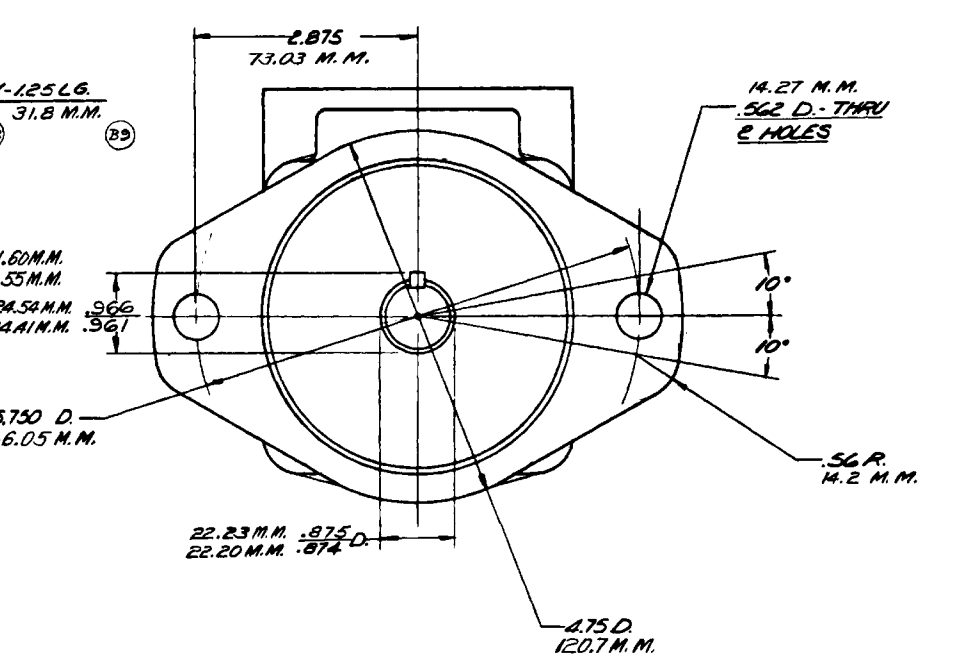
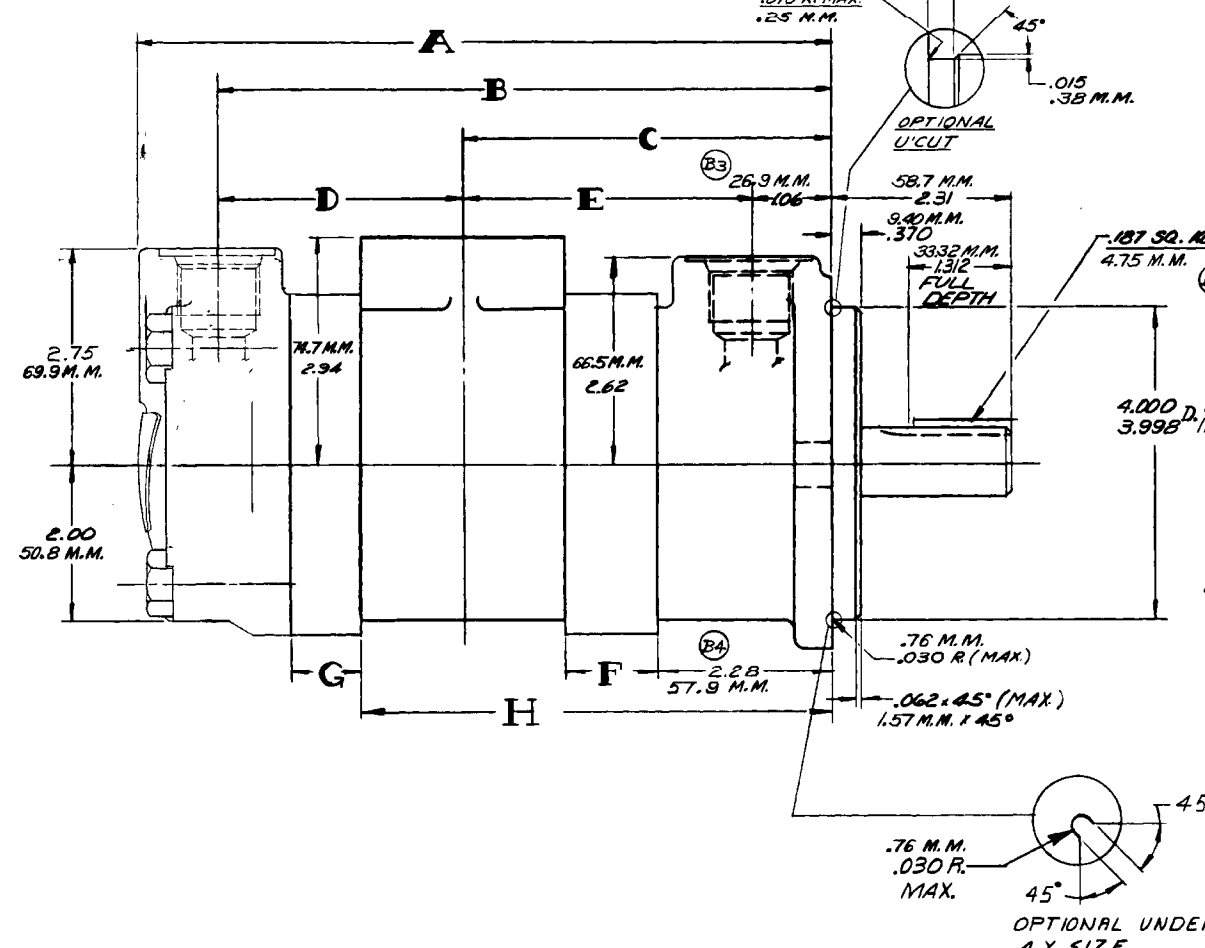
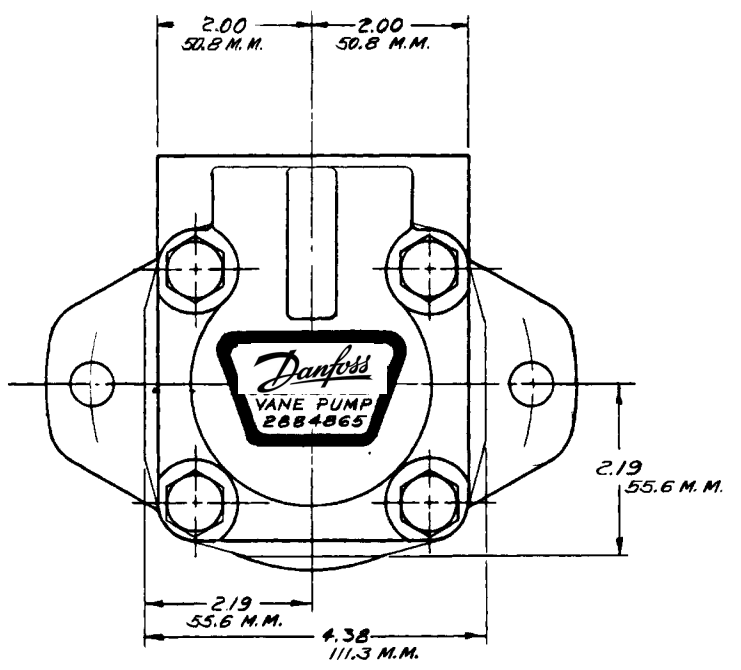
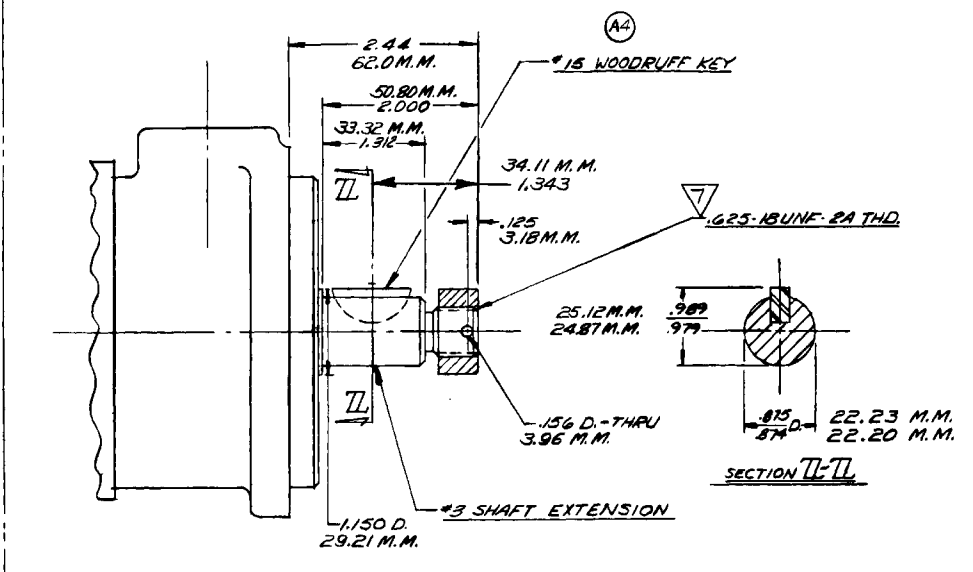
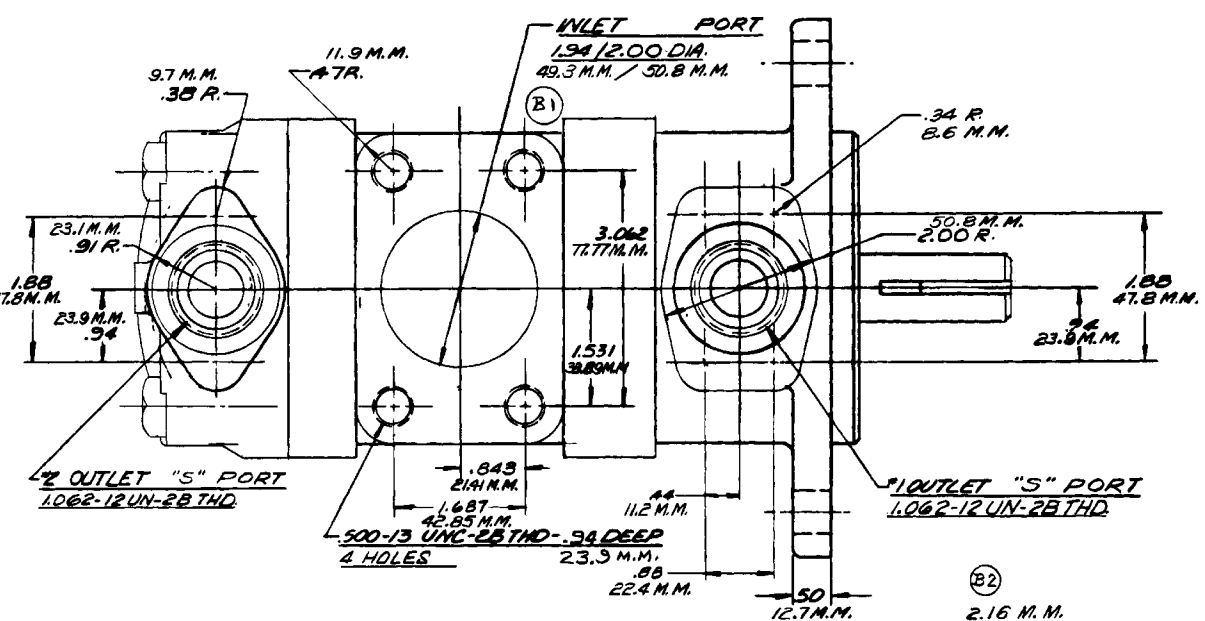
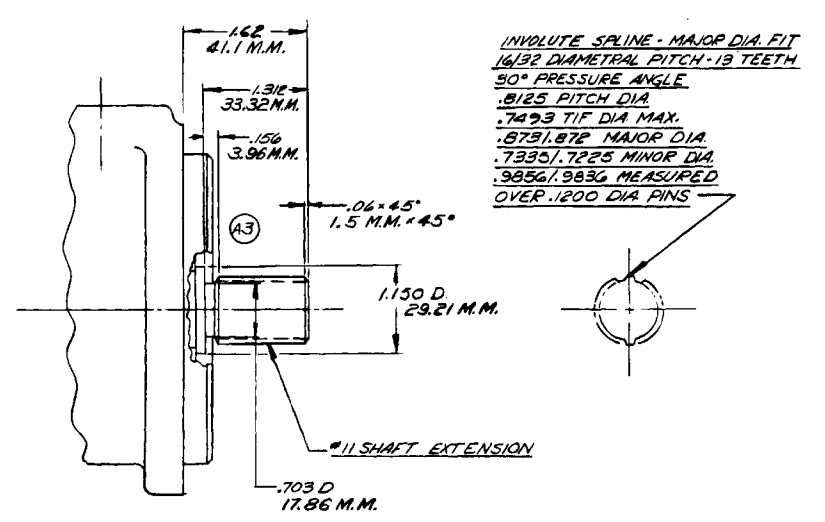


REV	ZONE	DESCRIPTION	DATE	APPROVED
A1		ADDED METRIC DIMS & MAX. BAR	3-13-68	D. W. F.
A2		ADDED GENERAL NOTES 1, 2, & 3		
A3		REMOVED .30" FROM #11 SHAFT		
A4		REMOVED .250 WIDE FROM WOODRUFF KEY	3-13-68	D. W. F.
B1		CORRECTED METRIC & BAR DIMS.	12-11-68	D. W. F.
B2		ADDED METRIC DIMENSIONS	12-11-68	D. W. F.
C1		NOTE V ADDED	12-11-68	D. G. J.



RATED DELIVERY - GPM & 100 RPM & 100 R.S.I. SHAFT END COVER END	DIMENSIONS IN INCHES & MILLIMETERS								MAX. R.P.M.	MAX. P.S.I.	MAX. BAR	
	A	B	C	D	E	F	G	H				
7	6	8.41	7.39	4.49	2.90	3.43	8.65	4.15	5.83	2800	2500	172.369
26.498 dm ³ /min 22.762 dm ³ /min	23.6 M.M.	187.7 M.M.	140.0 M.M.	13.7 M.M.	87.1 M.M.	21.97 M.M.	156.2 M.M.	105.1 M.M.	148.1 M.M.			
8	7	8.66	7.64	4.49	3.15	3.43	8.65	8.65	5.83	2800	2500	172.369
30.283 dm ³ /min 26.498 dm ³ /min	220.0 M.M.	194.1 M.M.	140.0 M.M.	80.0 M.M.	87.1 M.M.	21.97 M.M.	21.97 M.M.	148.1 M.M.	148.1 M.M.			
9	8	8.66	7.64	4.49	3.15	3.43	8.65	8.65	5.83	2800	2500	172.369
34.069 dm ³ /min 30.283 dm ³ /min	220.0 M.M.	194.1 M.M.	140.0 M.M.	80.0 M.M.	87.1 M.M.	21.97 M.M.	21.97 M.M.	148.1 M.M.	148.1 M.M.			
11	11	9.05	8.03	4.69	3.35	3.63	1.062	1.062	6.03	2500	2500	172.369
41.640 dm ³ /min 34.069 dm ³ /min	220.0 M.M.	200.0 M.M.	151.1 M.M.	95.1 M.M.	92.2 M.M.	26.87 M.M.	26.87 M.M.	153.2 M.M.	153.2 M.M.			
12	8	8.89	7.97	4.82	3.15	3.76	1.200	1.865	6.17	2400	2200	151.685
45.425 dm ³ /min 30.283 dm ³ /min	228.3 M.M.	202.4 M.M.	122.4 M.M.	80.0 M.M.	85.5 M.M.	30.48 M.M.	31.97 M.M.	156.7 M.M.	156.7 M.M.			
13	9	8.89	7.97	4.82	3.15	3.76	1.200	1.865	6.17	2400	2200	151.685
48.211 dm ³ /min 34.069 dm ³ /min	228.3 M.M.	202.4 M.M.	122.4 M.M.	80.0 M.M.	85.5 M.M.	30.48 M.M.	31.97 M.M.	156.7 M.M.	156.7 M.M.			
15	11	9.05	8.17	4.82	3.35	3.76	1.200	1.062	6.17	2400	2200	151.685
48.211 dm ³ /min 41.640 dm ³ /min	223.4 M.M.	207.5 M.M.	122.4 M.M.	85.1 M.M.	85.5 M.M.	30.48 M.M.	26.97 M.M.	156.7 M.M.	156.7 M.M.			

FLUID RECOMMENDATIONS:
SEE REFERENCE DATA SHEET M-2950-S

5. NORMAL ROTATION IS CLOCKWISE. FOR COUNTER-CLOCKWISE ROTATION ADD SUFFIX "L" TO MODEL NO.

4. PUMP DRIVE - PUMP IS RECOMMENDED FOR DIRECT COAXIAL DRIVE. IF DRIVES IMPOSING RADIAL SHAFT LOADS ARE CONSIDERED, CONSULT THE DANFOSS SALES REPRESENTATIVE.

3. OUTLET PORT CAN BE POSITIONED IN ANY ONE OF FOUR POSITIONS AS INDICATED IN MODEL NO.

2. FOR THIS HIGH PERFORMANCE PRODUCT TO QUALIFY UNDER DANFOSS WARRANTY IT IS TO BE USED IN CIRCUITS INITIALLY & CONTINUOUSLY FILTERED TO 25 MICRONS OR LESS.

1. 100 R.S.I. = 6.895 BARS.

UNLESS OTHERWISE SPECIFIED SURFACE FINISH IS 125	MOD Y8020-KKK-KKK-KKK-20	DATE 2/19/69	DATE 2/19/69
PLACE DECIMALS & DRO	REF 315 095	DATE 2/19/69	DATE 2/19/69
ANGULAR DIMENSIONS & R	OR WEINERT	DATE 2/19/69	DATE 2/19/69
CONCENTRICITY DID TR MAX	PROG. REL. 100	DATE 2-19-69	DATE 2-19-69
REMOVE ALL BURRS & BREAK	STDS REVIEW	DATE	DATE
ALL EDGES DR MAX	ENGRS REVIEW	DATE	DATE
MACHINE PER VS 1-3-3-1	ENGRS APP	DATE	DATE
MATERIAL	DATE	DWG	CODE
HEAT TREATMENT	DATE	NO	IDENT NO.
	DATE	SCALE	WT ACT. CALC SHEET

361978

INSTALLATION - DOUBLE VANE PUMP

361978