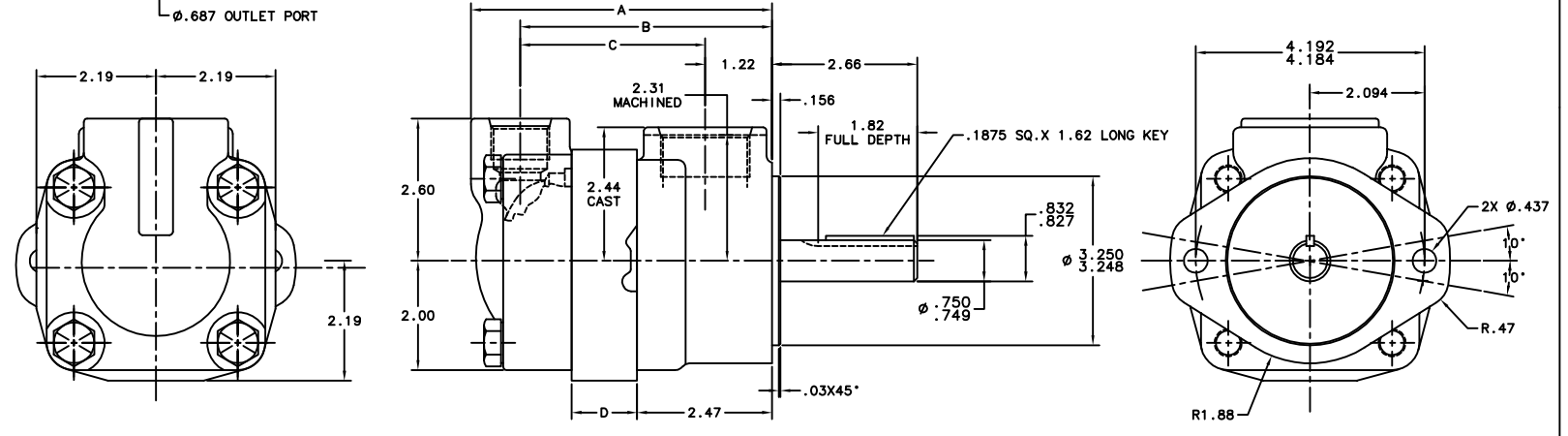
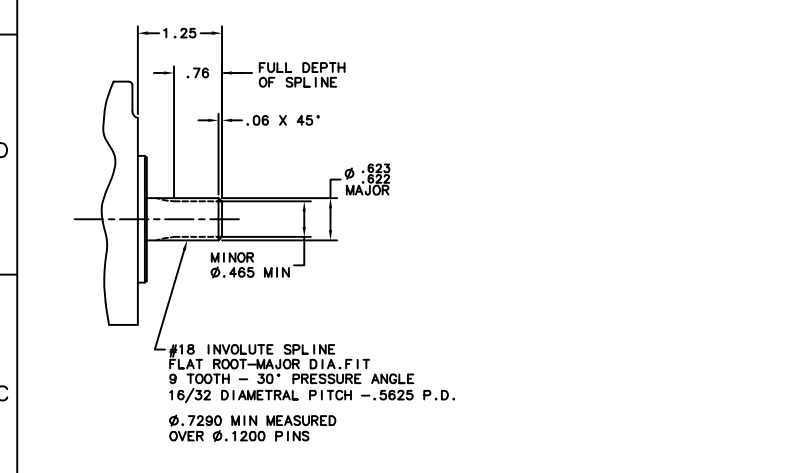
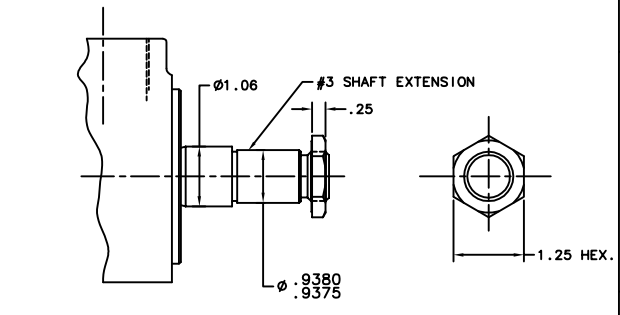
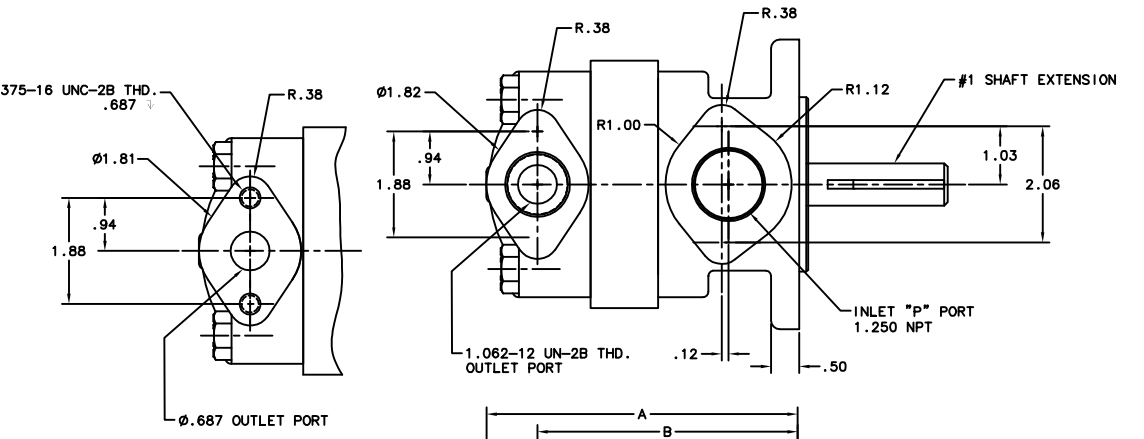
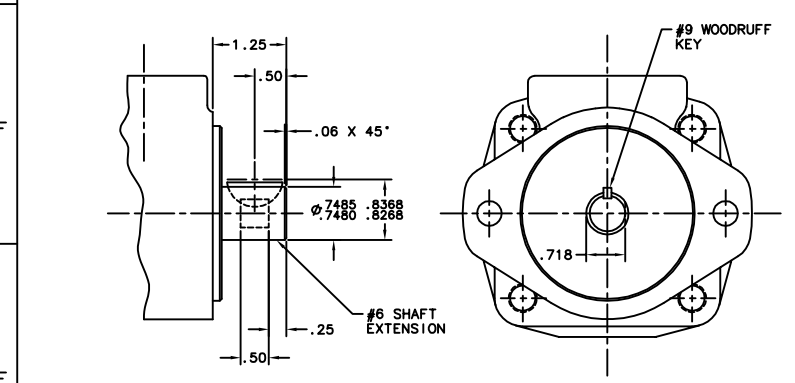
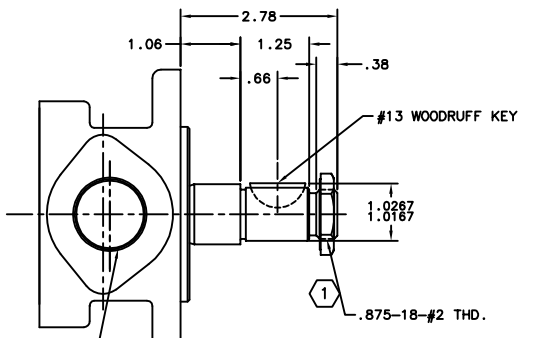
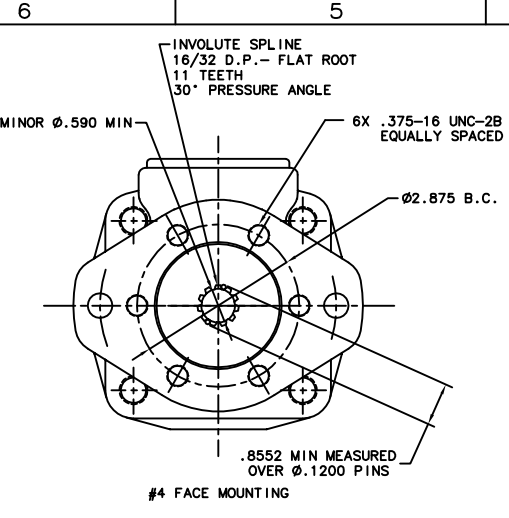
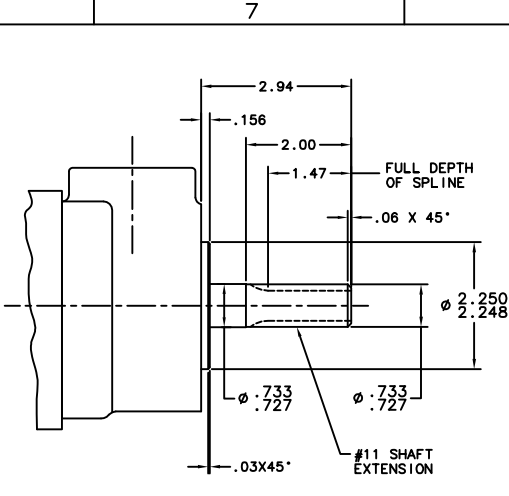
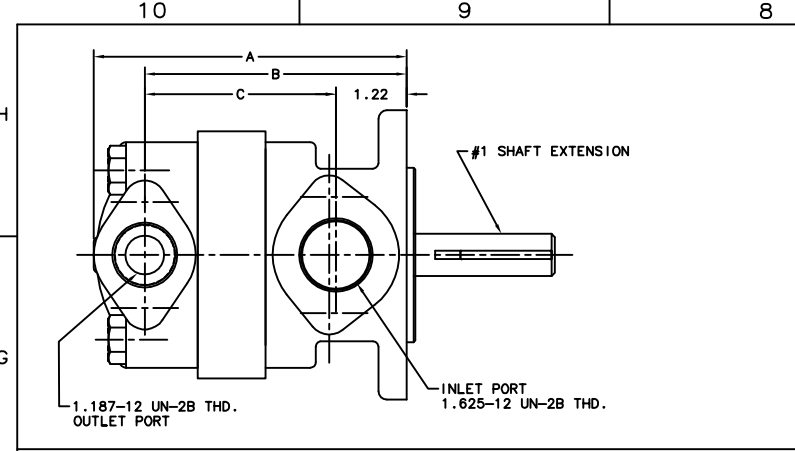
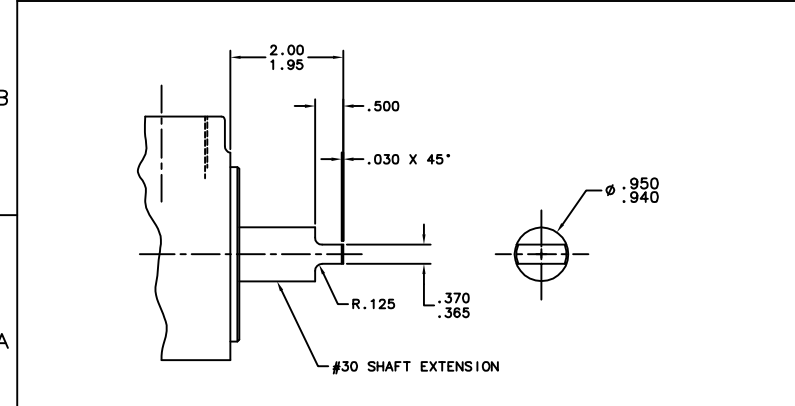


REV	DESCRIPTION	BY	CHK	DATE	ECN
M	REVISED & REDRAWN ON AUTOCAD	SNS	NSC	7-17-08	M73647



NOTE:  
 ① SHAFT NUT TORQUE RECOMMENDED 70-80 LB-FT.



DELIVERY G.P.M. AT 1200 R.P.M. & 100 P.S.I	DIMENSION				MAX. R.P.M	MAX. P.S.I
	A	B	C	D		
6	4.93	4.02	2.80	.615	3400	2500
7	5.18	4.27	3.05	.865	3000	2500
8	5.18	4.27	3.05	.865	2800	2500
9	5.18	4.27	3.05	.865	2800	2500
11	5.38	4.47	3.25	1.062	2500	2500
12	5.52	4.61	3.39	1.200	2400	2200
13	5.52	4.61	3.39	1.200	2400	2200

FOR THIS HIGH PERFORMANCE PRODUCT TO QUALIFY UNDER VICKERS WARRANTY, IT IS TO BE USED IN CIRCUITS THAT ARE INITIALLY & CONTINUOUSLY FILTERED TO 25 MICRONS OR LESS.

FLUID RECOMMENDATION:  
 SEE REFERENCE DATA SHEET M-2950-S  
 NORMAL ROTATION IS CLOCKWISE. FOR COUNTER CLOCKWISE ROTATION ADD SUFFIX "L" TO MODEL NO.  
 MODEL DESIGNATION - V20-\*\*\*\*\*10- REFER TO VICKERS MODEL CODE.

REVIEWED FOR CLASSIFICATION PER ESP-042

DRAWING BASED ON ANSI Y14.5M-1982

UNLESS OTHERWISE SPECIFIED ALL DIMENSIONS ARE IN INCHES

TOLERANCES

.XX ± .03	DRIVER BY/DATE	BY/DATE	MATERIAL/TREAT
.XXX ± .010	BY/DATE	BY/DATE	
< ± 2"	BY/DATE	BY/DATE	

UNSPECIFIED RADI ARE

UNSPECIFIED DRAFT ANGLES ARE

DRAWING FORMAT CADD

NOTICE TO PERSONS RECEIVING THIS DRAWING AND / OR TECHNICAL INFORMATION: Eaton Corporation claims proprietary rights in the information disclosed hereon. This document is issued in confidence and is not to be reproduced or used to manufacture anything shown hereon without the written permission of the Eaton Corporation.

Eaton Corporation  
 Hydraulic Division  
 13615 Long Dale Road  
 Eden Prairie, MN 55344

INSTALLATION - VANE PUMP

NUMBER 280700

SCALE 1/1 SHEET 1 of 1