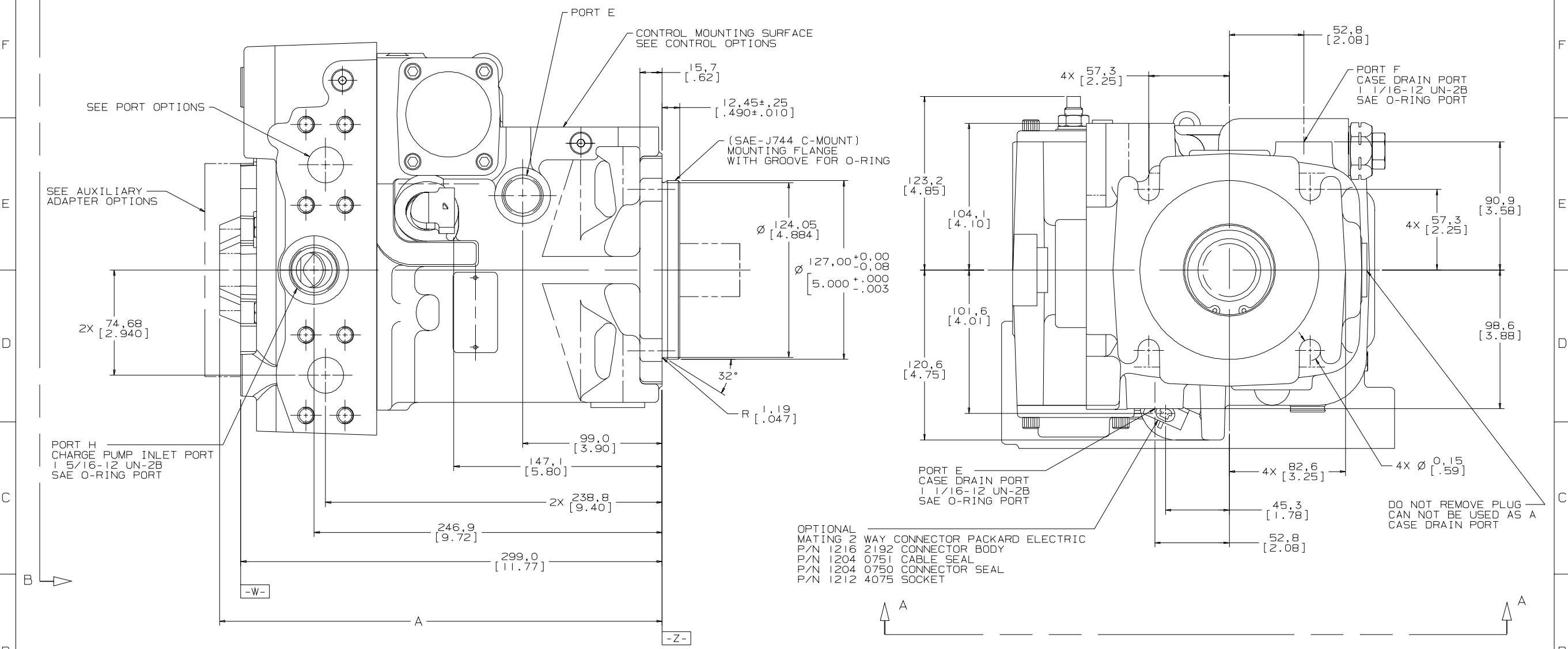


REV	DESCRIPTION	BY	CHK	DATE	ECN
A	ENGINEERING RELEASE	RLJ	JED	3-28-00	M23176
B	SHT 114C (REVISED MATING CONNECTOR CALL-OUT)	JMS	JMS	9-30-03	24352
C	SHT 117A DIM A WAS 300.3 [11.82], 305.7 [11.96], 307.2 [12.10] AND 314.1 [12.37]	MJZ	MJZ	3-3-04	47059



VIEW A-A
ROTATED 90°

NOTE

- FOR ADDITIONAL INFORMATION ON INSTALLATION, START-UP PROCEDURES, AND RECOMMENDED FLUIDS, CONTACT YOUR EATON REPRESENTATIVE.
- ALL PORTS SEALED FOR SHIPPING.
- UNLESS OTHERWISE SPECIFIED ALL DIMENSIONS ARE NOMINAL.
- UNIT SHAFT ROTATION SPECIFIED IS VIEWED FROM INPUT SHAFT END.

CHARGE PUMP DISPLACEMENT	DIM A
13.9 cm ³ /r [0.85 in ³ /r]	309.9 [12.20]
17.4 cm ³ /r [1.06 in ³ /r]	315.4 [12.34]
21.0 cm ³ /r [1.28 in ³ /r]	317.0 [12.48]
27.9 cm ³ /r [1.70 in ³ /r]	323.8 [12.75]

OPTIONAL MATING 2 WAY CONNECTOR PACKARD ELECTRIC
P/N 1216 2185 CONNECTOR BODY
P/N 1204 0751 CABLE SEAL
P/N 1204 0755 CONNECTOR SEAL
P/N 1212 4075 SOCKET

DO NOT REMOVE PLUG CAN NOT BE USED AS A CASE DRAIN PORT

REVIEWED FOR CLASSIFICATION PER ESP-042

DRAWING BASED ON ANSI Y14.5M-1982

THE REPRODUCTION, DISTRIBUTION, AND UTILIZATION OF THIS DRAWING IS RESTRICTED TO THE COMPANY OR ITS AUTHORIZED AGENTS. ANY OTHER REPRODUCTION OR DISTRIBUTION WITHOUT THE WRITTEN AUTHORIZATION OF THE COMPANY IS PROHIBITED. DETENTION WILL BE HELD HARMLESS FOR THE PROPERTY OF COMPANY. THIS DRAWING IS THE PROPERTY OF THE COMPANY AND IS NOT TO BE REPRODUCED OR DISTRIBUTED IN ANY MANNER WITHOUT THE WRITTEN AUTHORIZATION OF THE COMPANY.

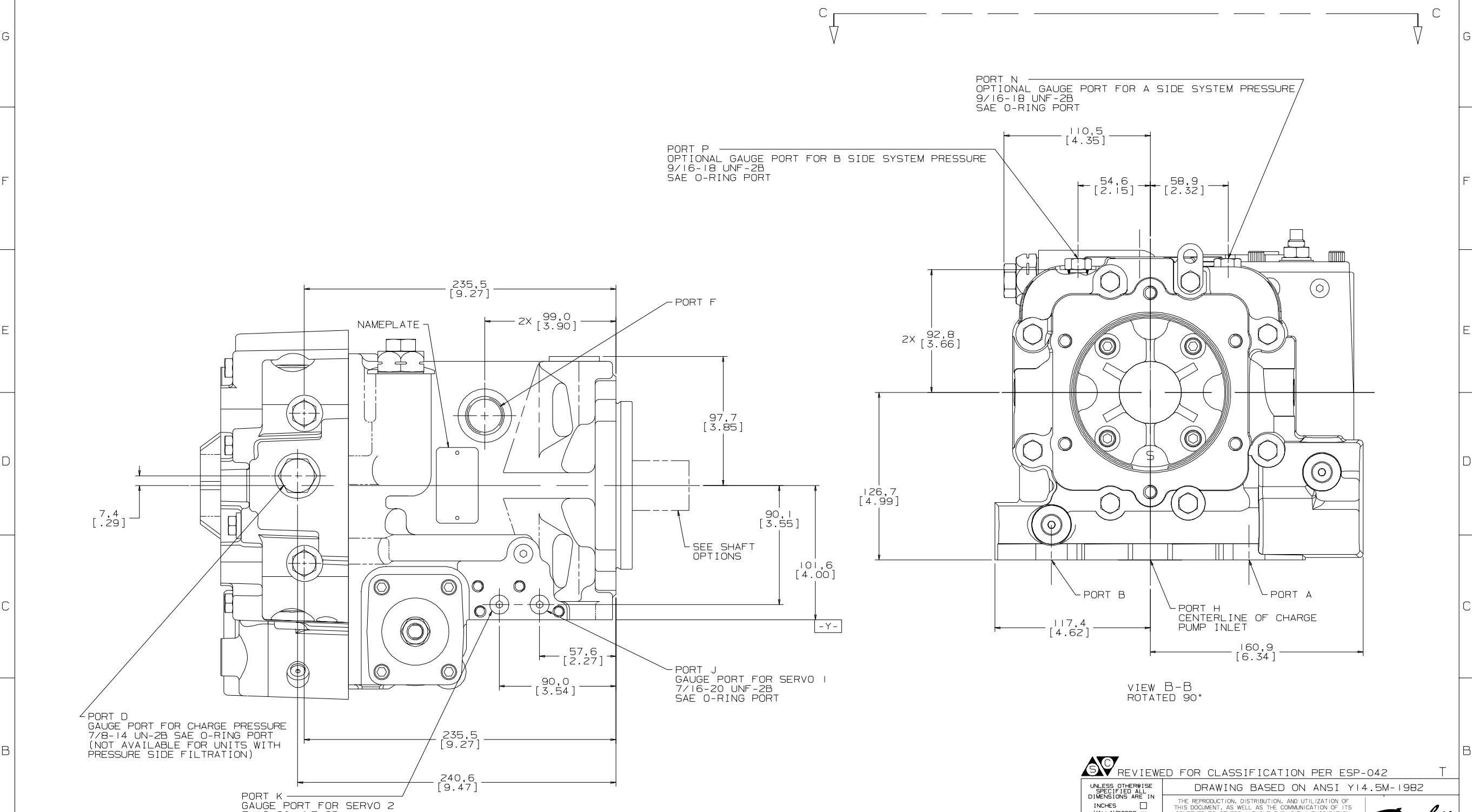
54, 64, 75 CC SERIES 2 VARIABLE PUMP INSTALLATION. HIGH TORQUE, SAME SIDE PORTS

A-991-025

SCALE 1/1

SHEET 1 OF 2

REV	DESCRIPTION	BY	CHK	DATE	ECN
C	SEE SHEET 1 FOR REVISION				



VIEW B-B
ROTATED 90°

VIEW C-C
ROTATED 90°

NOTE

- FOR ADDITIONAL INFORMATION ON INSTALLATION, START-UP PROCEDURES, AND RECOMMENDED FLUIDS, CONTACT YOUR EATON REPRESENTATIVE.
- ALL PORTS SEALED FOR SHIPPING.
- UNLESS OTHERWISE SPECIFIED ALL DIMENSIONS ARE NOMINAL.
- UNIT SHAFT ROTATION SPECIFIED IS VIEWED FROM INPUT SHAFT END.

CHARGE PUMP DISPLACEMENT	DIM A
13.9 cm ³ /r [0.85 in ³ /r]	309.9 [12.20]
17.4 cm ³ /r [1.06 in ³ /r]	315.4 [12.34]
21.0 cm ³ /r [1.28 in ³ /r]	317.0 [12.48]
27.9 cm ³ /r [1.70 in ³ /r]	323.8 [12.75]

OPTIONAL MATING 2 WAY CONNECTOR PACKARD ELECTRIC
P/N 1216 2185 CONNECTOR BODY
P/N 1204 0751 CABLE SEAL
P/N 1204 0755 CONNECTOR SEAL
P/N 1212 4075 SOCKET

DO NOT REMOVE PLUG CAN NOT BE USED AS A CASE DRAIN PORT

REVIEWED FOR CLASSIFICATION PER ESP-042

DRAWING BASED ON ANSI Y14.5M-1982

THE REPRODUCTION, DISTRIBUTION, AND UTILIZATION OF THIS DRAWING IS RESTRICTED TO THE COMPANY OR ITS AUTHORIZED AGENTS. ANY OTHER REPRODUCTION OR DISTRIBUTION WITHOUT THE WRITTEN AUTHORIZATION OF THE COMPANY IS PROHIBITED. DETENTION WILL BE HELD HARMLESS FOR THE PROPERTY OF COMPANY. THIS DRAWING IS THE PROPERTY OF THE COMPANY AND IS NOT TO BE REPRODUCED OR DISTRIBUTED IN ANY MANNER WITHOUT THE WRITTEN AUTHORIZATION OF THE COMPANY.

54, 64, 75 CC SERIES 2 VARIABLE PUMP INSTALLATION. HIGH TORQUE, SAME SIDE PORTS

A-991-025

SCALE 1/1

SHEET 2 OF 2