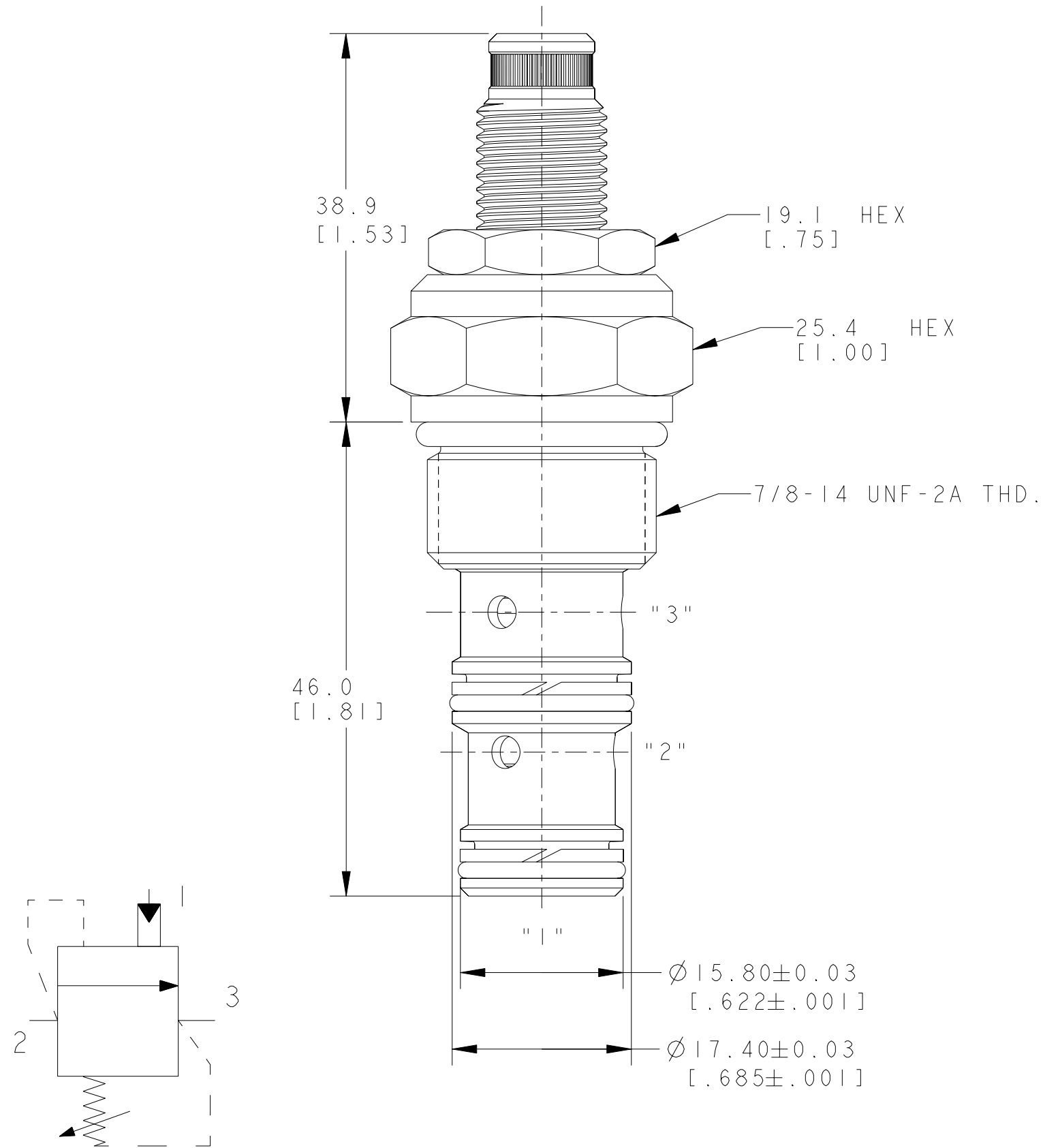


| REV | DESCRIPTION | BY | CHK | DATE | ECN / MPS |
|-----|---------------------|-----|-----|---------|-----------|
| A | ENGINEERING RELEASE | RSI | JGS | 2/12/05 | M63978 |



NOTE:
 1. USE VALVE CAVITY C-10-3.
 2. NET WEIGHT OF CARTRIDGE: 0.15kg [.33 lb]
 3. TORQUE INTO CAVITY:
 ALUMINIUM CAVITY: 47-54 N.m [35-40 lbf.ft]
 STEEL CAVITY : 68-75 N.m [50-55 lbf.ft]

MC
 DISTRIBUTION CODE(S)

| | | |
|---|--|---------------------------------|
| UNLESS OTHERWISE SPECIFIED ALL DIMENSIONS ARE IN INCHES <input type="checkbox"/> MILLIMETERS (INCHES) <input checked="" type="checkbox"/> | DRAWING BASED ON ANSI Y14.5M-1982 | |
| | NOTICE TO PERSONS RECEIVING THIS DRAWING AND / OR TECHNICAL INFORMATION | |
| TOLERANCES .X ± -- .XX ± -- .XXX ± -- ∠ ± -- | Eaton Corporation claims proprietary rights in the information disclosed hereon. This document is issued in confidence and is not to be reproduced or used to manufacture anything shown hereon without the written permission of the Eaton Corporation. | |
| | DRAWN ARS BY/DATE 05/26/05 CHECKED RSI BY/DATE 05/26/05 | MATERIAL/HEAT TREAT -- -- |
| UNSPECIFIED RADII ARE: -- | ENGRG -- BY/DATE -- | TITLE PUV3-10-S INSTALLATION |
| UNSPECIFIED DRAFT ANGLES ARE: --° | <input checked="" type="checkbox"/> MICROINCHES <input type="checkbox"/> MICROMETERS (MICROINCHES) <input checked="" type="checkbox"/> ARITHMETICAL AVERAGE | NUMBER A-2682-077 |
| B SIZE | THIRD ANGLE PROJECTION DO NOT SCALE | SCALE 2/1 SHEET 1 OF 1 |