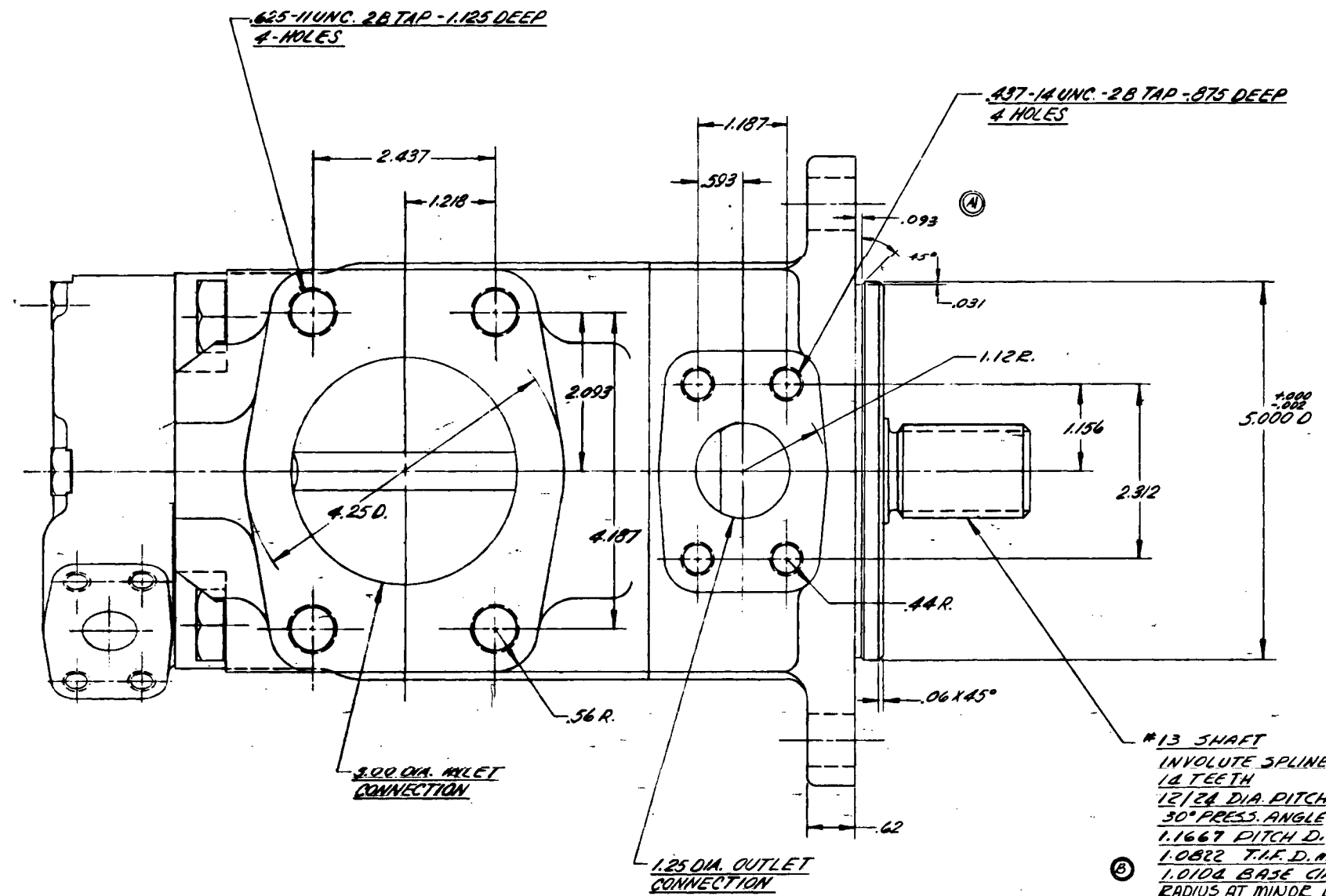
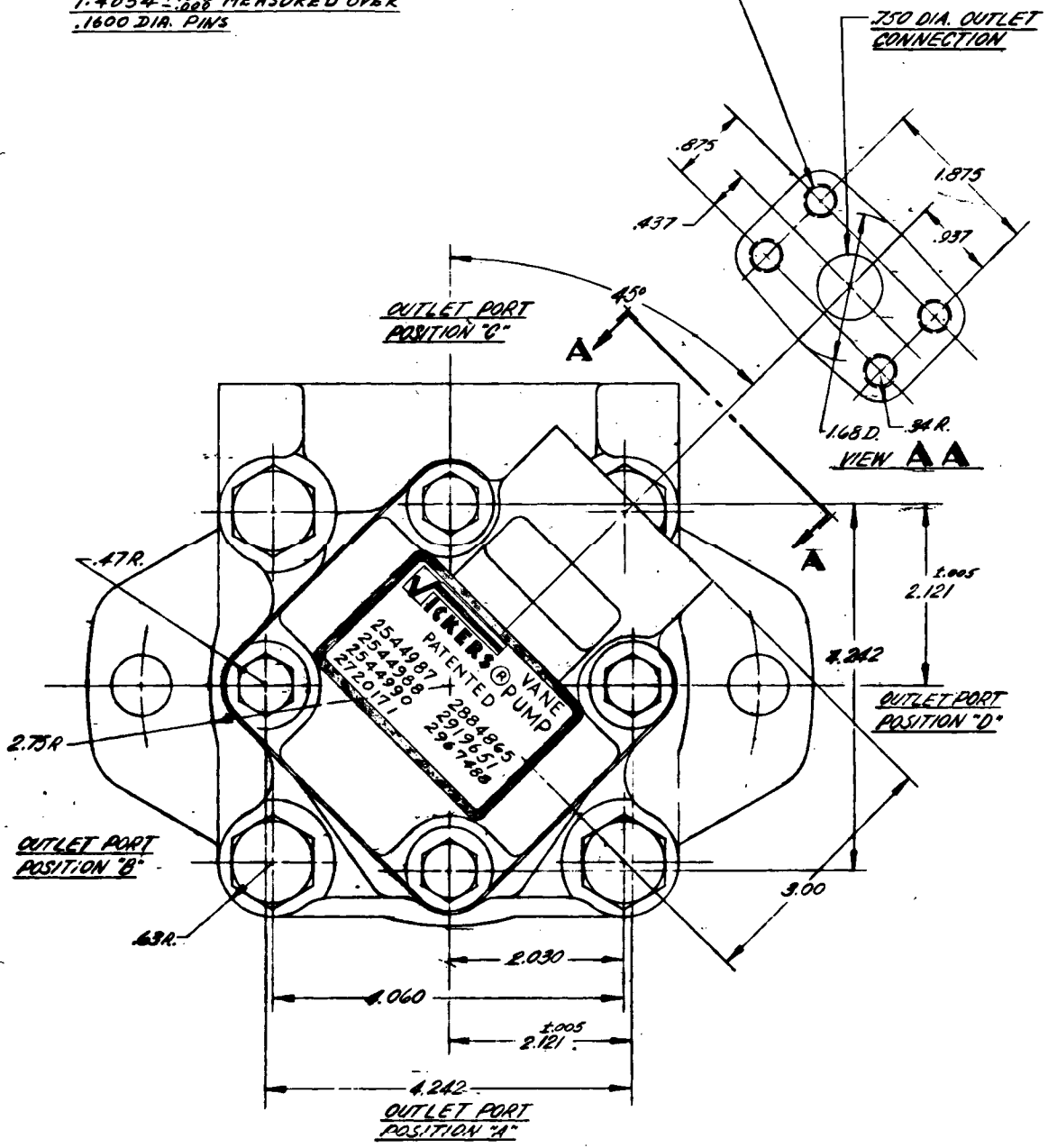
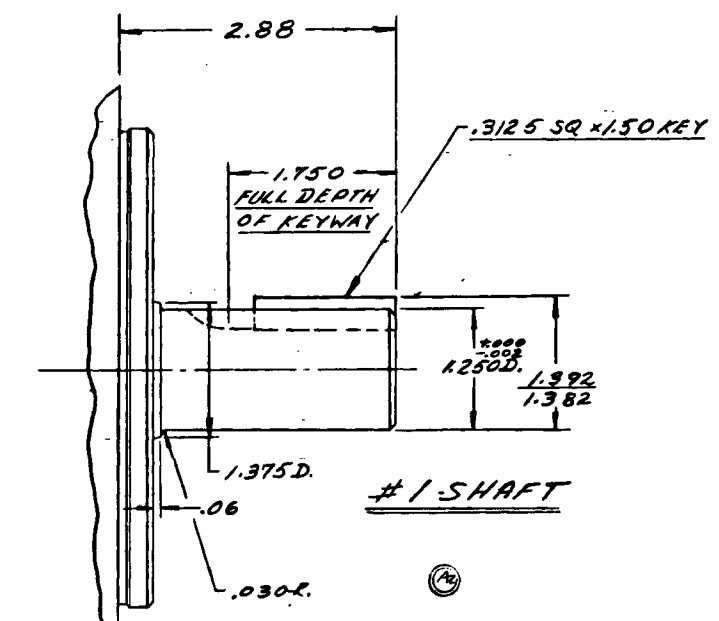


INVOLUTE SPLINE
14 TEETH
30° PRESSURE ANGLE
12/16" DIAMETRAL PITCH
1.0822 T.F. DIA. MAX.
1.4054 ±.005 MEASURED OVER
1.600 DIA. PINS

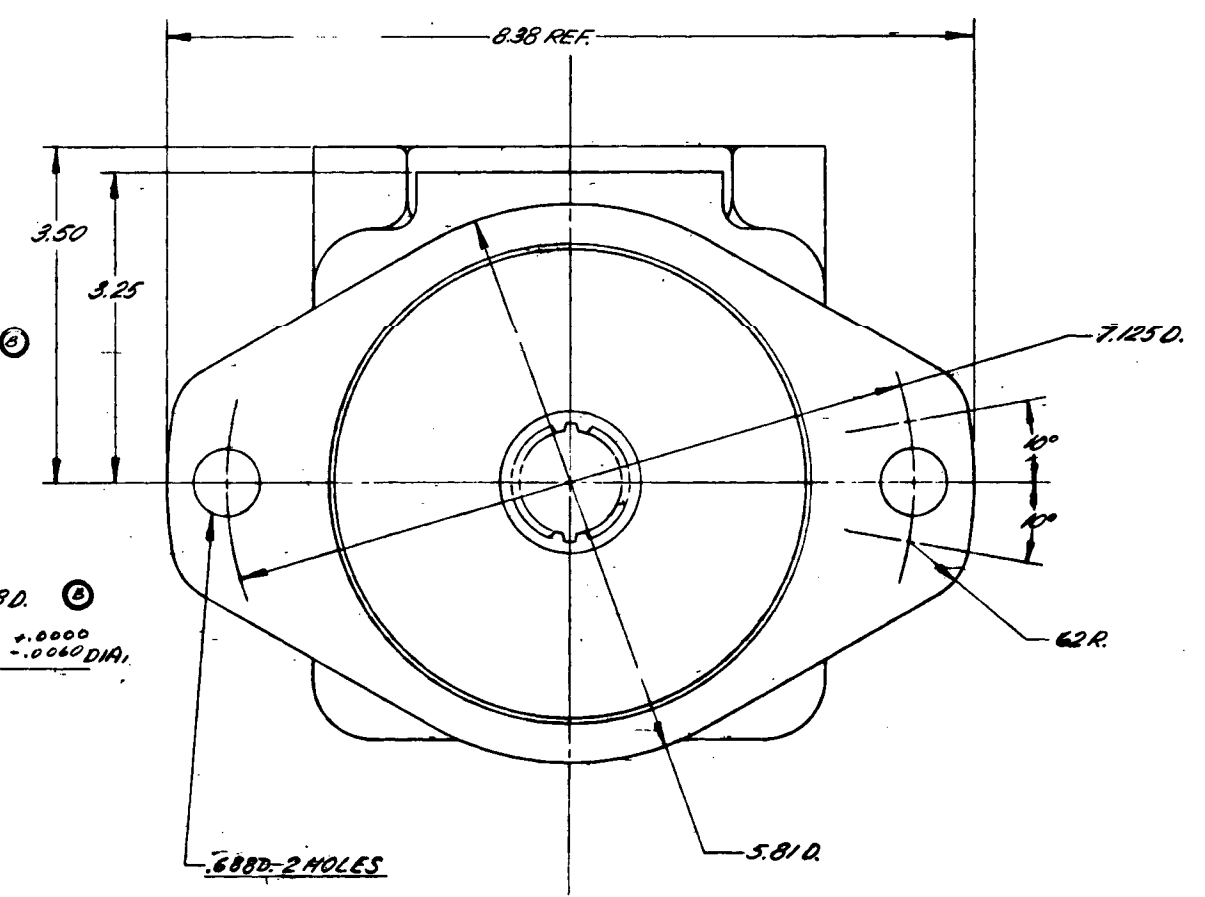
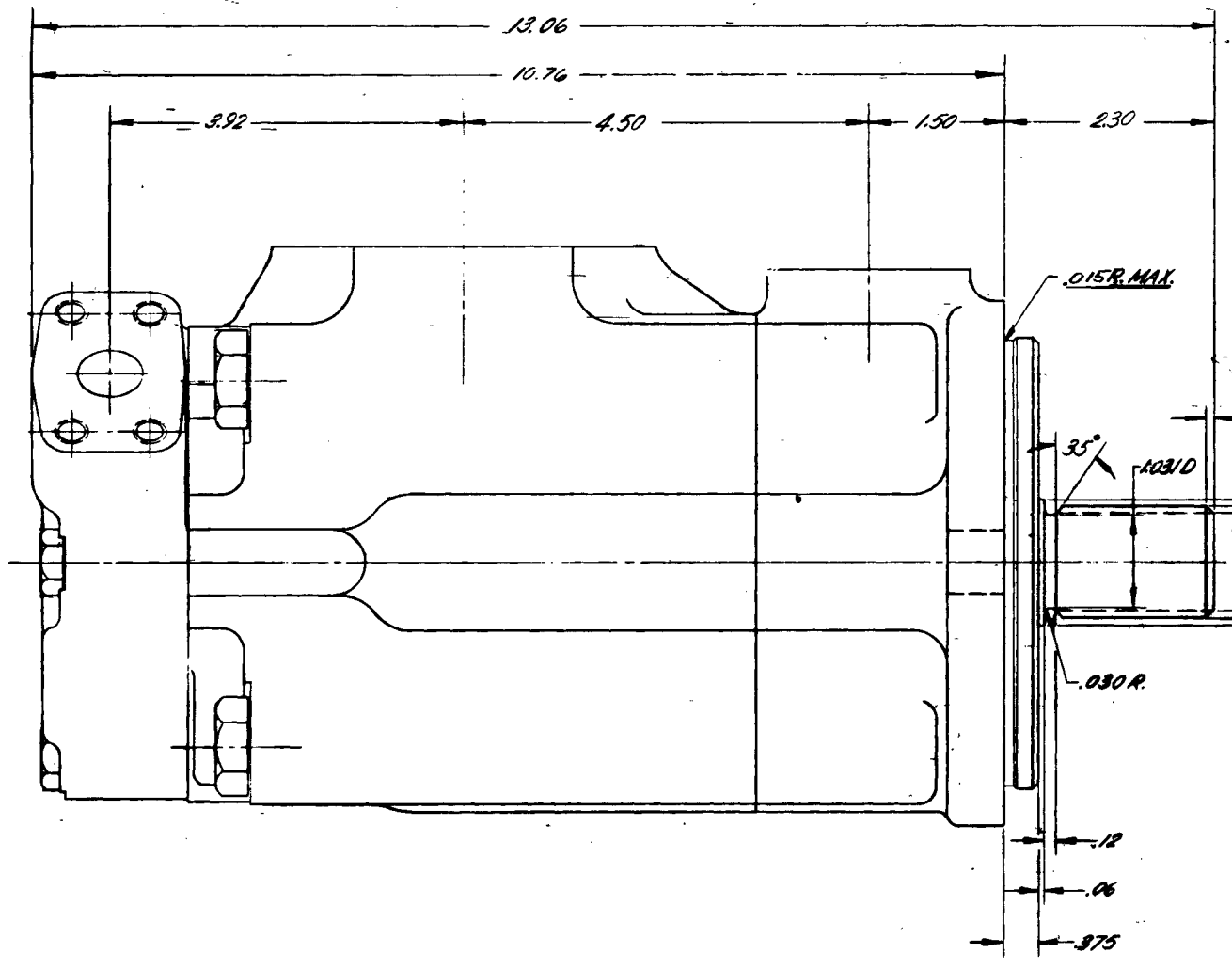
.375-16 UNC-2B TAP
.10 DEEP - 4 HOLES



#13 SHAFT
INVOLUTE SPLINE
14 TEETH
12/16" DIA. DITCH
30° PRESS. ANGLE
1.1667 DITCH D.
1.0822 T.F. DIA. MAX.
1.0104 BASE CIRCLE DIA.
RADIUS AT MINOR DIA. .007 MAX.
1.286 MAX EFF. TOOTH WIDTH
1.4046 ±.005 MEASURED OVER
OVER 1.600 DIA. PINS



OUTLET PORTS MAY BE ASSEMBLED IN ANY ONE OF FOUR POSITIONS WITH RESPECT TO INLET CONNECTION AND INDICATED IN MODEL NUMBER
EXAMPLE: 352C VRRXK-4A40



FOR THIS HIGH PERFORMANCE PRODUCT TO QUALIFY UNDER WORKERS WARRANTY, IT IS TO BE USED ONLY IN CIRCUITS THAT ARE INITIALLY AND CONTINUOUSLY FILTERED TO 25 MICRONS OR LESS

NORMAL ROTATION IS CLOCKWISE FOR COUNTERCLOCKWISE ROTATION ADD SUFFIX "L" TO MODEL NUMBER

OIL RECOMMENDATIONS	
HYDRAULIC SYSTEM OPERATING RANGE (MIN TO MAX)	OIL TYPE
0° TO 180°F.	SAE 10W OR AUTOMOTIVE TRANSMISSION FLUID TYPE "A"
15° TO 210°F.	S.A.E. 20
32° TO 230°F.	S.A.E. 30
0° TO 210°F.	S.A.E. 10W-30
PREFERRED VISCOSITY RANGE 4000 MAX. TO 60 MM. S.S.U.	

REV. 1	ADD 352 010 SER. (NEW)	DATE	
REV. 2	NOTE DMT'S REVISED	DATE	
REV. 3	#11 SHAFT ADDED	DATE	
REV. 4	#13 SHAFT ADDED	DATE	
REV. 5	UNDERCUT UNDERCUT	DATE	
REV. 6	0.031 ±.001	DATE	

INSTALLATION - VANE PUMP (DOUBLE) E 250875

250875

0-02

56

352C VRRXK-4A40

VIKERS VIKERS INSPECTED

FULL SIZE