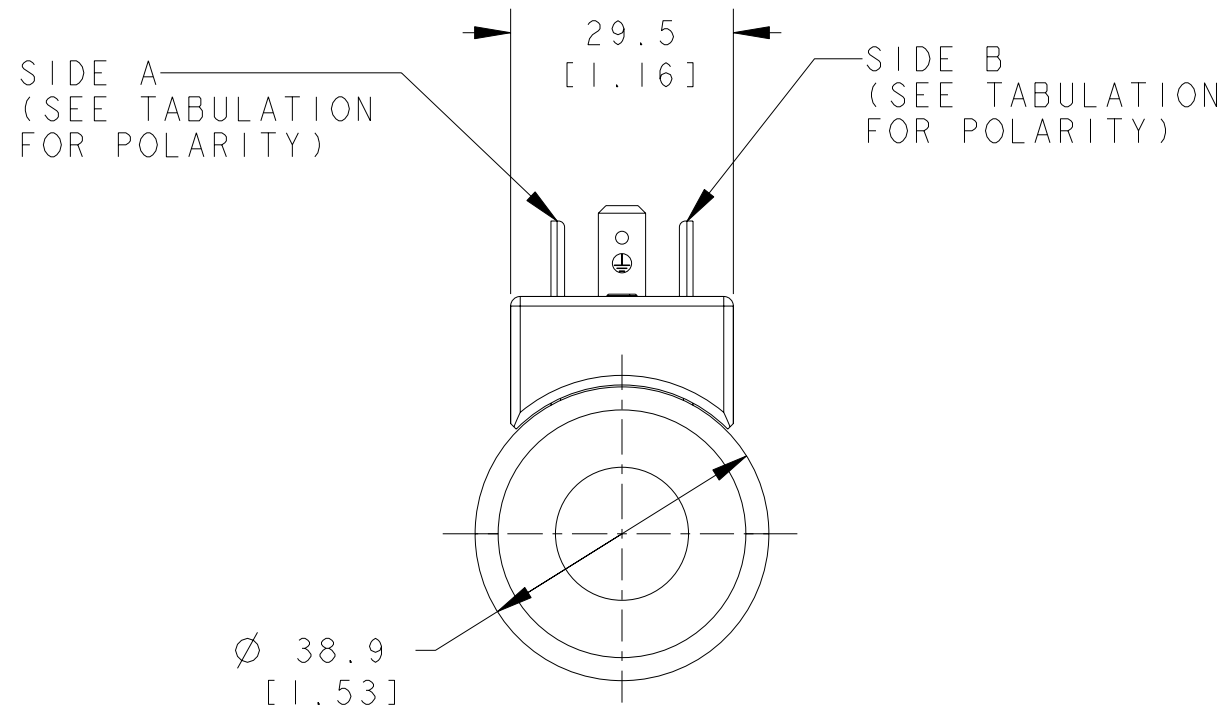
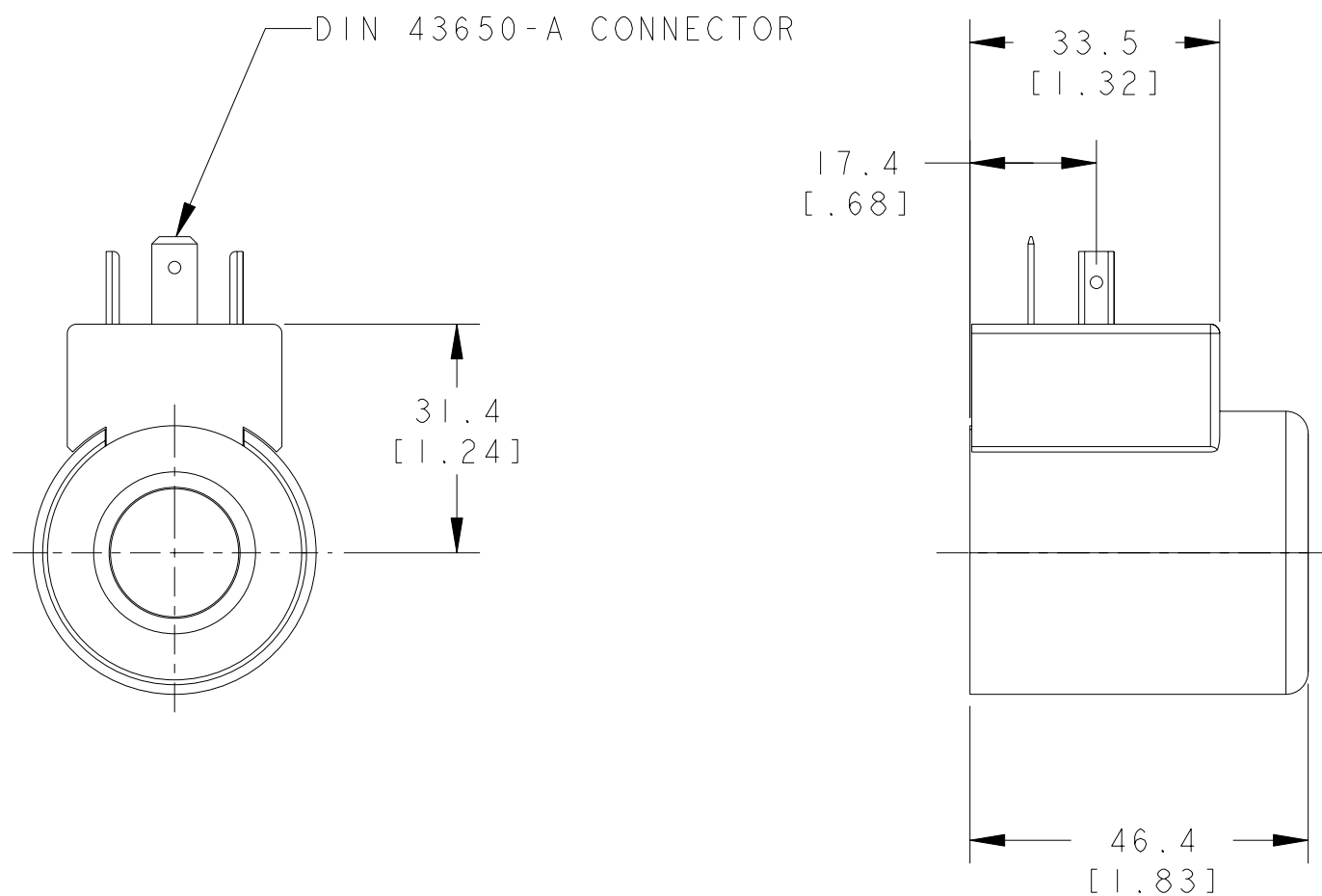


NUMBER	SIDE A POLARITY	SIDE B POLARITY
A-2503-001	N/A	N/A
A-2503-002	(+) POSITIVE	(-) NEGATIVE

REV	DESCRIPTION	BY	CHK	DATE	ECN / MPS
A	ENGINEERING RELEASE	JGS	CL	3/4/02	M27302



REVIEWED FOR CLASSIFICATION PER ESP-042

MC

DISTRIBUTION CODE(S)

UNLESS OTHERWISE SPECIFIED ALL DIMENSIONS ARE IN INCHES <input type="checkbox"/> MILLIMETERS (INCHES) <input checked="" type="checkbox"/>	DRAWING BASED ON ANSI Y14.5M-1982	
	NOTICE TO PERSONS RECEIVING THIS DRAWING AND / OR TECHNICAL INFORMATION Eaton Corporation claims proprietary rights in the information disclosed hereon. This document is issued in confidence and is not to be reproduced or used to manufacture anything shown hereon without the written permission of the Eaton Corporation.	
TOLERANCES .X ± .XX ± .XXX ± < ±	DRAWN JGS BY/DATE 4/30/04	MATERIAL/HEAT TREAT
	CHECKED CL BY/DATE 5/5/04	
UNSPECIFIED RADII ARE: ----	ENGRG CL BY/DATE 5/5/04	TITLE
	METALLURGY BY/DATE	SOLENOID COIL, SIZE 10 INSTALLATION DIN 43650-A
UNSPECIFIED DRAFT ANGLES ARE: ----°	 THIRD ANGLE PROJECTION	NUMBER A-2503-XXX
	B SIZE	
	DO NOT SCALE	SHEET 1 OF 1



Eaton Hydraulics, Inc.  
14615 Lone Oak Road  
Eden Prairie, Mn. 55344

MICROINCHES   
MICROMETERS (MICROINCHES)   
ARITHMETICAL AVERAGE