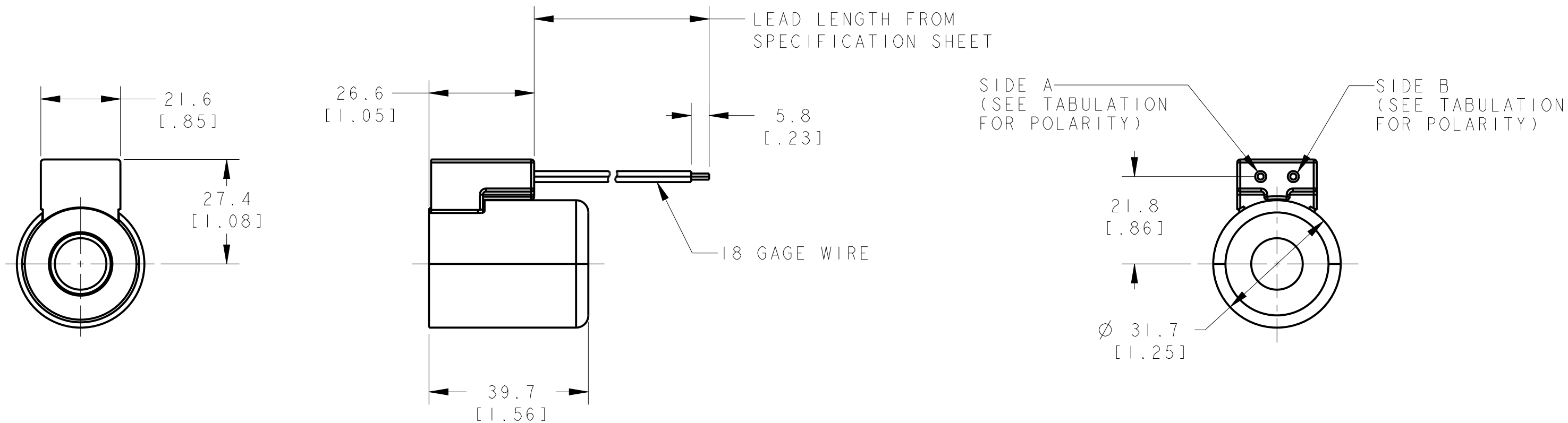


NUMBER	SIDE A POLARITY	SIDE B POLARITY
A-2512-001	N/A	N/A
A-2512-002	(+) POSITIVE	(-) NEGATIVE

REV	DESCRIPTION	BY	CHK	DATE	ECN / MPS
A	ENGINEERING RELEASE	JGS	CL	3/4/02	M27302
B	5.8[.23] WAS 4.6[.18]	RSI	SSK	02/25/05	50938
C	REVISED SEE ECO 0116462	MBK	VKN	10/30/15	0116462



 REVIEWED FOR CLASSIFICATION PER ESP-042

UNLESS OTHERWISE SPECIFIED ALL DIMENSIONS ARE IN INCHES <input type="checkbox"/> MILLIMETERS (INCHES) <input checked="" type="checkbox"/>	DRAWING BASED ON ASME Y14.5-2009	
	THE REPRODUCTION, DISTRIBUTION, AND UTILIZATION OF THIS DOCUMENT, AS WELL AS THE COMMUNICATION OF ITS CONTENTS TO OTHERS WITHOUT EXPLICIT AUTHORIZATION IS PROHIBITED. OFFENDERS WILL BE HELD LIABLE FOR THE PAYMENT OF DAMAGES. ALL RIGHTS RESERVED IN THE EVENT OF THE GRANT OF A PATENT, UTILITY MODEL, OR DESIGN. (PER ISO 16016)	
TOLERANCES .X ± .XX ± .XXX ± ∠ ±	DRAWN JGS BY/DATE 5/4/04	MATERIAL/HEAT TREAT \
UNSPECIFIED RADII ARE: ----	CHECKED CL BY/DATE 5/12/04	TITLE SOLENOID COIL, SIZE 8 INSTALLATION LEAD
UNSPECIFIED DRAFT ANGLES ARE: -----°	ENGRG CL BY/DATE 5/12/04	NUMBER A-2512-XXX
B SIZE	METALLURGY BY/DATE \	SCALE 1/1
	THIRD ANGLE PROJECTION DO NOT SCALE	SHEET 1 OF 1
	MICROINCHES <input type="checkbox"/> MICROMETERS (MICROINCHES) <input checked="" type="checkbox"/>	
	ARITHMETICAL AVERAGE <input checked="" type="checkbox"/>	

Danfoss