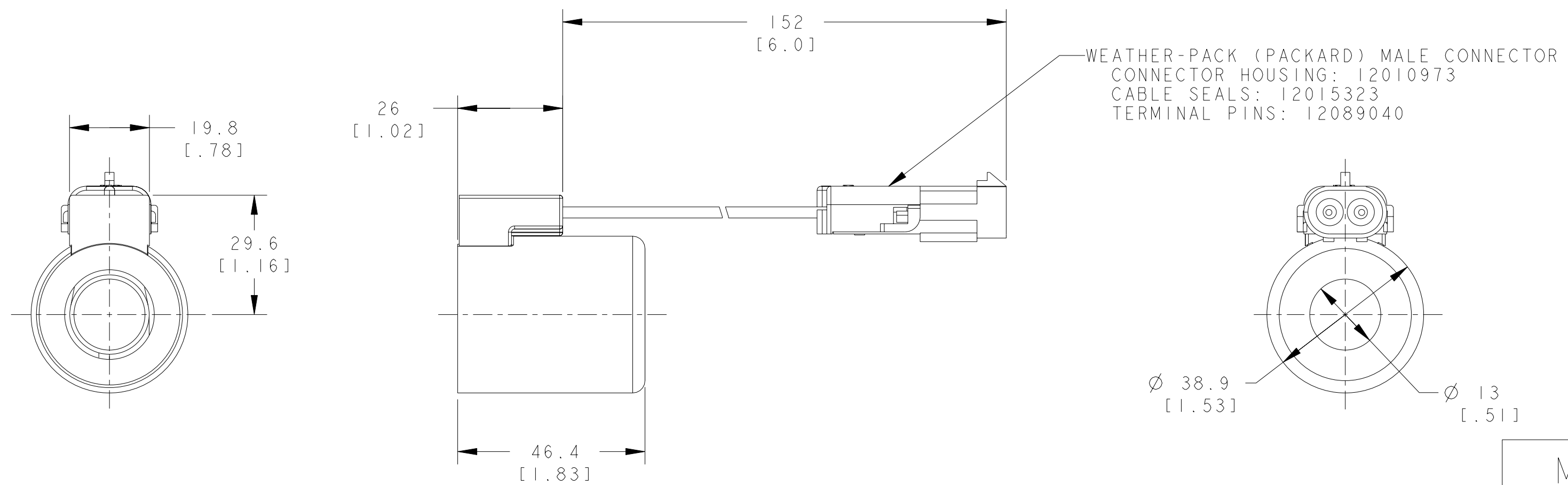


REV	DESCRIPTION	BY	CHK	DATE	ECN / MPS
A	ENGINEERING RELEASE	LMD	LMD	11-11-05	M65869A



MC
DISTRIBUTION CODE(S)

- NOTE
- 1 COIL ENCAPSULANT: GLASS FILLED NYLON
 - 2 MAGNET WIRE: UL CLASS N 200°C [392°F]
 - 3 VOLTAGE: 12 VDC
 - 4 RESISTANCE: 6.1 OHMS
 - 5 POWER RATING: 23.5 WATTS
 - 6 LEAD WIRE: 18 GAGE, UL STYLE 3173, CSA CL 1251

UNLESS OTHERWISE SPECIFIED ALL DIMENSIONS ARE IN INCHES <input type="checkbox"/> MILLIMETERS (INCHES) <input checked="" type="checkbox"/>	DRAWING BASED ON ANSI Y14.5M-1982	
	THE REPRODUCTION, DISTRIBUTION, AND UTILIZATION OF THIS DOCUMENT, AS WELL AS THE COMMUNICATION OF ITS CONTENTS TO OTHERS WITHOUT EXPLICIT AUTHORIZATION IS PROHIBITED. OFFENDERS WILL BE HELD LIABLE FOR THE PAYMENT OF DAMAGES. ALL RIGHTS RESERVED IN THE EVENT OF THE GRANT OF A PATENT, UTILITY MODEL, OR DESIGN. (PER ISO 16016)	
TOLERANCES .X ± ---- .XX ± ---- .XXX ± ---- ∠ ± ----	DRAWN LMD BY/DATE 11-11-05	MATERIAL/HEAT TREAT
	CHECKED LMD BY/DATE 11-11-05	
UNSPECIFIED RADII ARE: ----	ENGRG CML BY/DATE 11-14-05	TITLE SOLENOID COIL, SIZE 10 INSTALLATION WEATHER-PACK (PACKARD) MALE
	METALLURGY BY/DATE ----	
UNSPECIFIED DRAFT ANGLES ARE: ----°	<input checked="" type="checkbox"/> THIRD ANGLE PROJECTION	NUMBER 300AA00172A
	<input type="checkbox"/> DO NOT SCALE	
B SIZE	ARITHMETICAL AVERAGE <input checked="" type="checkbox"/>	SCALE 1/1 SHEET 1 OF 1

