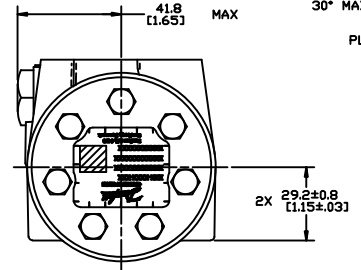
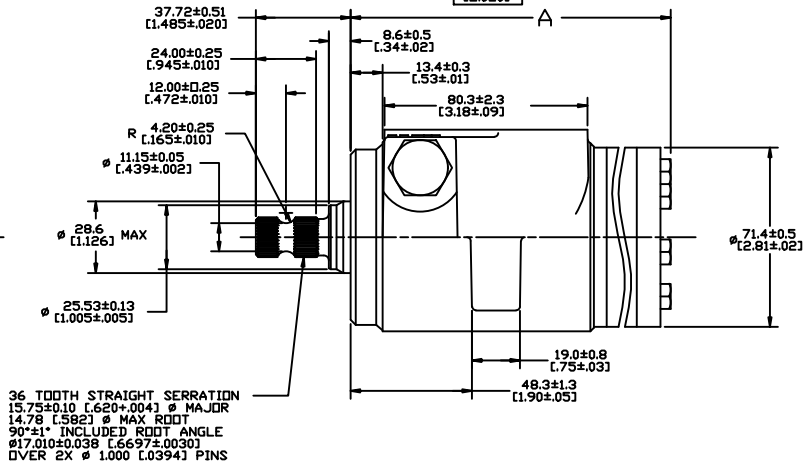
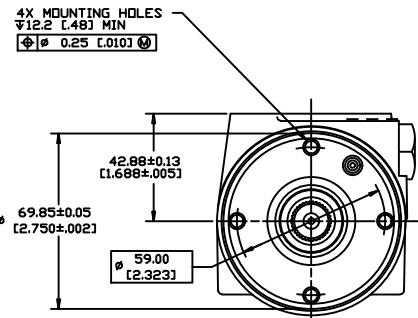
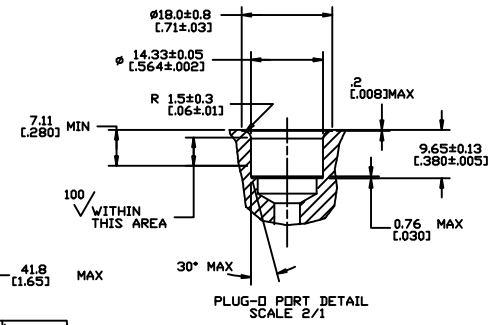
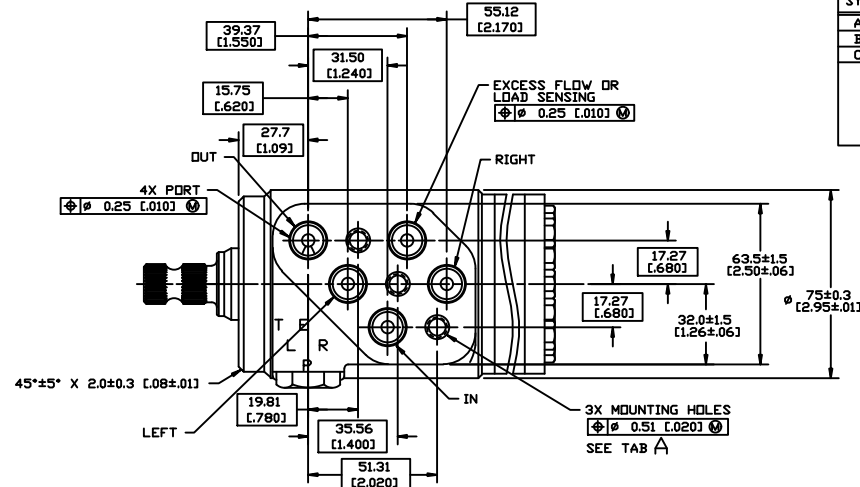


DISPLACEMENT		A	MAX
CODE	cm ³ /r [ln3/r]		
35	31.5 [1.92]	123.4	[4.86]
37	39.5 [2.41]	125.2	[4.93]
39	50.8 [3.10]	124.2	[4.89]
41	63.1 [3.85]	126.2	[4.97]
43	73.8 [4.50]	128	[5.04]
46	100 [6.10]	132.3	[5.21]
48	120.0 [7.33]	135.4	[5.33]

SYM	REVISION		BY	DATE	ECN
	A	B			
A	RELEASE FOR SAMPLES AND ESTIMATE		AH	07/29/78	M26635
B	ENGINEERING RELEASE		AH	07/28/78	M26635A
C	REVISED SEE ECD		KRD	07/28/78	N78077-1



MRSG

UNLESS OTHERWISE SPECIFIED ALL DIMENSIONS ARE IN INCHES	DRAWING BASED ON ANSI Y14.5M-1982		<small>THE REPRODUCTION, DISTRIBUTION AND UTILIZATION OF THIS DOCUMENT AS WELL AS THE COMMUNICATION OF ITS CONTENTS TO OTHER WITHOUT EXPLICIT AUTHORIZATION IS PROHIBITED. OFFENSES WILL BE HELD LIABLE FOR THE PAYMENT OF DAMAGES. ALL RIGHTS RESERVED IN THE EVENT OF THE GRANT OF A PATENT, UTILITY MODEL OR DESIGN OVER 100 WORDS</small>	
<input type="checkbox"/> MILLIMETERS <input checked="" type="checkbox"/> INCHES	DATE: AH 1/4/02 DRAWN: AH 1/4/02 UNDESIGNED DIMS ARE: TAH 1/7/02 UNDESIGNED DRAFT ANGLES ARE: W/SCALE	MATERIAL/TREAT: _____ TITLE: MINI SCU INSTALLATION NUMBER: A-274-011 SCALE: 1/1 SHEET: 1 OF 1		
TOLERANCES:	<input type="checkbox"/> FRACTIONAL <input type="checkbox"/> DECIMAL <input type="checkbox"/> MIXED	<input type="checkbox"/> THIRD ANGLE PROJECTION <input checked="" type="checkbox"/> DO NOT SCALE <input type="checkbox"/> METRICAL DIMENSIONS		