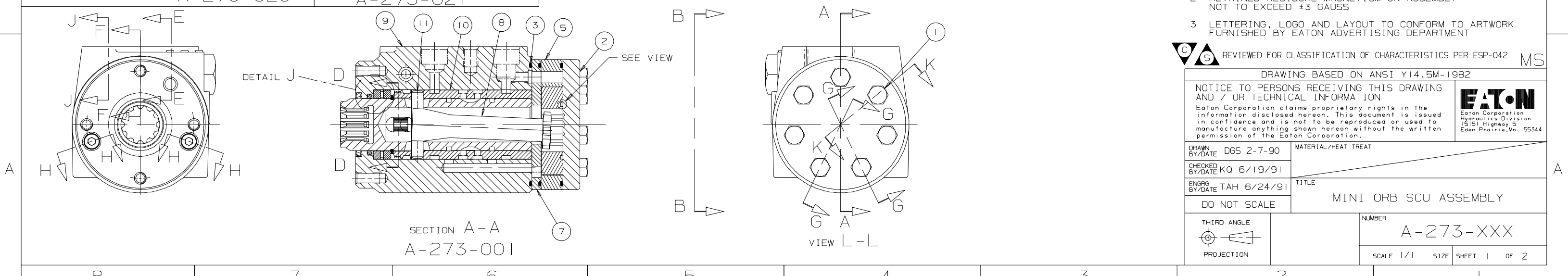
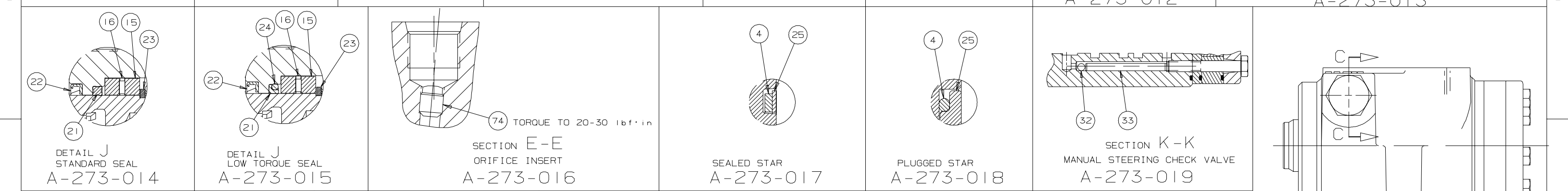
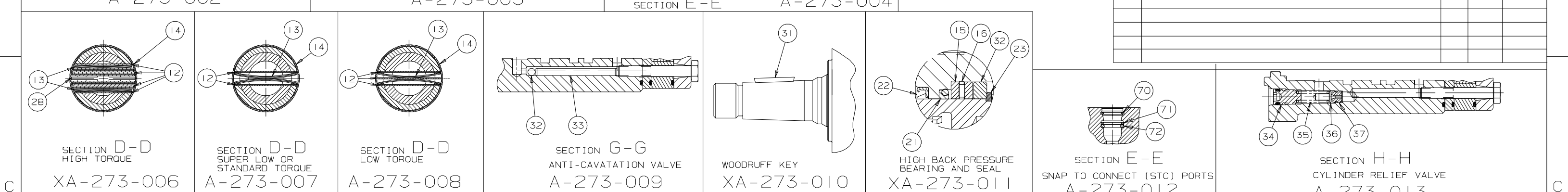


SYM	REVISION	BY	DATE	ECN
A	RELEASE FOR SAMPLES AND ESTIMATE	DGS	7/7/90	X5156
C	ENGINEERING RELEASE	DGS	5/8/91	20209
AT	SHEET 2 (BC) ADDED XA-273-022	RRS	12/08/99	36037
AU	(1) (60) SHEET 2 ADDED A-273-023 (2) (40) SHEET 2 ADDED A-273-024	AAD	12/14/99	35996
AV	SHEET 1 (4B) ENGINEERING RELEASE A-273-018	VLG	06/24/12	M955864
AW	SHEET 2 (BC) ADDED A-273-025	VLG	11/07/12	M971534
AY	SHEET 2 (BC) WAS "SEMT PLUGGED STAR"	VLG	08/19/13	0081180



NOTE

- UNLESS OTHERWISE SPECIFIED ALL DIMENSIONS ARE IN MILLIMETERS (INCHES)
- RETAINED RESIDUAL MAGNETISM ON ASSEMBLY NOT TO EXCEED +3 GAUSS
- LETTERING, LOGO AND LAYOUT TO CONFORM TO ARTWORK FURNISHED BY EATON ADVERTISING DEPARTMENT

REVIEWED FOR CLASSIFICATION OF CHARACTERISTICS PER ESP-042 MS

DRAWING BASED ON ANSI Y14.5M-1982

NOTICE TO PERSONS RECEIVING THIS DRAWING AND / OR TECHNICAL INFORMATION

Eaton Corporation claims proprietary rights in the information disclosed herein. This document is issued in confidence and is not to be reproduced or used to manufacture anything shown herein without the written permission of the Eaton Corporation.

DATE: DGS 2-7-90 MATERIAL/HEAT TREAT

BY: KO 6/19/91

ENGR: TAH 6/24/91

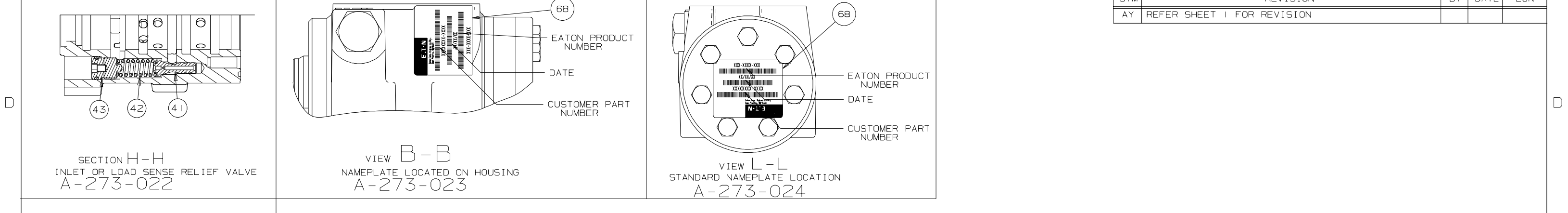
DO NOT SCALE

THIRD ANGLE PROJECTION

TITLE: MINI ORB SCU ASSEMBLY

NUMBER: A-273-XXX

SCALE: 1/1 SIZE: SHEET 1 OF 2



SYM	REVISION	BY	DATE	ECN
AY	REFER SHEET 1 FOR REVISION			

DRAWING BASED ON ANSI Y14.5M-1982

NOTICE TO PERSONS RECEIVING THIS DRAWING AND / OR TECHNICAL INFORMATION

Eaton Corporation claims proprietary rights in the information disclosed herein. This document is issued in confidence and is not to be reproduced or used to manufacture anything shown herein without the written permission of the Eaton Corporation.

DATE: DGS 2-7-90 MATERIAL/HEAT TREAT

BY: KO 6/19/91

ENGR: TAH 6/24/91

DO NOT SCALE

THIRD ANGLE PROJECTION

TITLE: MINI ORB SCU ASSEMBLY

NUMBER: A-273-XXX

SCALE: 1/1 SIZE: SHEET 2 OF 2