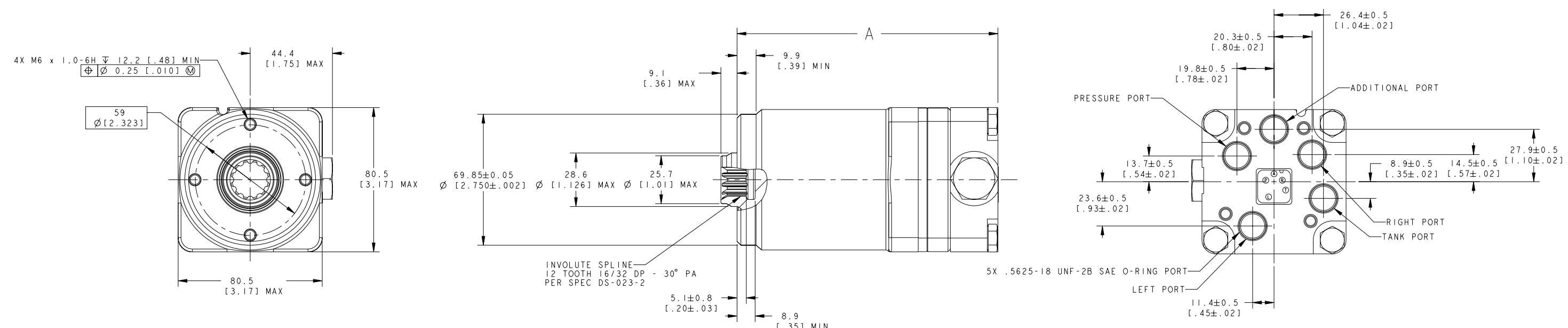


DISPLACEMENT		A MAX
CODE	cm ³ /r [in ³ /r]	
35	31.5 [1.92]	135.1 [5.32]
37	39.5 [2.41]	137.2 [5.40]
39	50.8 [3.10]	136.1 [5.36]
41	63.1 [3.85]	137.9 [5.43]
43	73.8 [4.50]	139.7 [5.50]
46	100 [6.10]	144 [5.67]
48	120 [7.33]	147.3 [5.80]
50	146 [8.90]	151.4 [5.96]

REV	DESCRIPTION	BY	CHK	DATE	ECN / MPS
A	RELEASE FOR SAMPLES AND ESTIMATES	LMD	LMD	1-25-02	M27110
B	-1)(1C) 27.7±0.5 [1.09±.02] WAS 25.4±0.5 [1.00±.02] -2)(1B) 7.1±0.5 [0.28±.02] WAS 5.8±0.5 [0.23±.02] -3)(1C) 29.2±0.5 [1.15±.02] WAS 28.4±0.5 [1.12±.02]	LMD	LMD	2-14-02	X40445
C	(7B) ADDED INLET RELIEF PLUG	LMD	LMD	1-31-02	M27161
D	(2C) CHANGED TIMING MARK PICTORIALY	LMD	LMD	3-19-02	X40739
E	-1)(2B) RIGHT PORT WAS LEFT PORT -2)(2B) LEFT POT WAS RIGHT PORT -3)(2B) ADDED PORT CALLOUT NAMEPLATE	LMD	LMD	4-8-02	X40899
F	(2B) REVISED PORT LOCATIONS	LMD	LMD	5-3-02	X41152
G	(2C) ADDED 4 TAPPED HOLES TO END CAP	LMD	LMD	5-20-02	X41272
H	ENGINEERING RELEASE	LMD	LMD	8-1-02	41899
J	(2B) CHANGED NAMEPLATE PICTORIALY	LMD	LMD	4-15-03	43998
K	ADDED DISPLACEMENT 146.cm ³ /r 8.9.in ³ /r	AH	AH	5-9-03	M30797



UNLESS OTHERWISE SPECIFIED ALL DIMENSIONS ARE IN INCHES		DRAWING BASED ON ANSI Y14.5M-1982	
MILLIMETERS (INCHES)		NOTICE TO PERSONS RECEIVING THIS DRAWING AND / OR TECHNICAL INFORMATION	
TOLERANCES		Eaton Corporation claims proprietary rights in the information disclosed hereon. This document is issued in confidence and is not to be reproduced or used to manufacture anything shown hereon without the written permission of the Eaton Corporation.	
.X ±	----	DRAWN LMD	MATERIAL/HEAT TREAT
.XX ±	----	BY/DATE 1-4-02	
.XXX ±	----	CHECKED LMD	
∠ ±	----	BY/DATE 1-4-02	
UNSPECIFIED RADII ARE:		ENGRG AWS	TITLE
		BY/DATE 2-1-02	STEERING CONTROL UNIT INSTALLATION
UNSPECIFIED DRAFT ANGLES ARE:		METALLURGY	
		BY/DATE	
		THIRD ANGLE PROJECTION	NUMBER
		DO NOT SCALE	A-274-010
		ARITHMETICAL AVERAGE	SCALE 1/1 SHEET 1 OF 1

M
DISTRIBUTION CODE(S)



Eaton Hydraulics, Inc.
14615 Lone Oak Road
Evan Prairie, Mo. 55344