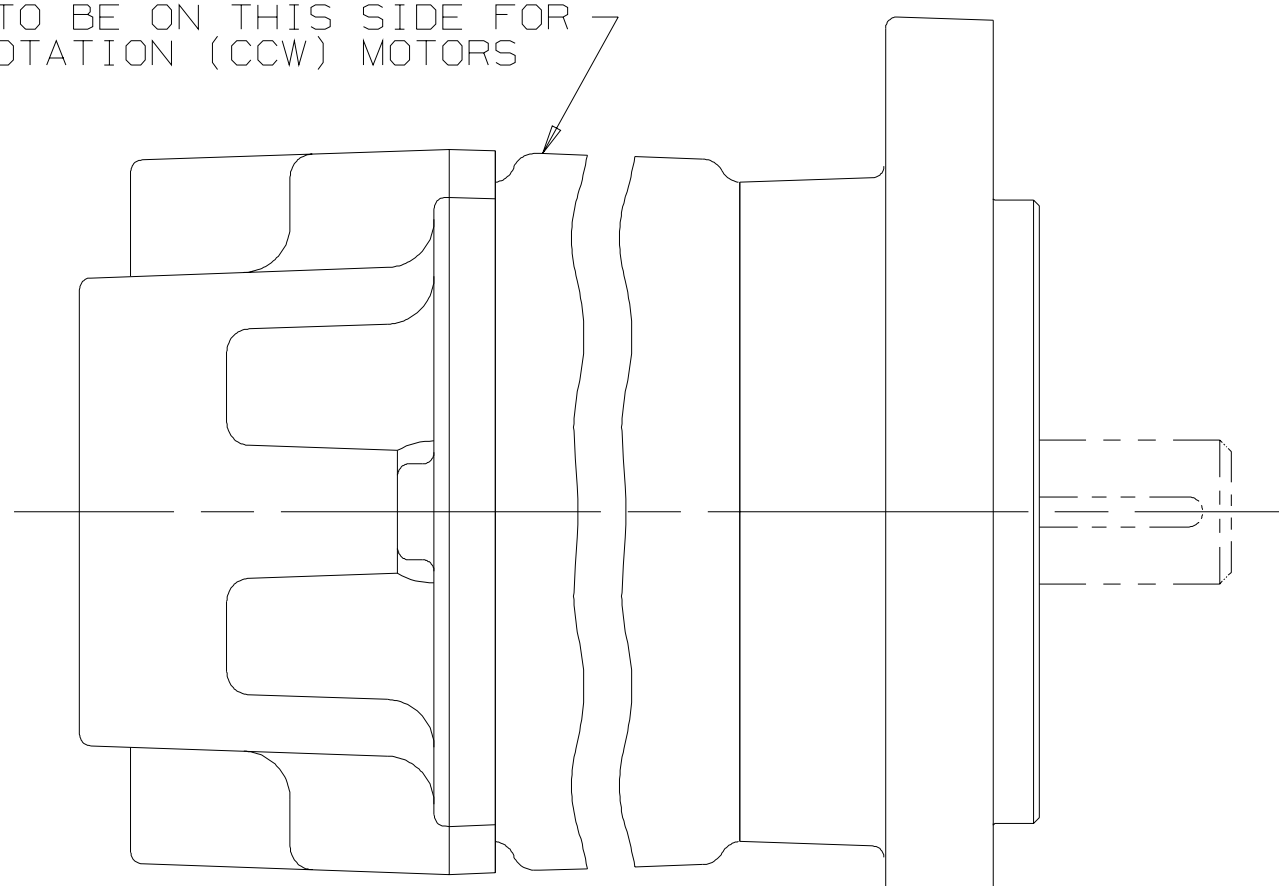
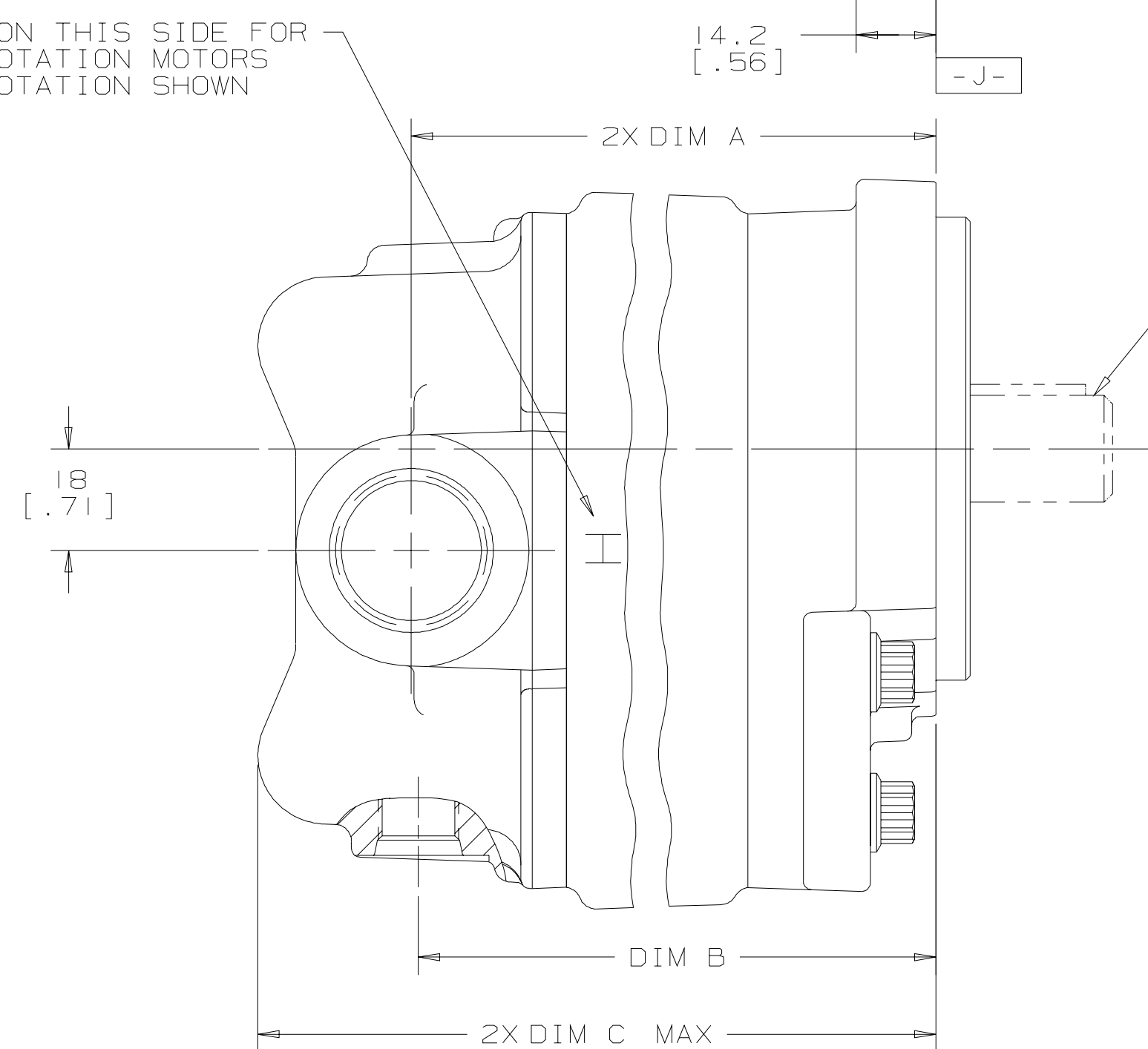


DISPLACEMENT	DIM A	DIM B	DIM C
	FRONT MOUNT 2 BOLT SAE A AND B	FRONT MOUNT 2 BOLT SAE A AND B	FRONT MOUNT 2 BOLT SAE A AND B
5.6 cm ³ /r [.34 in ³ /r]	70.8[2.79]	69.5[2.74]	99.6[3.92]
7 cm ³ /r [.43 in ³ /r]	72.4[2.85]	71.2[2.80]	101.3[3.99]
8.8 cm ³ /r [.54 in ³ /r]	74.3[2.93]	73.1[2.88]	103.2[4.06]
10.2 cm ³ /r [.62 in ³ /r]	75.8[2.98]	74.5[2.93]	104.6[4.12]
11.6 cm ³ /r [.71 in ³ /r]	77.5[3.05]	76.3[3.00]	106.4[4.19]
12.5 cm ³ /r [.76 in ³ /r]	78.5[3.09]	77.2[3.04]	107.3[4.22]
14.6 cm ³ /r [.89 in ³ /r]	80.7[3.18]	79.5[3.13]	109.6[4.31]
17.4 cm ³ /r [1.06 in ³ /r]	83.9[3.30]	82.7[3.25]	112.8[4.44]
20.3 cm ³ /r [1.24 in ³ /r]	87.1[3.43]	85.9[3.38]	116 [4.57]
23.1 cm ³ /r [1.41 in ³ /r]	90.3[3.56]	89.1[3.51]	119.2[4.69]
25.2 cm ³ /r [1.54 in ³ /r]	92.7[3.65]	91.4[3.60]	121.5[4.78]
26.1 cm ³ /r [1.59 in ³ /r]	93.5[3.68]	92.3[3.63]	122.4[4.82]
28.8 cm ³ /r [1.76 in ³ /r]	96.7[3.81]	95.5[3.76]	125.6[4.94]
30.3 cm ³ /r [1.85 in ³ /r]	98.4[3.87]	97.1[3.82]	127.2[5.01]
31.8 cm ³ /r [1.94 in ³ /r]	99.9[3.93]	98.7[3.88]	128.8[5.07]
36.7 cm ³ /r [2.24 in ³ /r]	105.4[4.15]	104.1[4.10]	134.3[5.29]

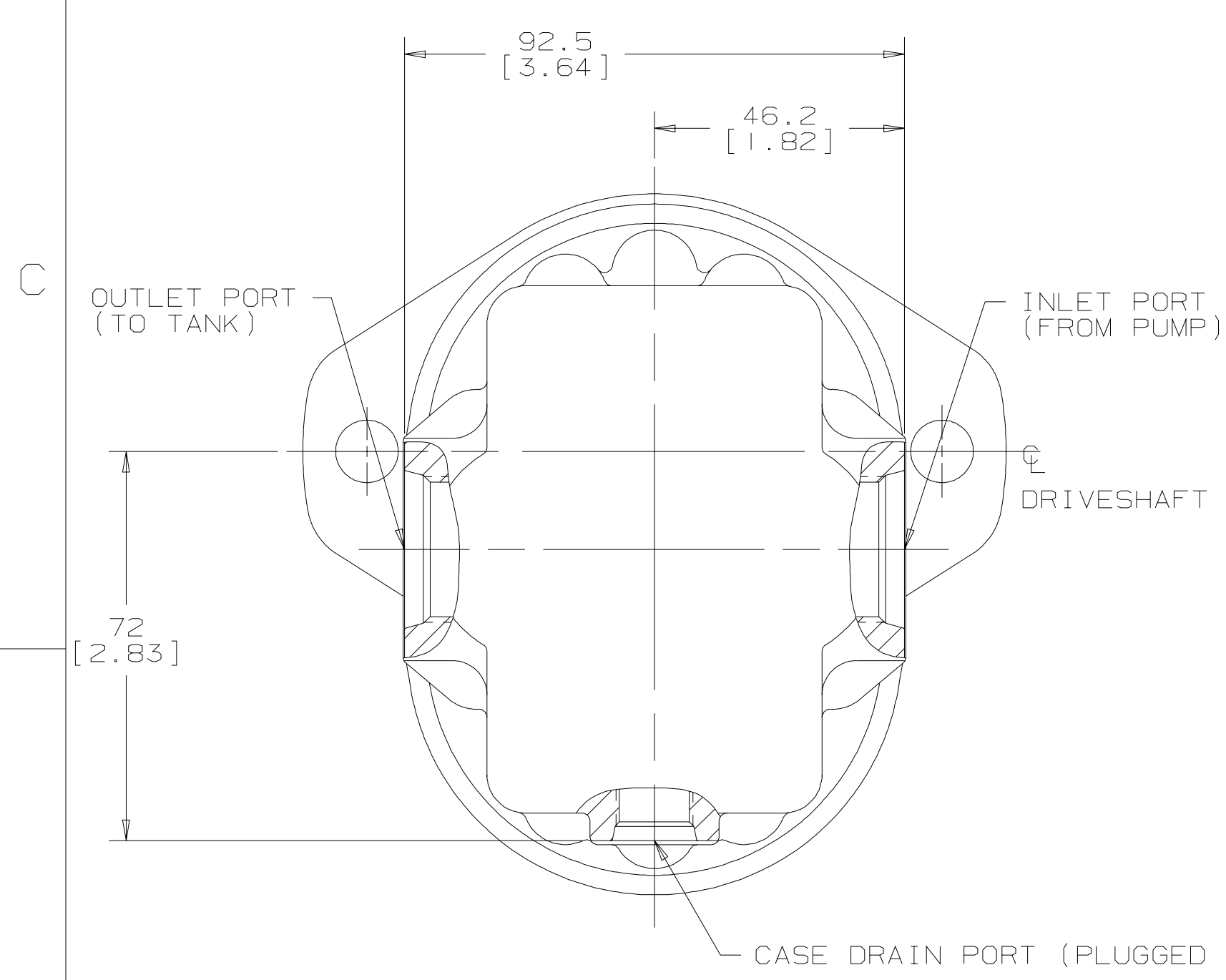
LETTER "H" TO BE ON THIS SIDE FOR LEFT HAND ROTATION (CCW) MOTORS



LETTER "H" TO BE ON THIS SIDE FOR RIGHT HAND (CW) ROTATION MOTORS
RIGHT HAND (CW) ROTATION SHOWN

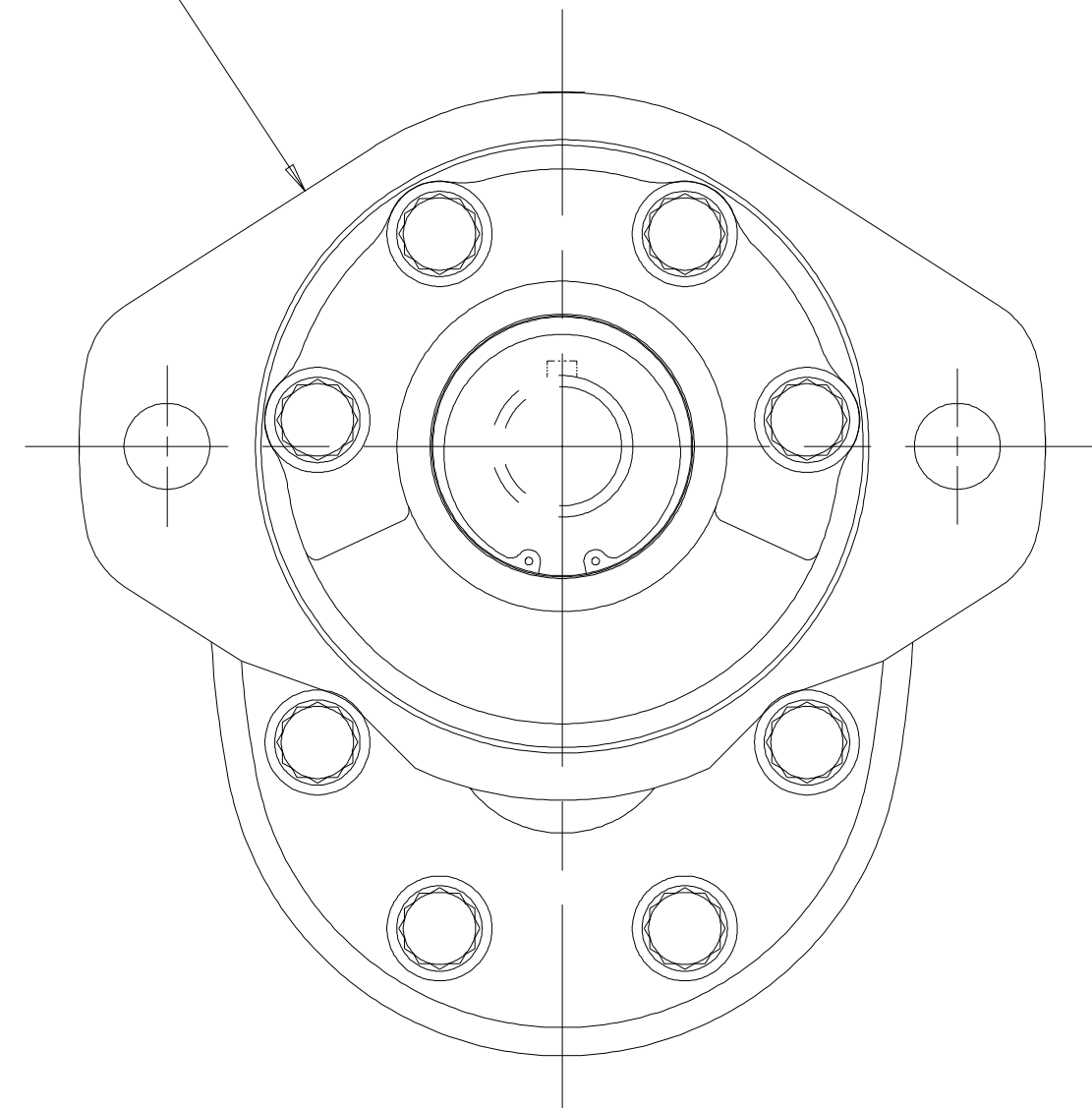


CHK	DESCRIPTION	BY	CHK	DATE	ECN
A	ENGINEERING RELEASE	JLY	LMD	7-1-96	MI5737
B	REVISED	JLY	MLL	2/17/98	MI9215
C	(8D) REMOVED DISPLACEMENT 5.1cm ³ /r [.31 in ³ /r], 70.8 [2.79], 69.5 [2.74], 99.1 [3.90]	LMD	LMD	10-28-98	32062
D	-1)(8D)REVISED DISPLACEMENTS TO MATCH MODEL CODE AND PARTS LISTS -2)(8D)ADDED 5.6 cm ³ /r [.34 in ³ /r] -3)(6D)REVISED DIM C DIMENSIONS -4)REMOVED GRADE MARKINGS FROM SCREWS -4)ADDED VIEWS FOR LEFT HAND ROTATION-BOTTOM DRAIN AND RIGHT HAND ROTATION-TOP DRAIN	CEW	CEW	5-25-01	38010
E	ADDED NOTE "PLUGGED OPTIONAL" FOR CASE DRAIN PORT	GTT	GTT	10-09-06	56759

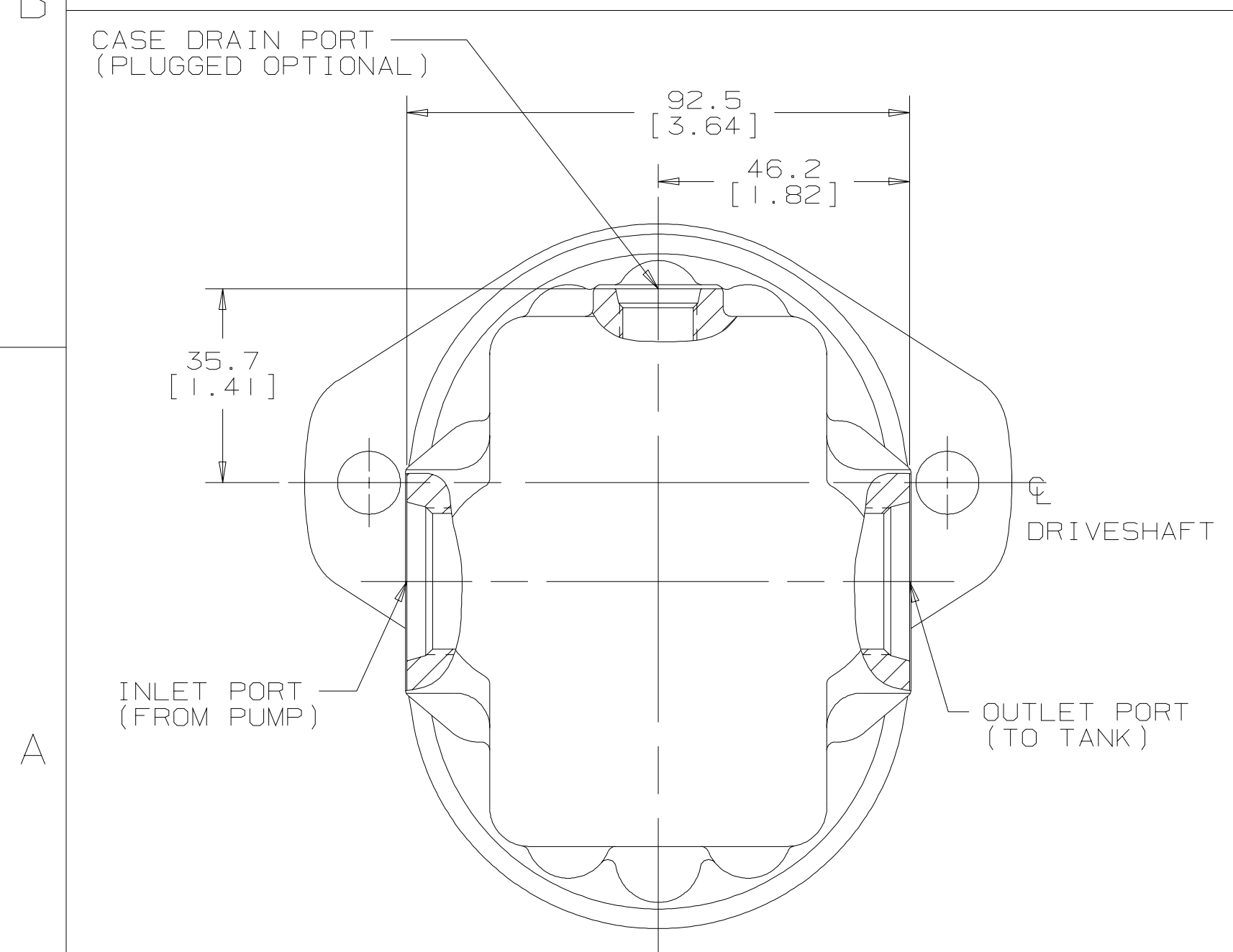


RIGHT HAND (CW) ROTATION - BOTTOM DRAIN

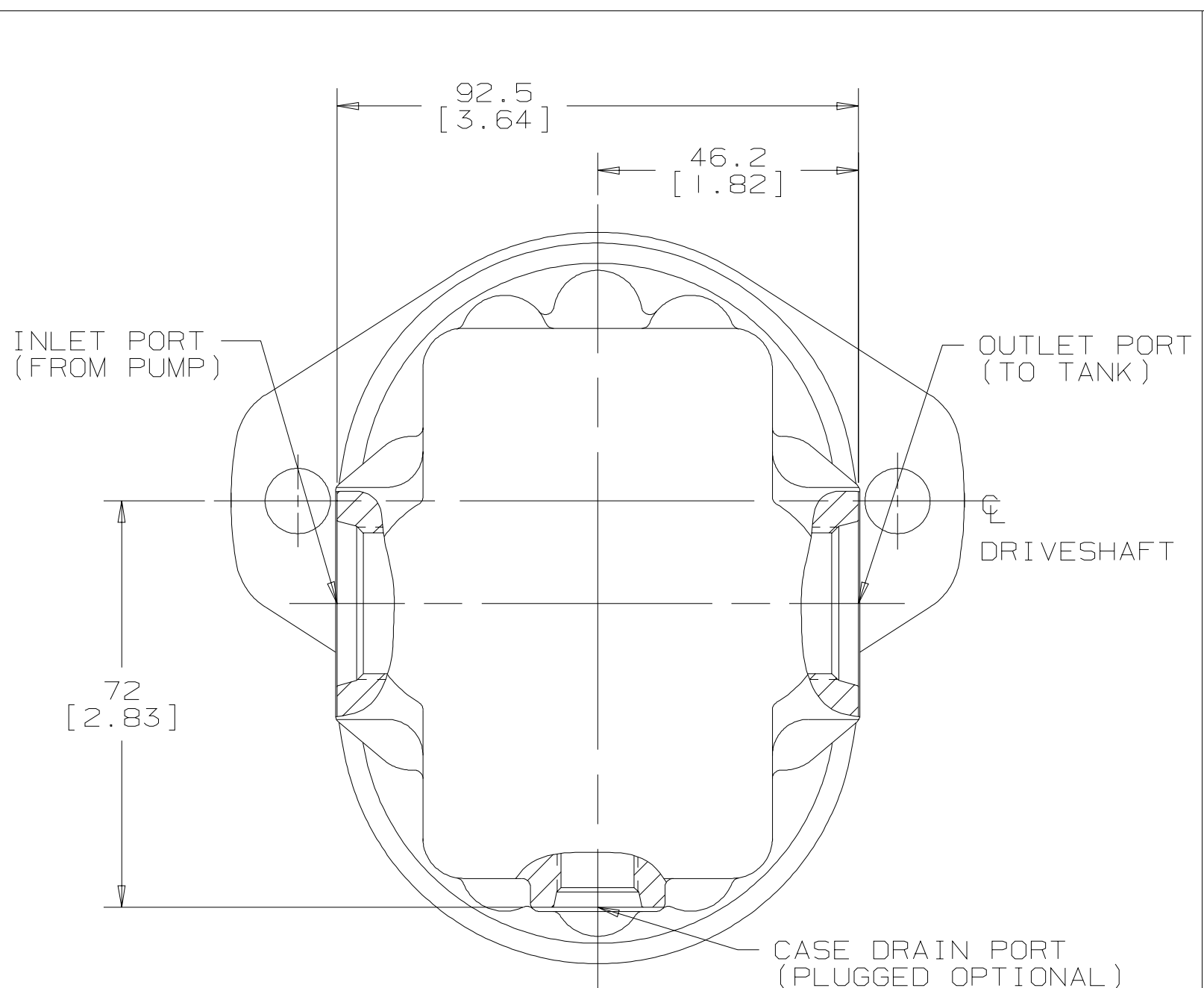
FOR FRONT MOUNTING CONFIGURATION SEE SEPARATE FRONT MOUNTING DRAWING



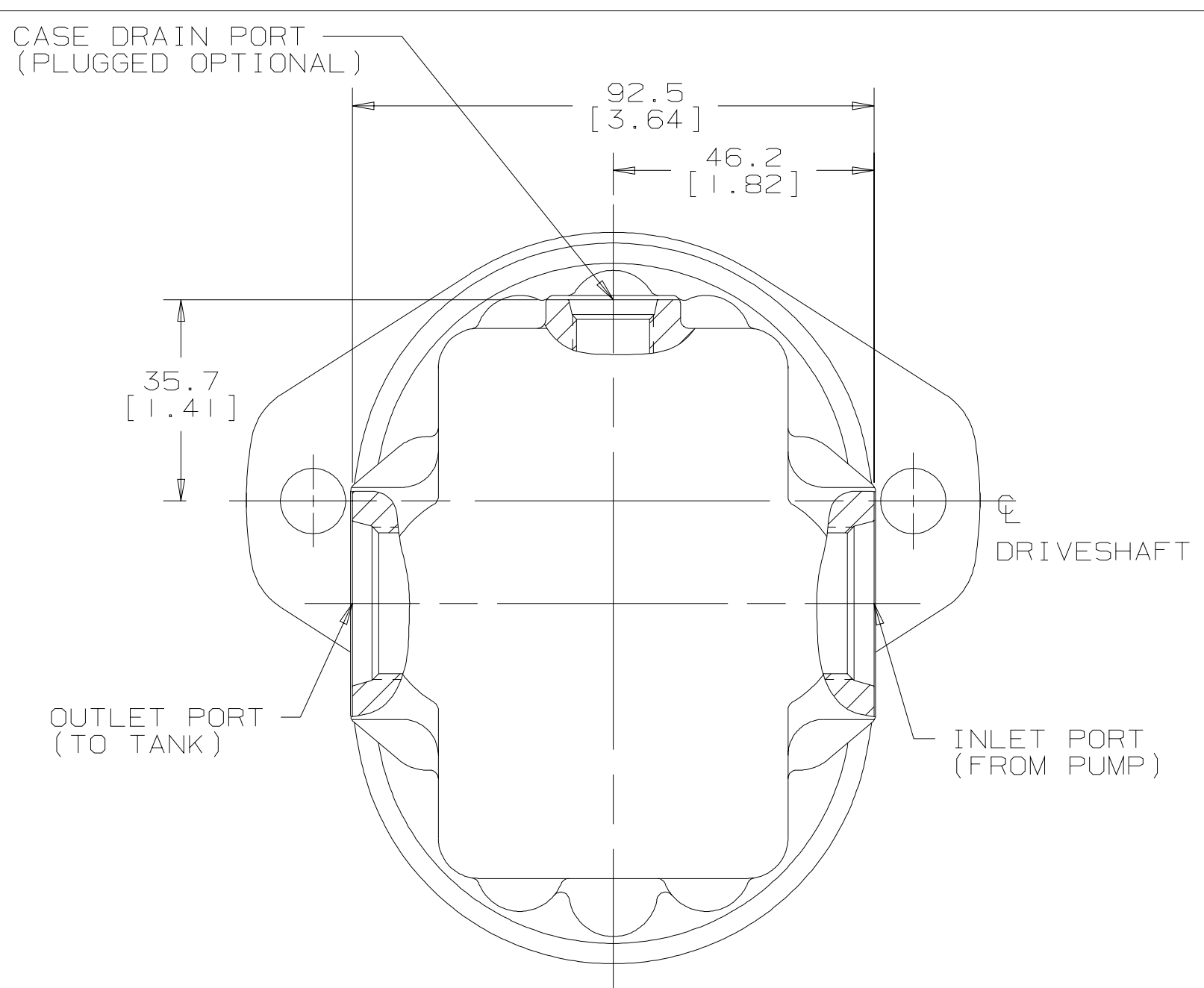
FOR SHAFT CONFIGURATION SEE SEPARATE SHAFT DRAWING



LEFT HAND (CCW) ROTATION - TOP DRAIN



LEFT HAND (CCW) ROTATION - BOTTOM DRAIN



RIGHT HAND (CW) ROTATION - TOP DRAIN

UNLESS OTHERWISE SPECIFIED ALL DIMENSIONS ARE IN
 INCHES MILLIMETERS
 TOLERANCES
 .xx # REF
 .xxx # ONLY
 #

DRAWING BASED ON ANSI Y14.5M-1982

NOTICE TO PERSONS RECEIVING THIS DRAWING AND / OR TECHNICAL INFORMATION
 Eaton Corporation claims proprietary rights in the information disclosed hereon. This document is issued in confidence and is not to be reproduced or used to manufacture anything shown hereon without the written permission of the Eaton Corporation.

EATON
 Eaton Corporation
 Hydraulics Division
 14615 Lone Oak Road
 Eden Prairie, MN 55344

DRAWN BY/DATE J L YOHO 3-27-98
 CHECKED BY/DATE LMD 3-27-98
 ENGR BY/DATE J L YOHO 3/27/98
 METALLURGY BY/DATE

MATERIAL/HEAT TREAT

TITLE GEAR MOTOR INSTALLATION
 UNI-DIRECTIONAL EXT DRAIN

UNSPECIFIED RADI ARE
 UNSPECIFIED DRAFT ANGLES ARE
 DRAWING FORMAT CAD MANUAL

THIRD ANGLE PROJECTION
 DO NOT SCALE

MICROINCHES NUMBER
 MICROINCHES (MICROINCHES) A-1281-004

SCALE 1/1 SHEET 1 OF 1