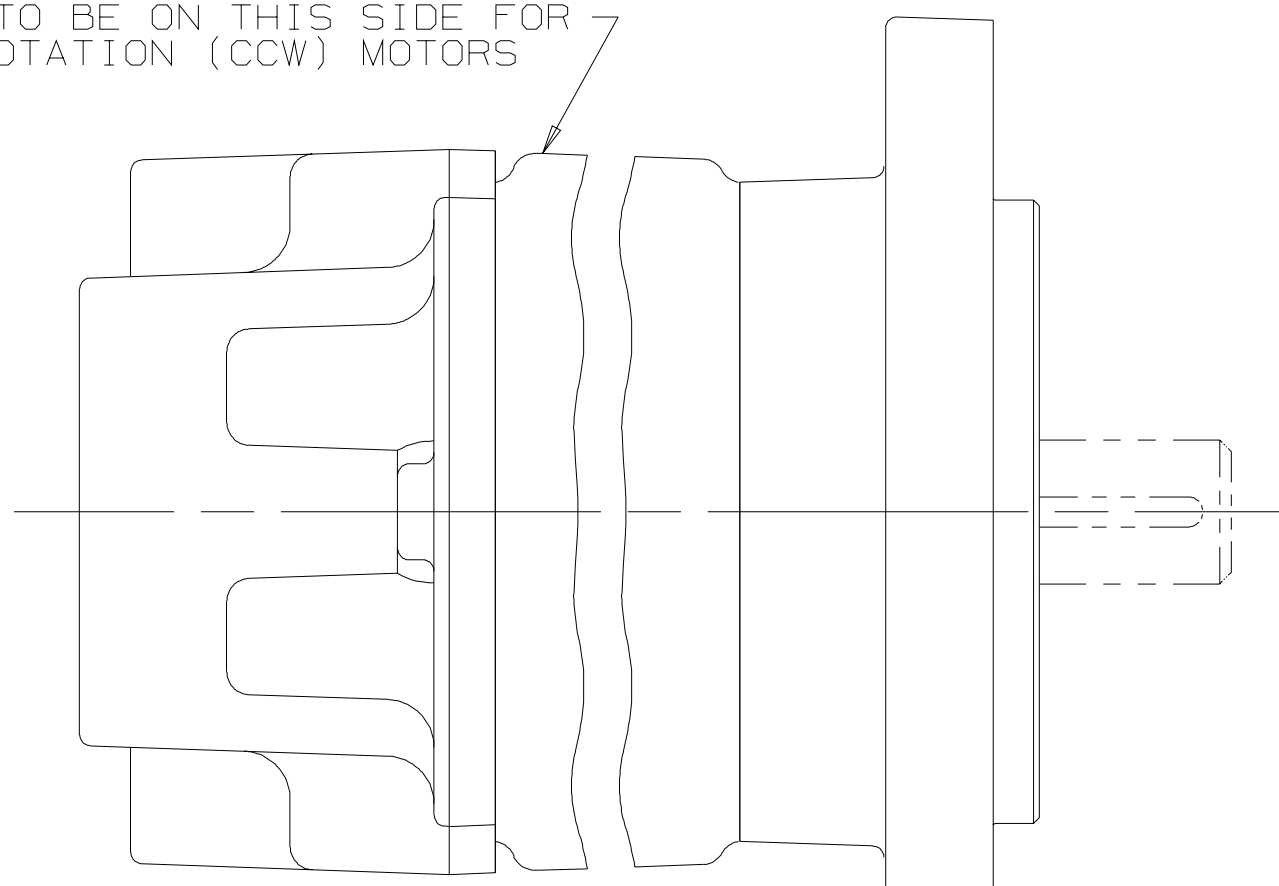


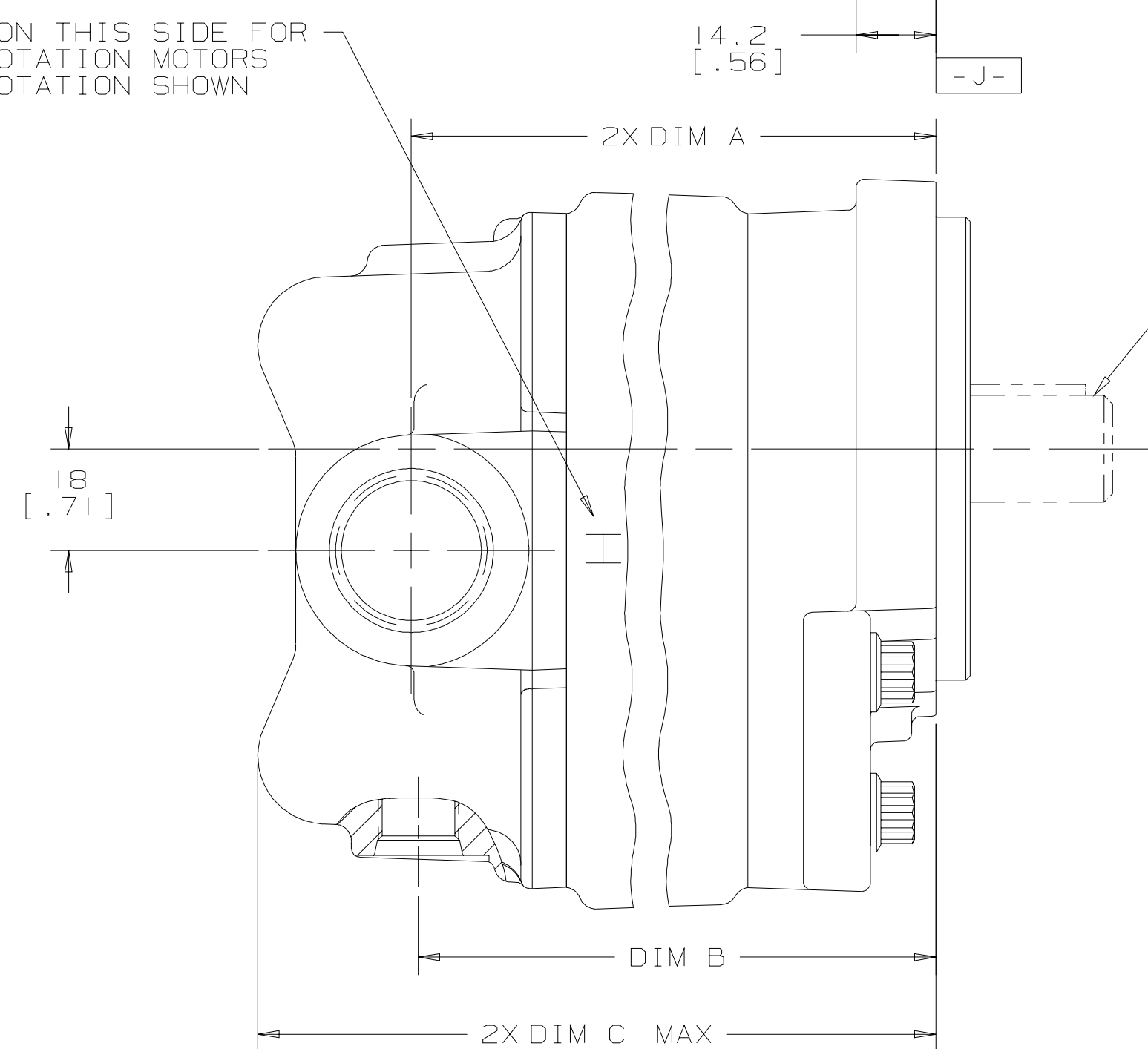
DISPLACEMENT	DIM A	DIM B	DIM C
	FRONT MOUNT 2 BOLT SAE A AND B	FRONT MOUNT 2 BOLT SAE A AND B	FRONT MOUNT 2 BOLT SAE A AND B
5.6 cm ³ /r [.34 in ³ /r]	70.8[2.79]	69.5[2.74]	99.6[3.92]
7 cm ³ /r [.43 in ³ /r]	72.4[2.85]	71.2[2.80]	101.3[3.99]
8.8 cm ³ /r [.54 in ³ /r]	74.3[2.93]	73.1[2.88]	103.2[4.06]
10.2 cm ³ /r [.62 in ³ /r]	75.8[2.98]	74.5[2.93]	104.6[4.12]
11.6 cm ³ /r [.71 in ³ /r]	77.5[3.05]	76.3[3.00]	106.4[4.19]
12.5 cm ³ /r [.76 in ³ /r]	78.5[3.09]	77.2[3.04]	107.3[4.22]
14.6 cm ³ /r [.89 in ³ /r]	80.7[3.18]	79.5[3.13]	109.6[4.31]
17.4 cm ³ /r [1.06 in ³ /r]	83.9[3.30]	82.7[3.25]	112.8[4.44]
20.3 cm ³ /r [1.24 in ³ /r]	87.1[3.43]	85.9[3.38]	116 [4.57]
23.1 cm ³ /r [1.41 in ³ /r]	90.3[3.56]	89.1[3.51]	119.2[4.69]
25.2 cm ³ /r [1.54 in ³ /r]	92.7[3.65]	91.4[3.60]	121.5[4.78]
26.1 cm ³ /r [1.59 in ³ /r]	93.5[3.68]	92.3[3.63]	122.4[4.82]
28.8 cm ³ /r [1.76 in ³ /r]	96.7[3.81]	95.5[3.76]	125.6[4.94]
30.3 cm ³ /r [1.85 in ³ /r]	98.4[3.87]	97.1[3.82]	127.2[5.01]
31.8 cm ³ /r [1.94 in ³ /r]	99.9[3.93]	98.7[3.88]	128.8[5.07]
36.7 cm ³ /r [2.24 in ³ /r]	105.4[4.15]	104.1[4.10]	134.3[5.29]

LETTER "H" TO BE ON THIS SIDE FOR LEFT HAND ROTATION (CCW) MOTORS

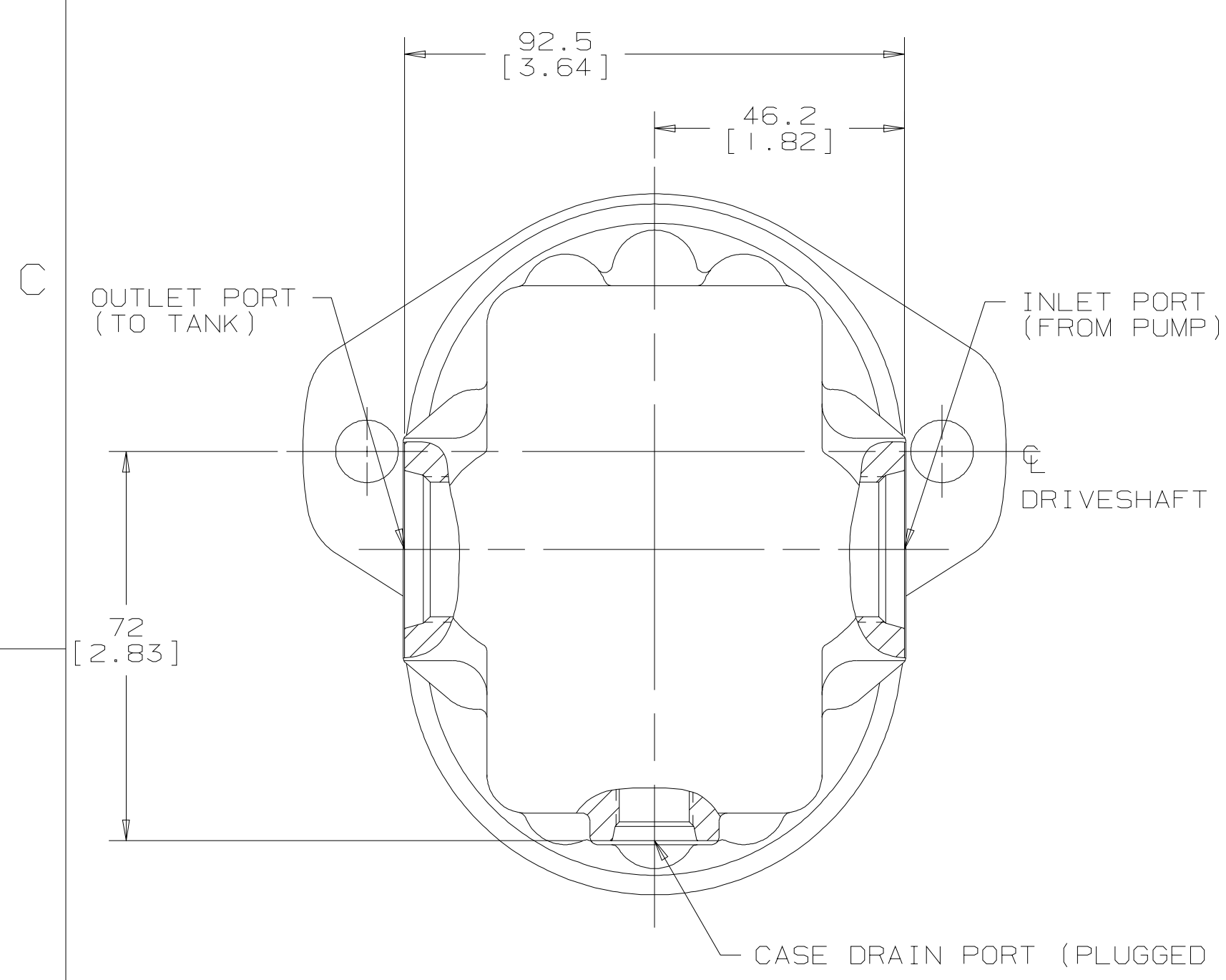
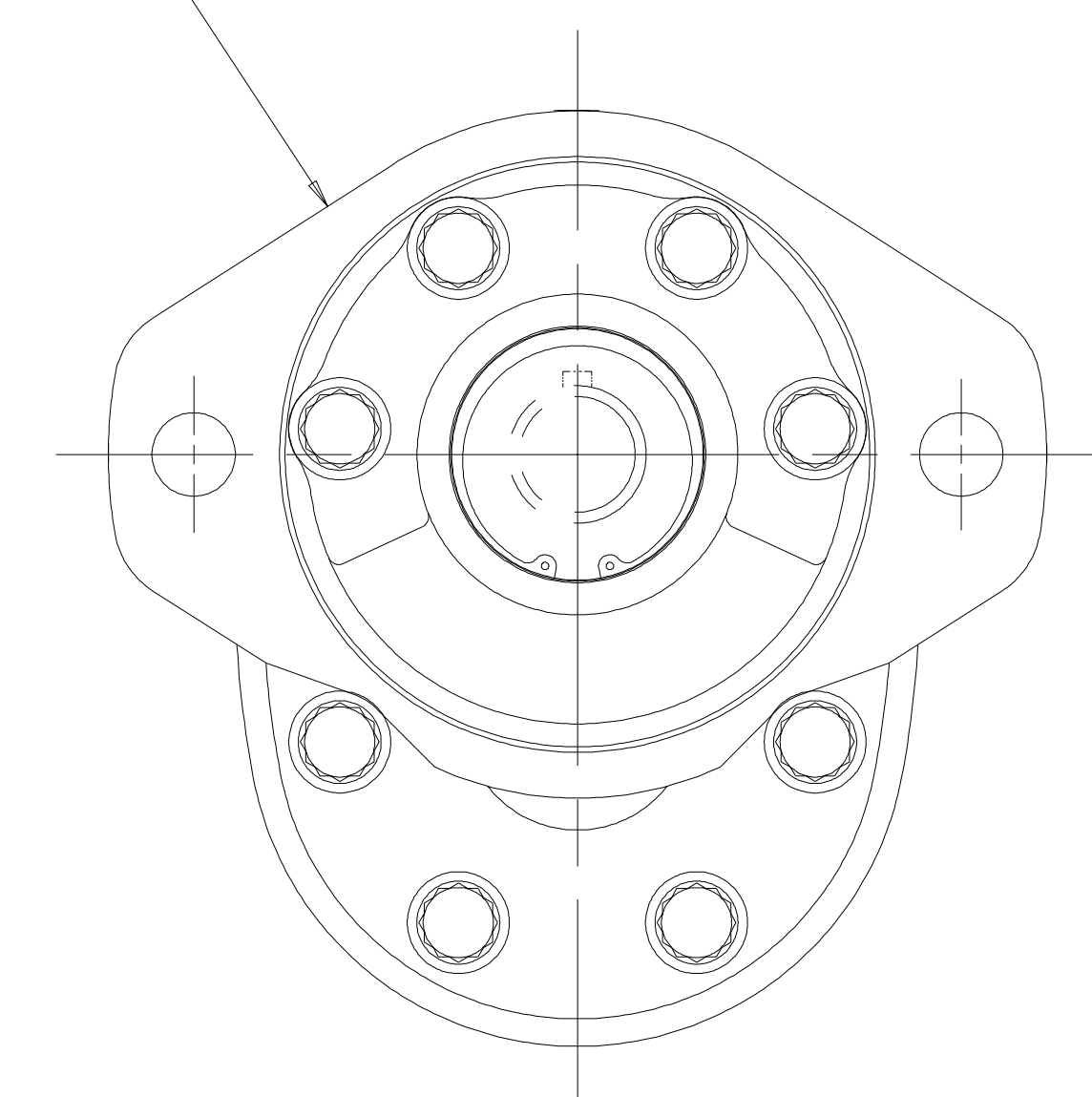


CHK	DESCRIPTION	BY	CHK	DATE	ECN
A	ENGINEERING RELEASE	JLY	LMD	7-1-96	MI5737
B	REVISED	JLY	MLL	2/17/98	MI9215
C	(8D) REMOVED DISPLACEMENT 5.1cm ³ /r [.31 in ³ /r], 70.8 [2.79], 69.5 [2.74], 99.1 [3.90]	LMD	LMD	10-28-98	32062
D	-1)(8D)REVISED DISPLACEMENTS TO MATCH MODEL CODE AND PARTS LISTS -2)(8D)ADDED 5.6 cm ³ /r [.34 in ³ /r] -3)(6D)REVISED DIM C DIMENSIONS -4)REMOVED GRADE MARKINGS FROM SCREWS -4)ADDED VIEWS FOR LEFT HAND ROTATION-BOTTOM DRAIN AND RIGHT HAND ROTATION-TOP DRAIN	CEW	CEW	5-25-01	38010
E	ADDED NOTE "PLUGGED OPTIONAL" FOR CASE DRAIN PORT	GTT	GTT	10-09-06	56759

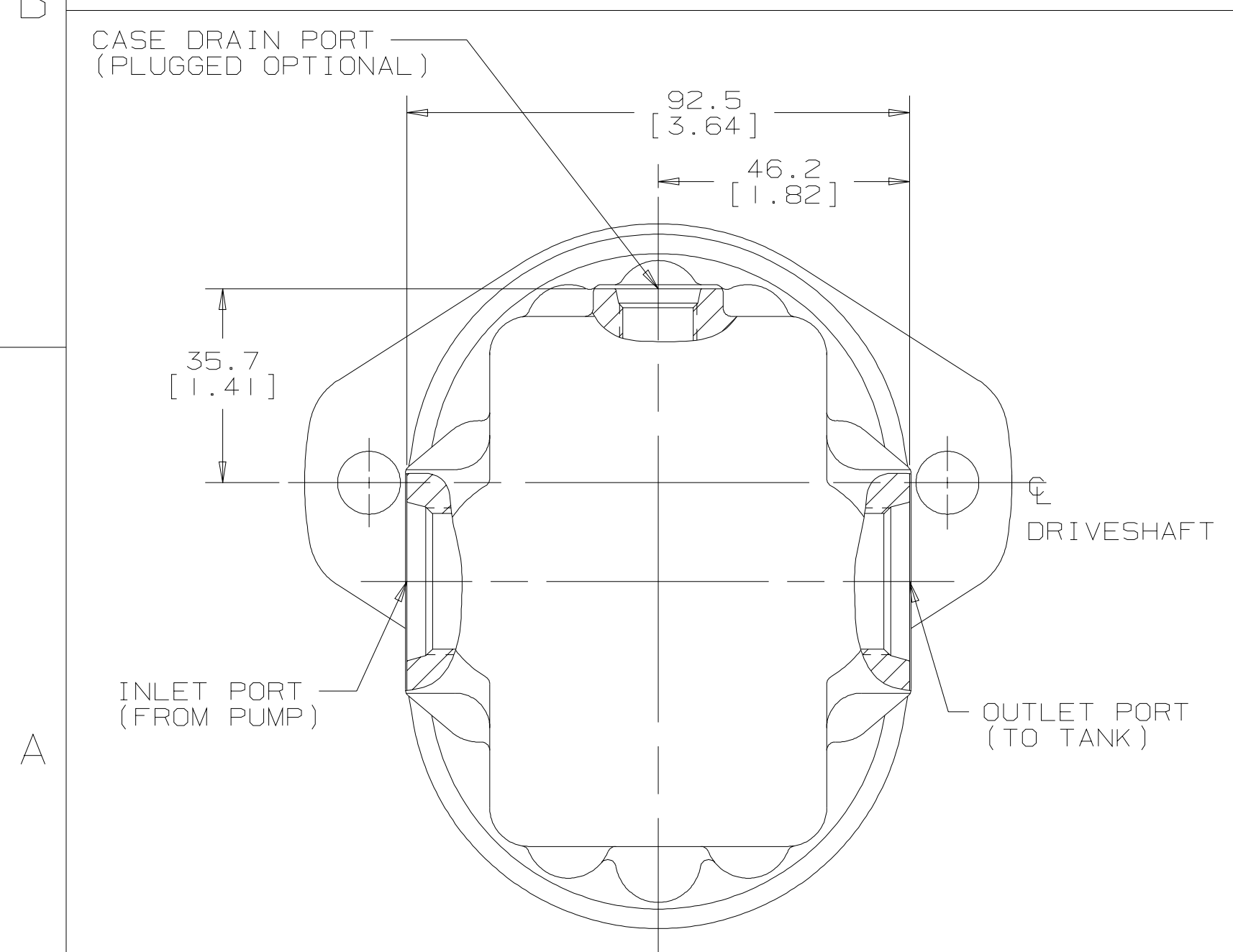
LETTER "H" TO BE ON THIS SIDE FOR RIGHT HAND (CW) ROTATION MOTORS
RIGHT HAND (CW) ROTATION SHOWN



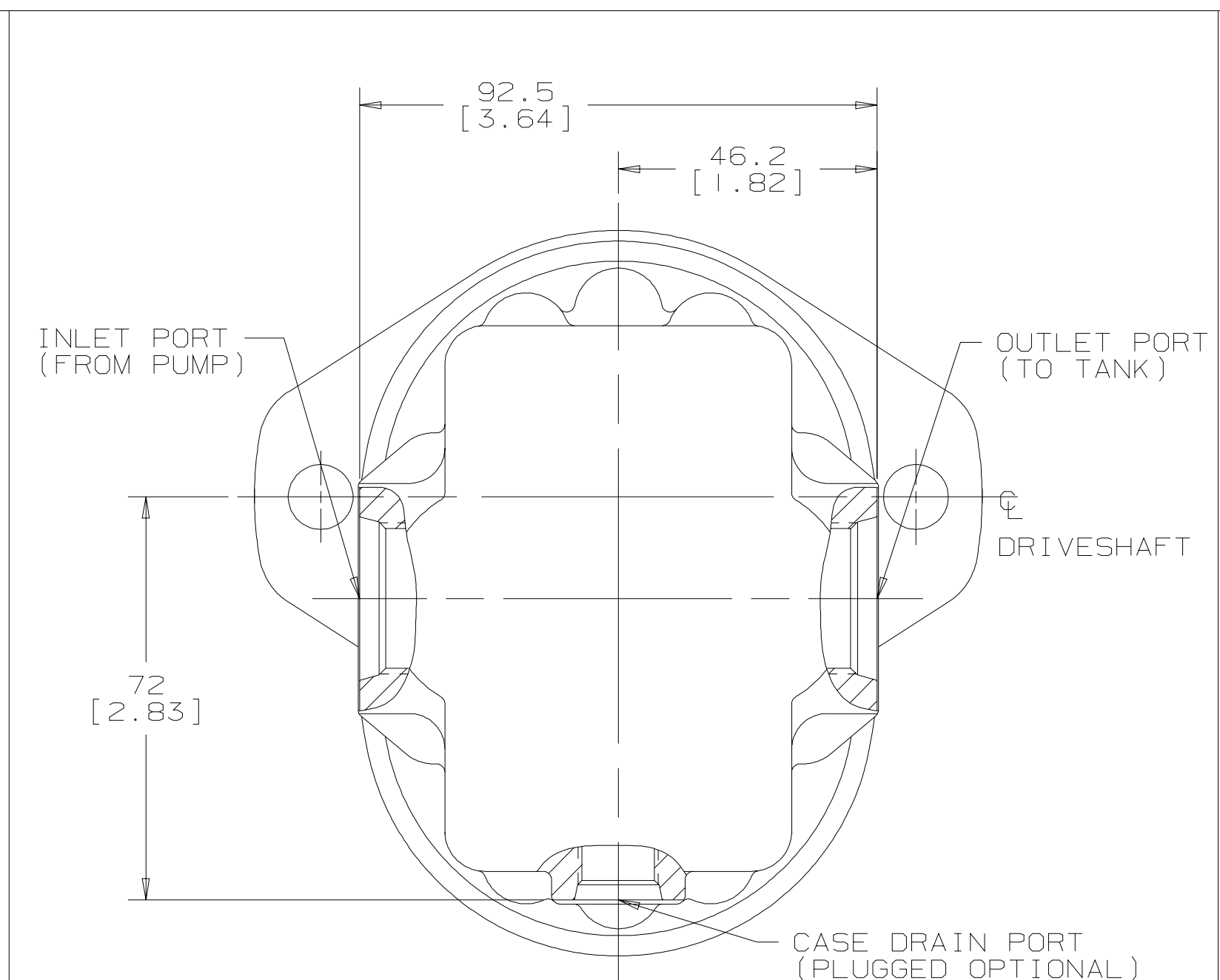
FOR FRONT MOUNTING CONFIGURATION SEE SEPARATE FRONT MOUNTING DRAWING



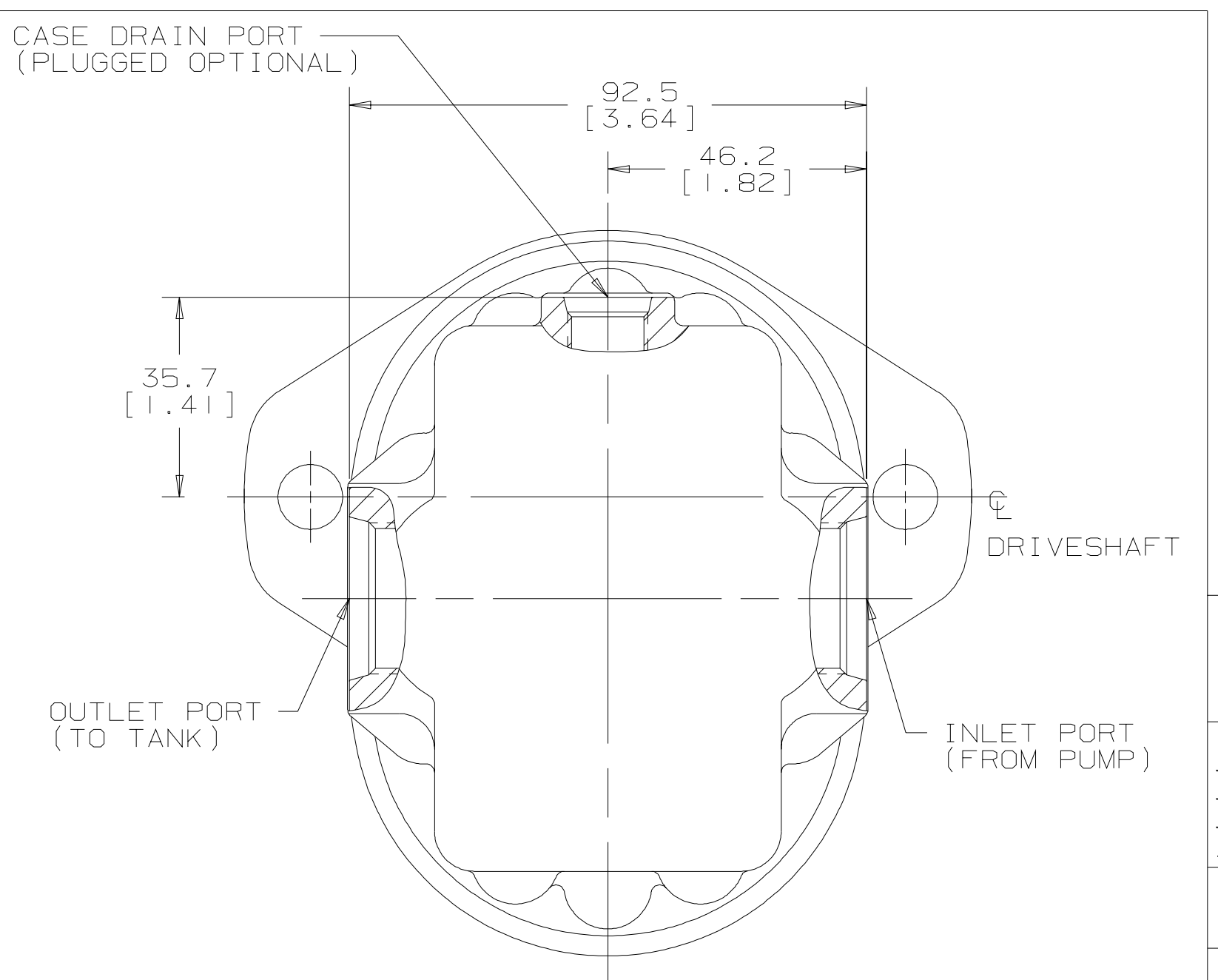
RIGHT HAND (CW) ROTATION - BOTTOM DRAIN



LEFT HAND (CCW) ROTATION - TOP DRAIN



LEFT HAND (CCW) ROTATION - BOTTOM DRAIN



RIGHT HAND (CW) ROTATION - TOP DRAIN

UNLESS OTHERWISE SPECIFIED ALL DIMENSIONS ARE IN
 INCHES MILLIMETERS

TOLERANCES
 .xx # REF
 .xxx # ONLY

UNSPECIFIED RADI ARE
 UNSPECIFIED DRAFT ANGLES ARE

DRAWING FORMAT
 CAD MANUAL

DRAWING BASED ON ANSI Y14.5M-1982

THE REPRODUCTION, DISTRIBUTION, AND UTILIZATION OF THIS DOCUMENT, AS WELL AS THE COMMUNICATION OF ITS CONTENTS TO OTHERS WITHOUT EXPLICIT AUTHORIZATION IS PROHIBITED. OFFENDERS WILL BE HELD LIABLE FOR THE PAYMENT OF DAMAGES. ALL RIGHTS RESERVED IN THE EVENT OF THE GRANT OF A PATENT, UTILITY MODEL, OR DESIGN. (PER ISO 16016)

Danfoss

DRAWN BY/DATE J L YOHO 3-27-98
 CHECKED BY/DATE LMD 3-27-98
 ENGR BY/DATE J L YOHO 3/27/98
 METALLURGY BY/DATE

MATERIAL/HEAT TREAT

TITLE GEAR MOTOR INSTALLATION
 UNI-DIRECTIONAL EXT DRAIN

MICROINCHES NUMBER
 MICROINCHES (MICROINCHES) A-1281-004

THIRD ANGLE PROJECTION
 DO NOT SCALE

ARTHMETICAL AVERAGE SCALE 1/1 SHEET 1 OF 1

G H

A