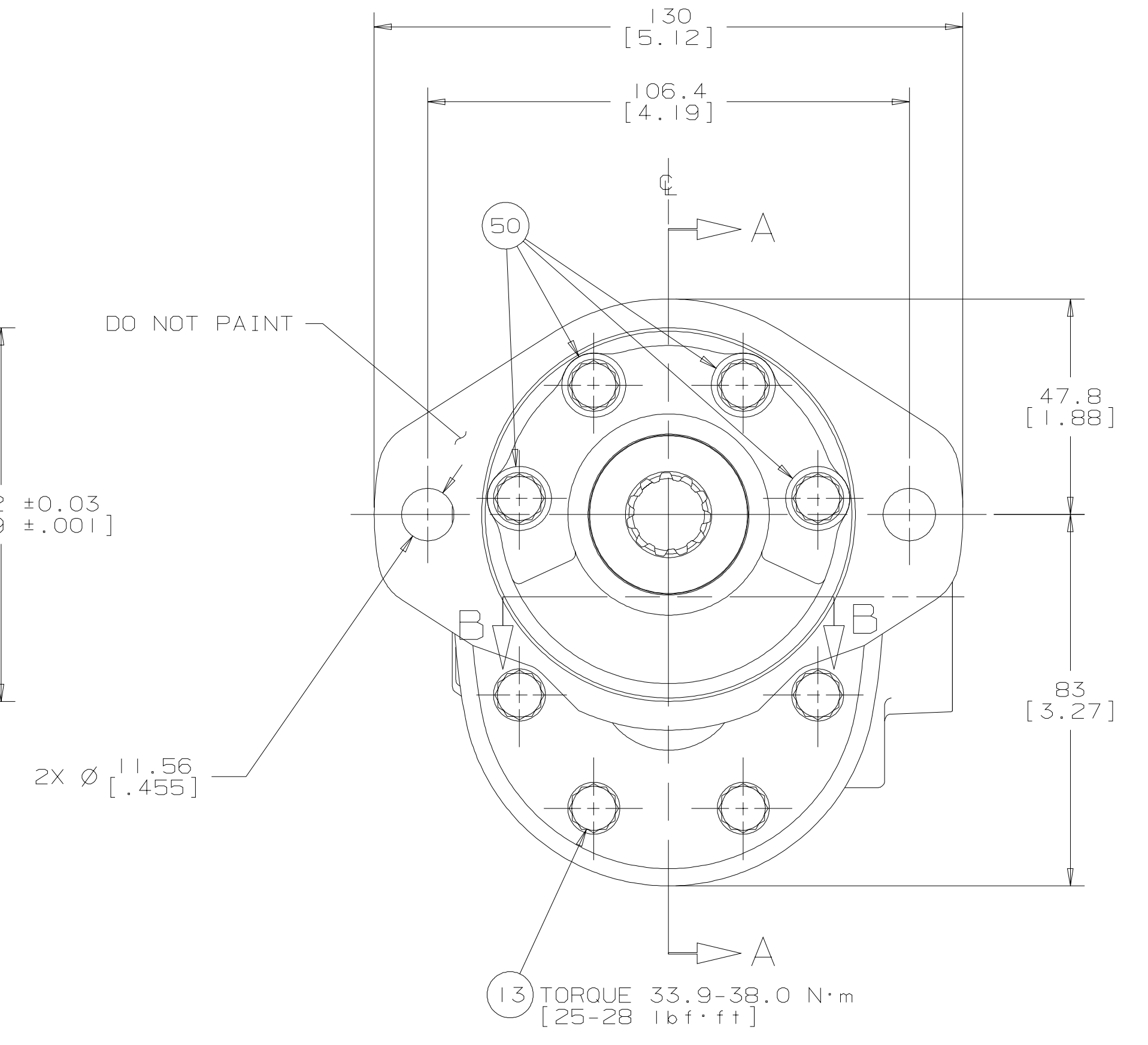
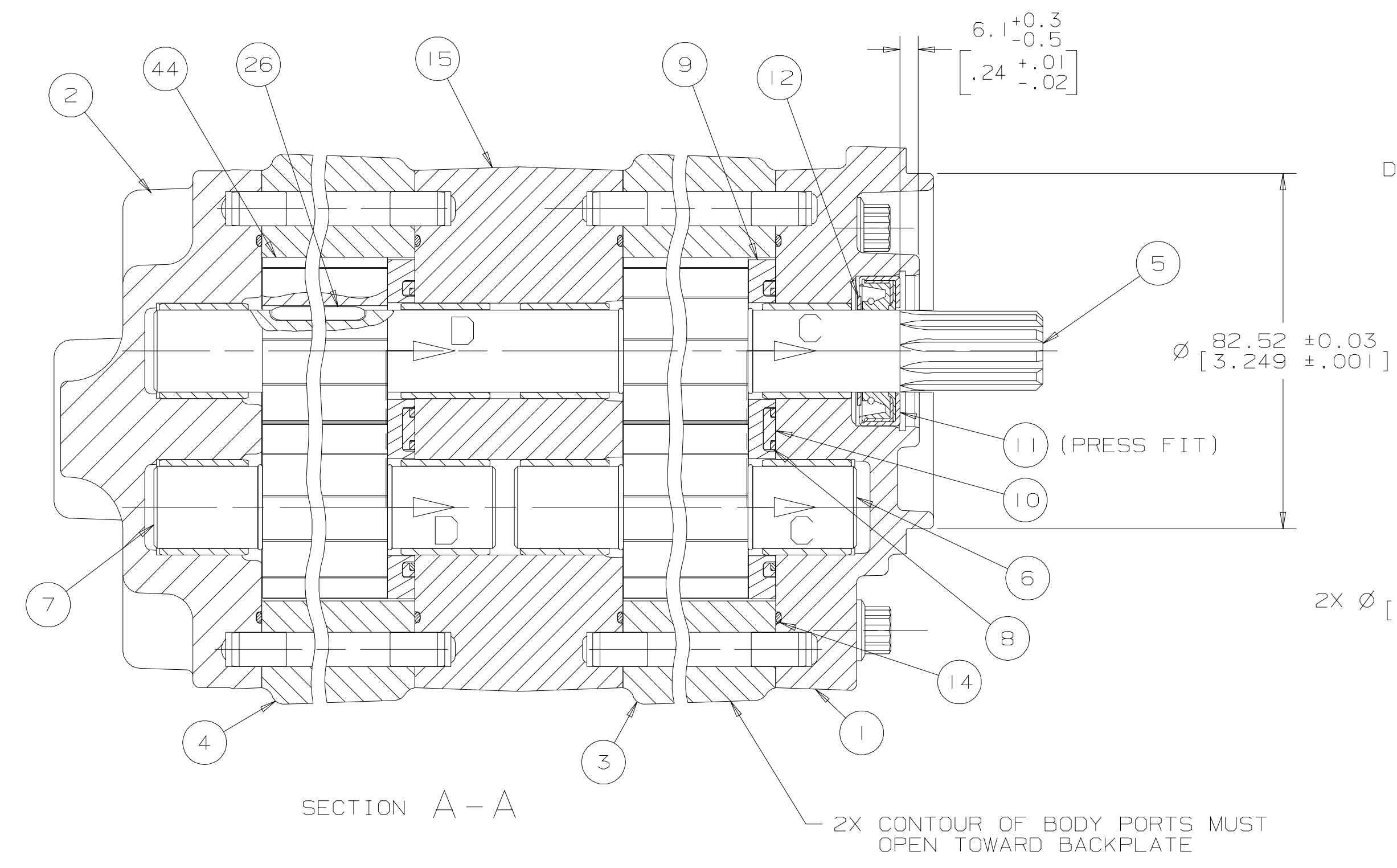
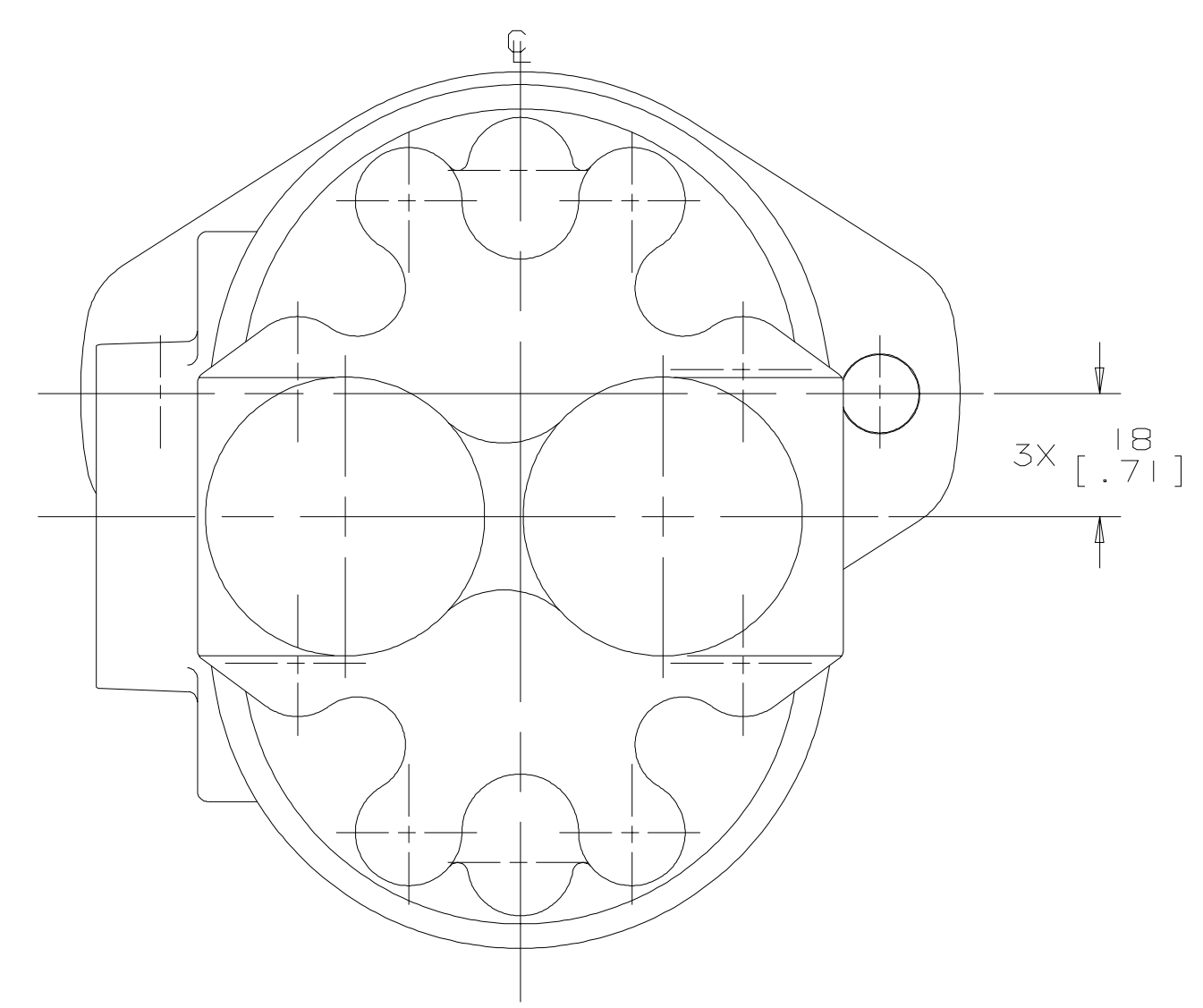
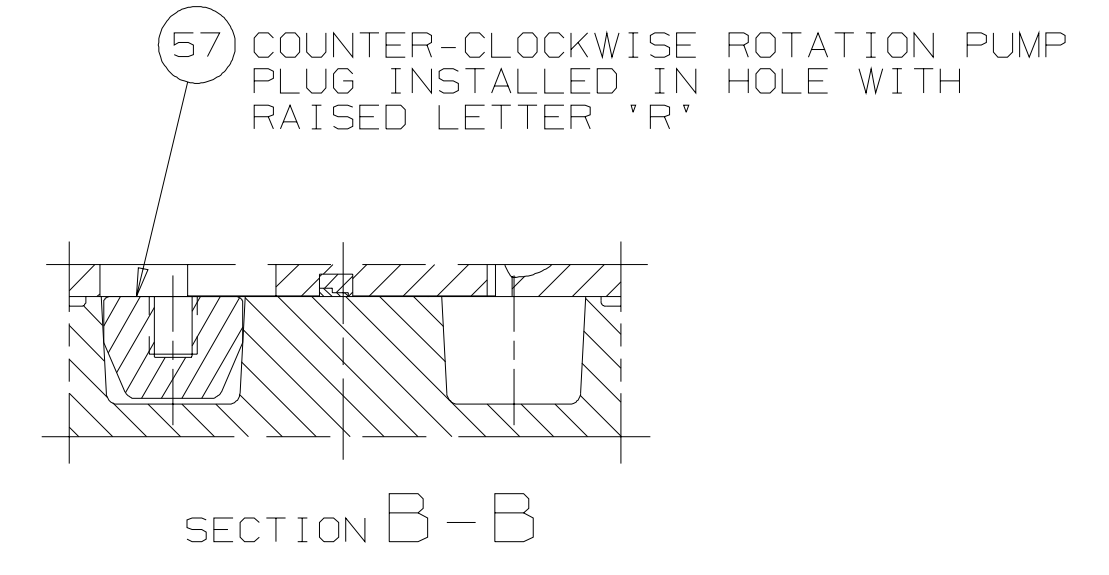
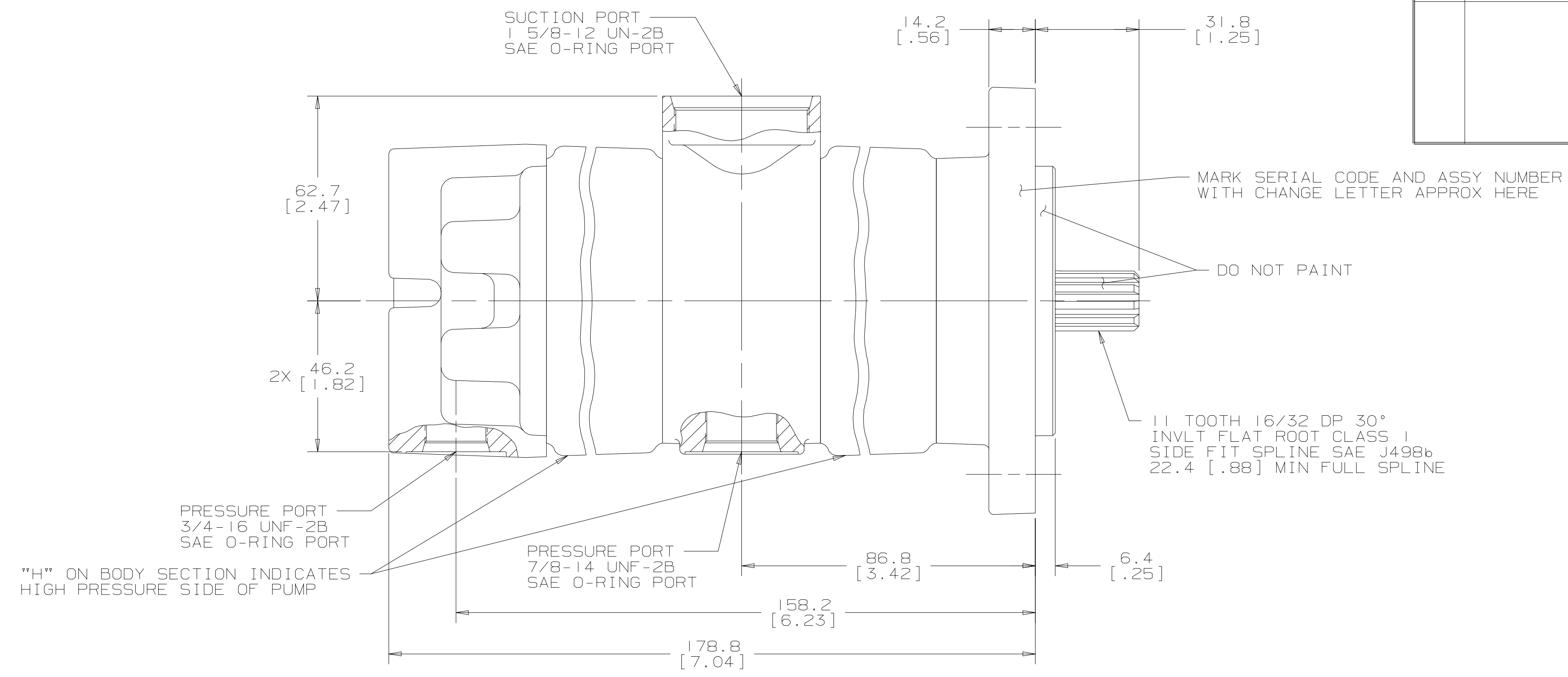
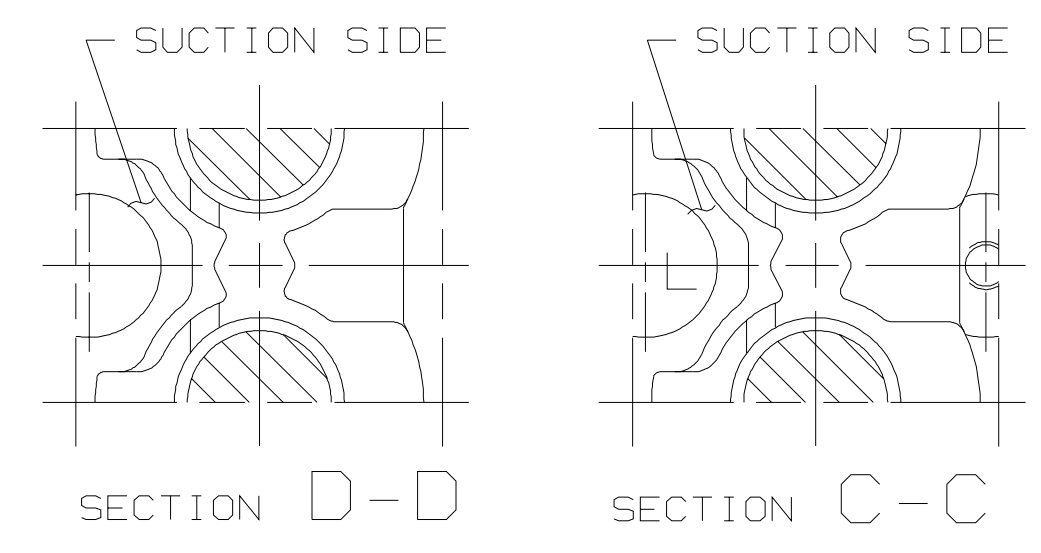


REV	DESCRIPTION	BY	CHK	DATE	ECN
A	ENGINEERING RELEASE	CEW	CEW	8-29-02	M28772



COUNTER-CLOCKWISE ROTATION PUMP



UNLESS OTHERWISE SPECIFIED ALL DIMENSIONS ARE IN INCHES <input type="checkbox"/> MILLIMETERS <input checked="" type="checkbox"/>		DRAWING BASED ON ANSI Y14.5M-1982	
TOLERANCES .X +---- .XX +REF .XXX +ONLY / +----		NOTICE TO PERSONS RECEIVING THIS DRAWING AND / OR TECHNICAL INFORMATION Eaton Corporation claims proprietary rights in the information disclosed herein. This document is issued in confidence and is not to be reproduced or used to manufacture anything shown hereon without the written permission of the Eaton Corporation.	
DRAWN BY/DATE CEW 9/4/02		MATERIAL/HEAT TREAT	
CHECKED BY/DATE CEW 9/4/02		TITLE GEAR PUMP ASSY/INSTALLATION	
UNSPECIFIED RADI ARE		METALLURGY	
UNSPECIFIED DRAFT ANGLES ARE		THIRD ANGLE PROJECTION	
DRAWING FORMAT CADD <input checked="" type="checkbox"/> MANUAL <input type="checkbox"/>		DO NOT SCALE	
		MICROINCHES <input type="checkbox"/> NUMBER MILLIMETERS (MICROINCHES) <input checked="" type="checkbox"/> 26508-LAJ	
		SCALE 1/1 SHEET 1 OF 1	

G H