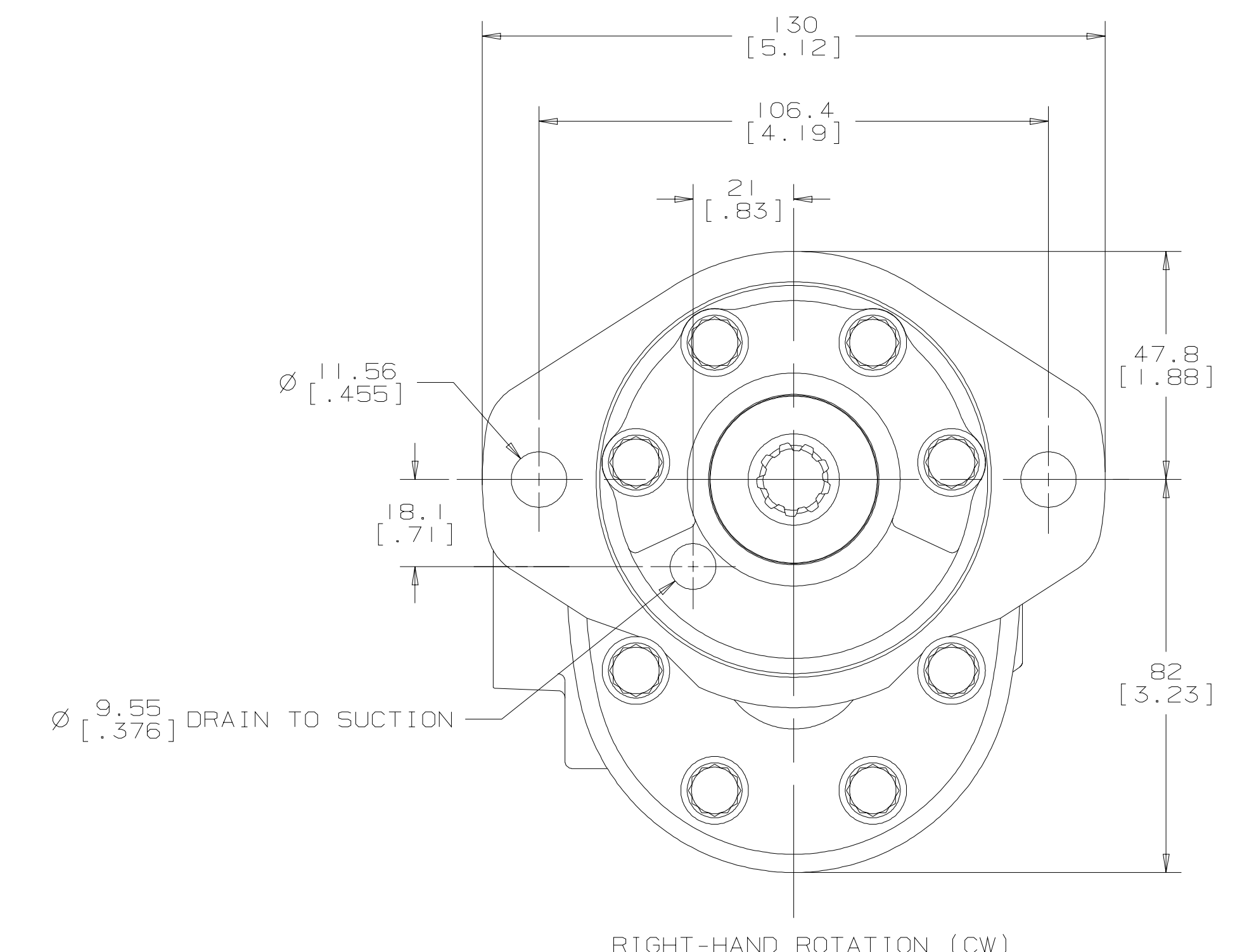
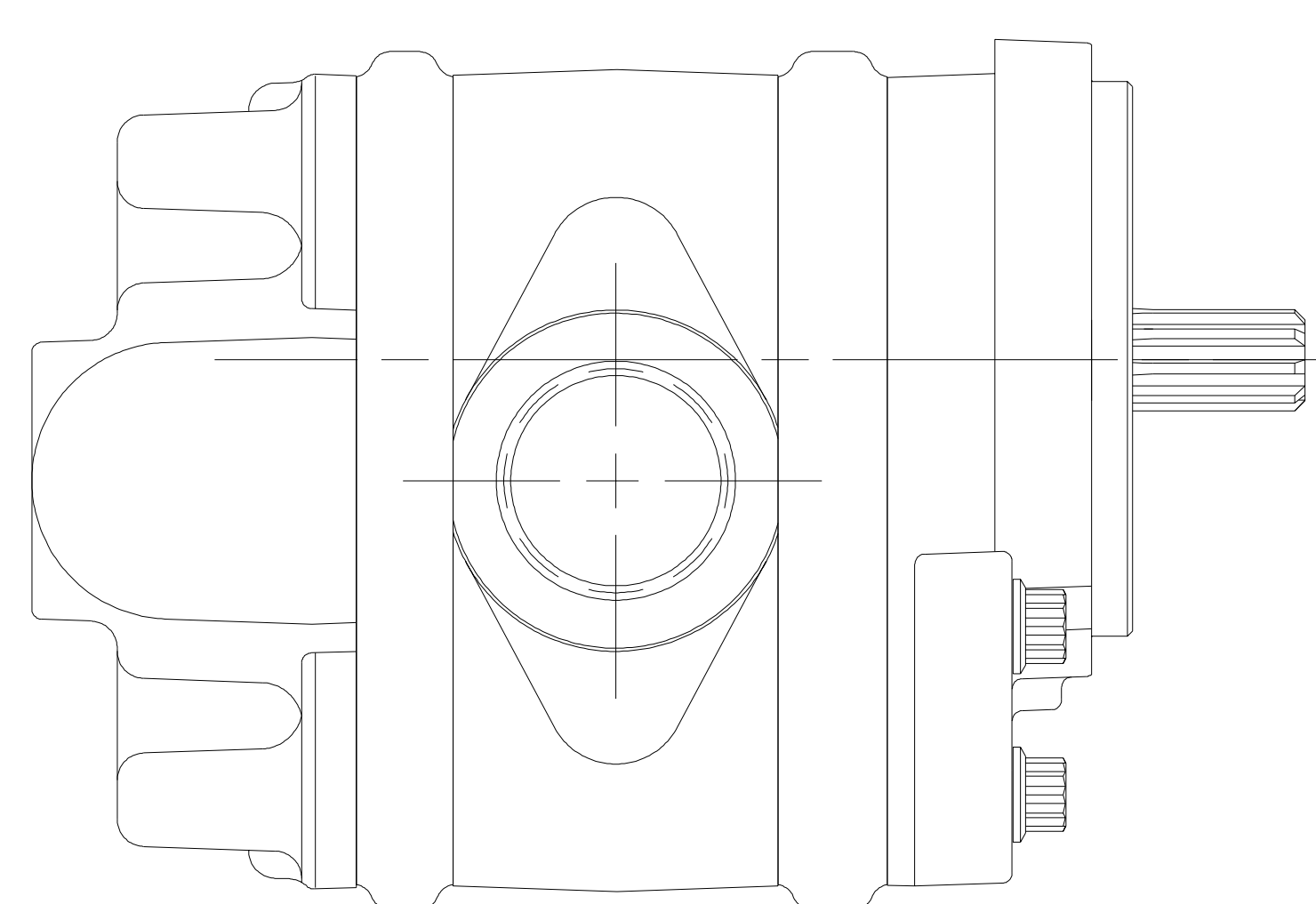
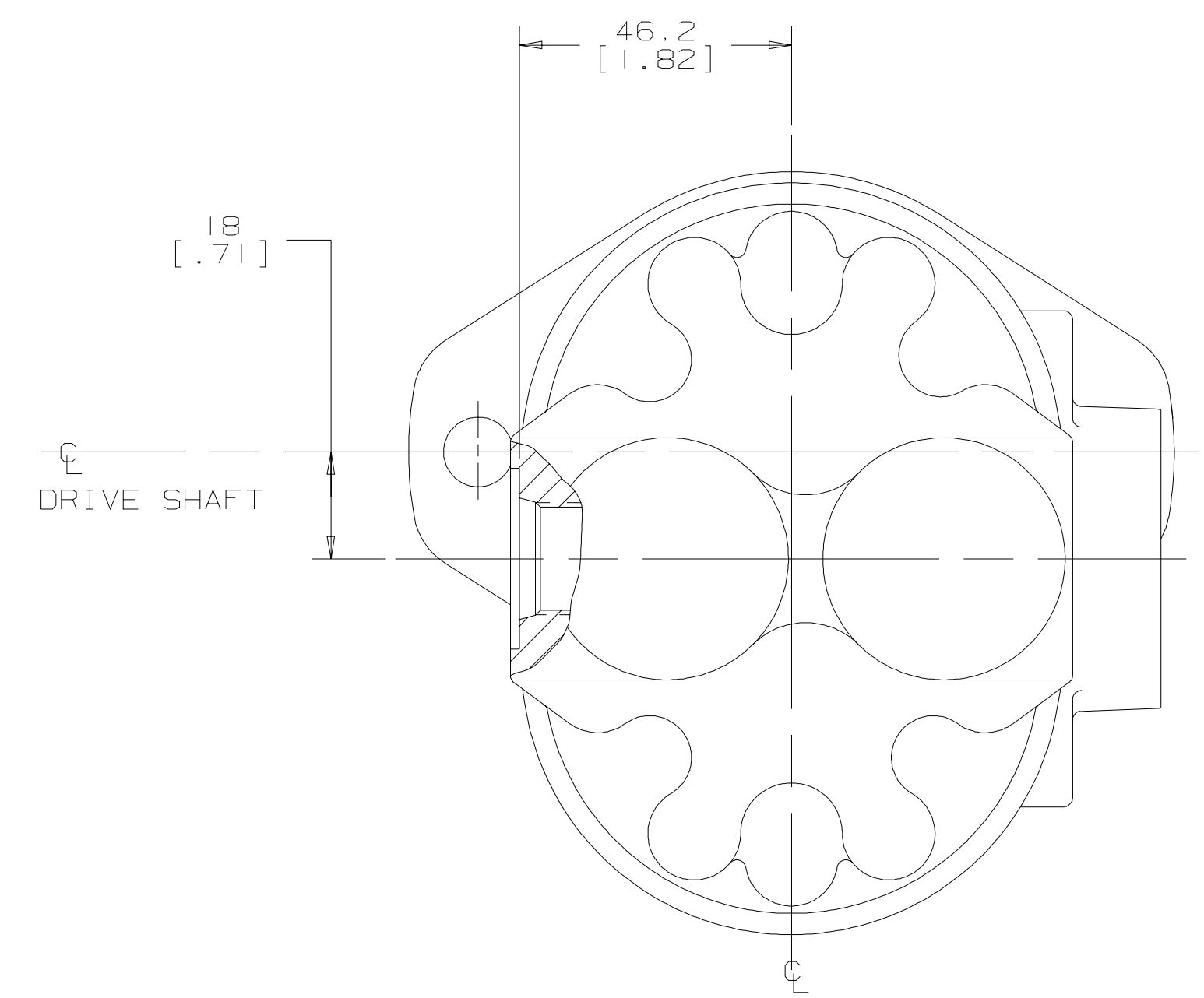
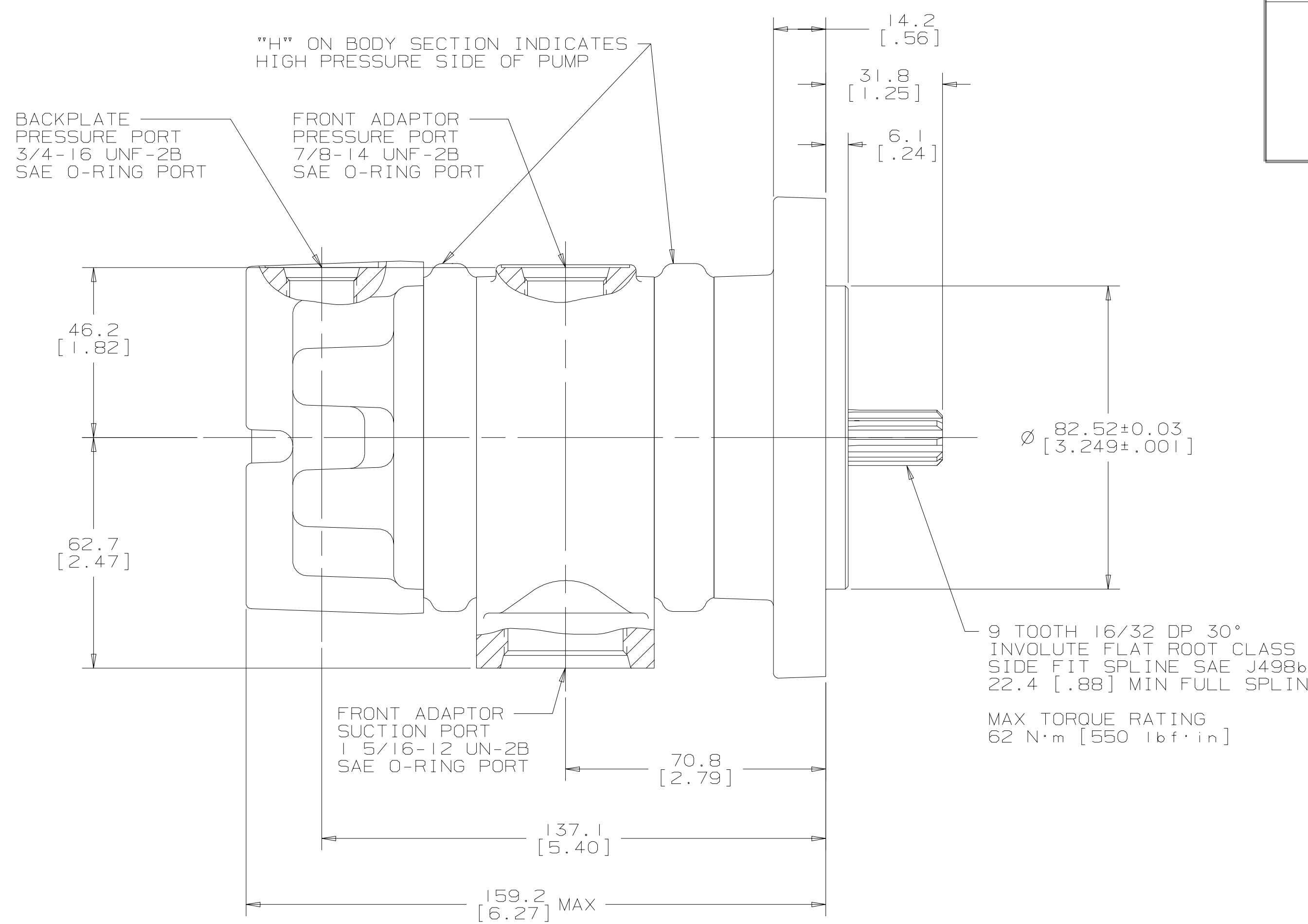


REV	DESCRIPTION	BY	CHK	DATE	ECN
A	ENGINEERING RELEASE	CEW	CEW	3-10-05	M64128



UNLESS OTHERWISE SPECIFIED ALL DIMENSIONS ARE IN INCHES <input type="checkbox"/> MILLIMETERS (INCHES) <input checked="" type="checkbox"/>	DRAWING BASED ON ANSI Y14.5M-1982		 Eaton Hydraulics, Inc. 14615 Lone Oak Road Eden Prairie, MN 55344
	NOTICE TO PERSONS RECEIVING THIS DRAWING AND / OR TECHNICAL INFORMATION Eaton Corporation claims proprietary rights in the information disclosed herein. This document is issued in confidence and is not to be reproduced or used to manufacture anything shown herein without the written permission of the Eaton Corporation.		
TOLERANCES .XX ± REF .XXX ± ONLY ∠ ±	DRAWN BY/DATE CEW 3-10-05 CHECKED BY/DATE CEW 3-10-05 ENGRD. BY/DATE CEW 3-10-05 METALLURGY BY/DATE	MATERIAL/HEAT TREAT	
UNSPECIFIED RADI ARE	THIRD ANGLE PROJECTION	TITLE GEAR PUMP INSTALLATION	
UNSPECIFIED DRAFT ANGLES ARE	ARTHEMATICAL AVERAGE	MICROINCHES (MICROINCHES) NUMBER 26502-RBE	SCALE 1/1 SHEET 1 OF 1
DRAWING FORMAT CADD <input checked="" type="checkbox"/> MANUAL <input type="checkbox"/>	DO NOT SCALE		