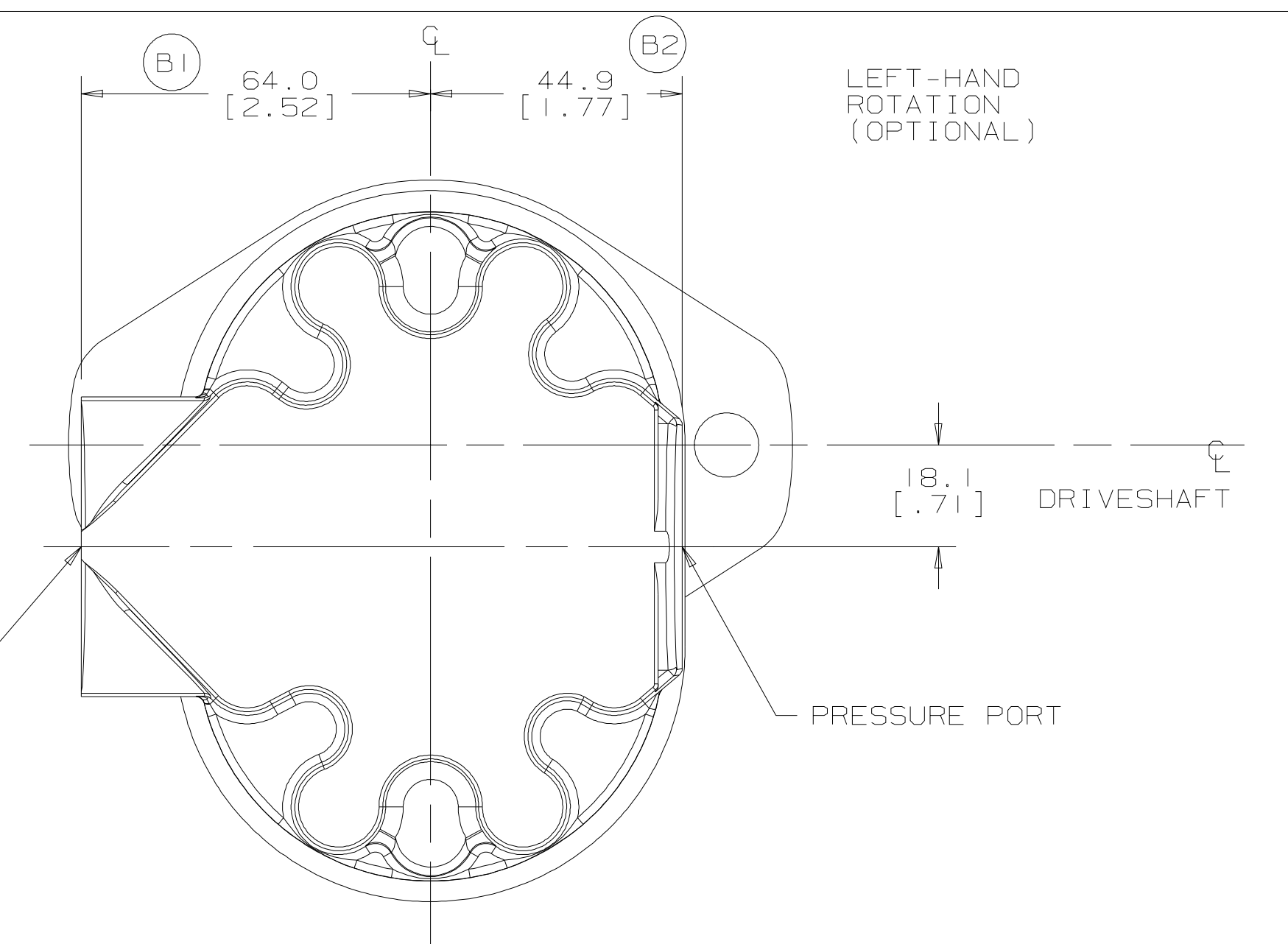
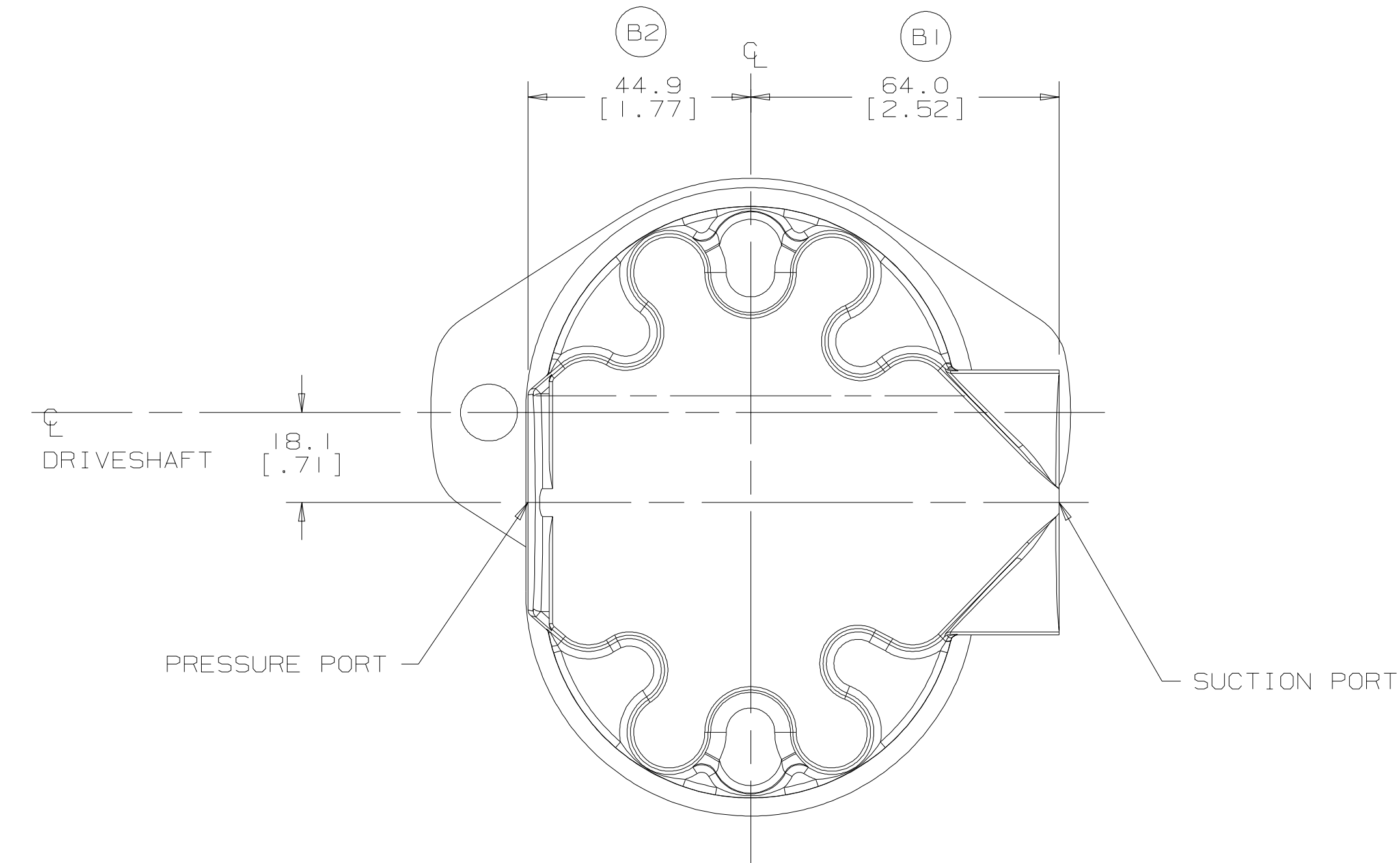
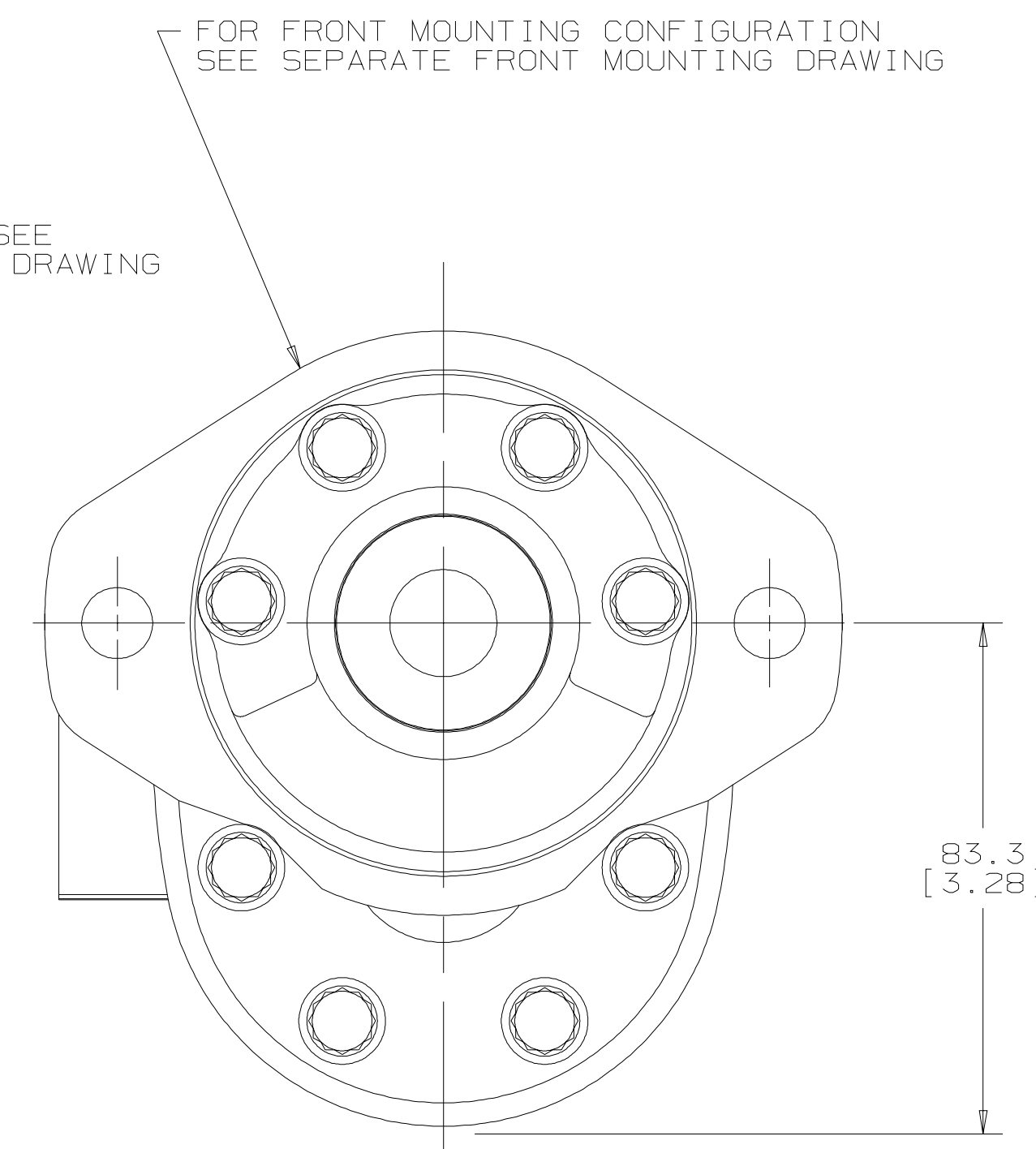
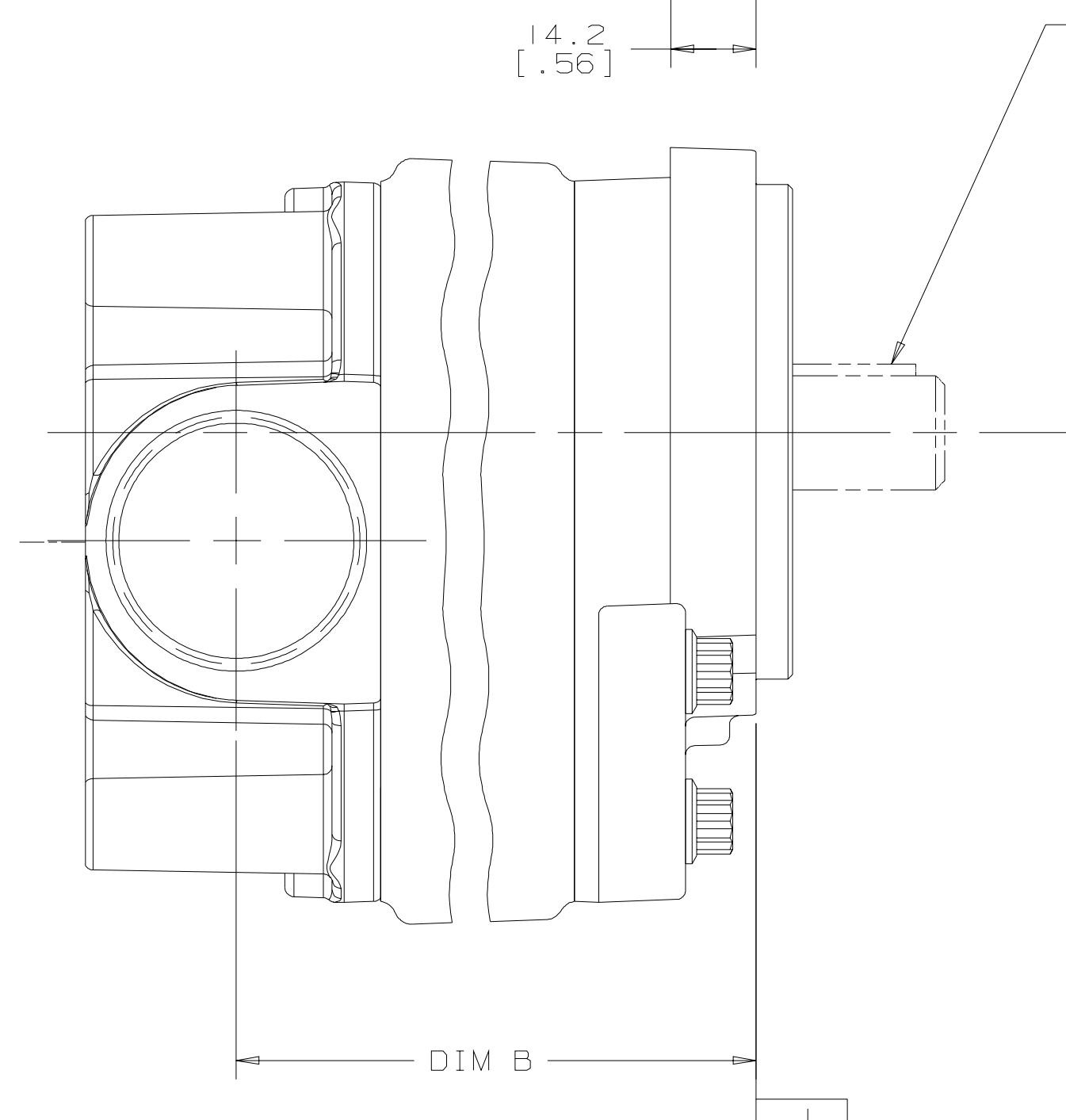
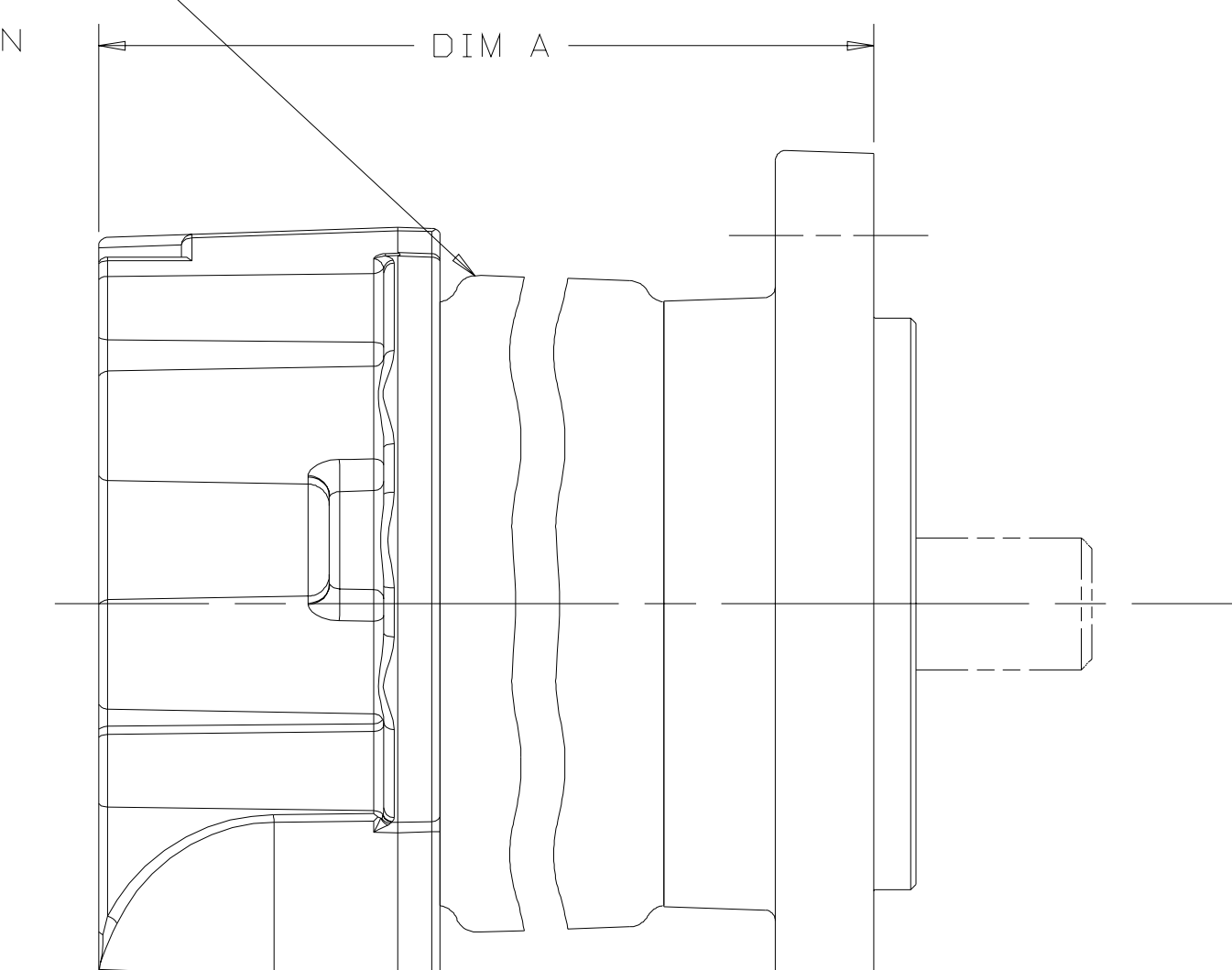


DISPLACEMENT	DIM A MAX	DIM B
	FRONT MOUNT 2 BOLT SAE A AND B	FRONT MOUNT 2 BOLT SAE A AND B
5.1 cm ³ /r [.31 in ³ /r]	92.6[3.65]	67.2[2.65]
6.6 cm ³ /r [.40 in ³ /r]	94.3[3.71]	68.9[2.71]
8.2 cm ³ /r [.50 in ³ /r]	96.2[3.79]	70.8[2.79]
9.5 cm ³ /r [.58 in ³ /r]	97.6[3.84]	72.2[2.84]
10.8 cm ³ /r [.66 in ³ /r]	99.4[3.91]	74[2.91]
11.8 cm ³ /r [.72 in ³ /r]	100.3[3.95]	74.9[2.95]
13.8 cm ³ /r [.84 in ³ /r]	102.6[4.04]	77.2[3.04]
16.7 cm ³ /r [1.02 in ³ /r]	105.8[4.16]	80.4[3.16]
19.7 cm ³ /r [1.20 in ³ /r]	109[4.29]	83.6[3.29]
22.5 cm ³ /r [1.37 in ³ /r]	112.2[4.42]	86.8[3.42]
24.3 cm ³ /r [1.48 in ³ /r]	114.5[4.51]	89.1[3.51]
25.2 cm ³ /r [1.54 in ³ /r]	115.4[4.54]	90[3.54]
27.7 cm ³ /r [1.69 in ³ /r]	118.6[4.67]	93.2[3.67]
29.0 cm ³ /r [1.77 in ³ /r]	120.2[4.73]	94.8[3.73]
30.6 cm ³ /r [1.87 in ³ /r]	121.8[4.79]	96.4[3.79]
35.1 cm ³ /r [2.14 in ³ /r]	127.3[5.01]	101.9[4.01]

"H" ON BODY SECTION INDICATES HIGH PRESSURE SIDE OF PUMP (CLOCKWISE ROTATION SHOWN) (COUNTER-CLOCKWISE ROTATION OPTIONAL)

REV	DESCRIPTION	BY	CHK	DATE	ECN
A	ENGINEERING RELEASE	WSM	CEW	2/7/00	M22856
B	-1 (6C), (7B) DIM WAS 62.7 [2.47] -2 (6C), (7B) DIM WAS 42.9 [1.49]	SBS	RSG	3/3/14	M92068



LEFT-HAND ROTATION (OPTIONAL)

RIGHT-HAND ROTATION SHOWN

UNLESS OTHERWISE SPECIFIED ALL DIMENSIONS ARE IN INCHES <input type="checkbox"/> MILLIMETERS <input checked="" type="checkbox"/>		DRAWING BASED ON ANSI Y14.5M-1982	
THE REPRODUCTION, DISTRIBUTION, AND UTILIZATION OF THIS DOCUMENT, AS WELL AS THE COMMUNICATION OF ITS CONTENTS TO OTHERS WITHOUT EXPLICIT AUTHORIZATION IS PROHIBITED. OFFENDERS WILL BE HELD LIABLE FOR THE PAYMENT OF DAMAGES. ALL RIGHTS RESERVED IN THE EVENT OF THE GRANT OF A PATENT, UTILITY MODEL, OR DESIGN. (PER ISO 16016)		Danfoss	
TOLERANCES .X ± ---- .XX ± REF .XXX ± ONLY ∠ ± ----		DRWN BY/DATE WSM 02/07/00	MATERIAL/HEAT TREAT
UNSPECIFIED RADI ARE		CHEK BY/DATE CEW 02/07/00	TITLE
UNSPECIFIED DRAFT ANGLES ARE		ENGR BY/DATE CEW 02/07/00	GEAR PUMP INSTALLATION
DRAWING FORMAT CADD <input checked="" type="checkbox"/> MANUAL <input type="checkbox"/>		THIRD ANGLE PROJECTION	NUMBER A-487-002
DO NOT SCALE		ARTHEMATICAL AVERAGE	SCALE 1/1 SHEET 1 OF 1