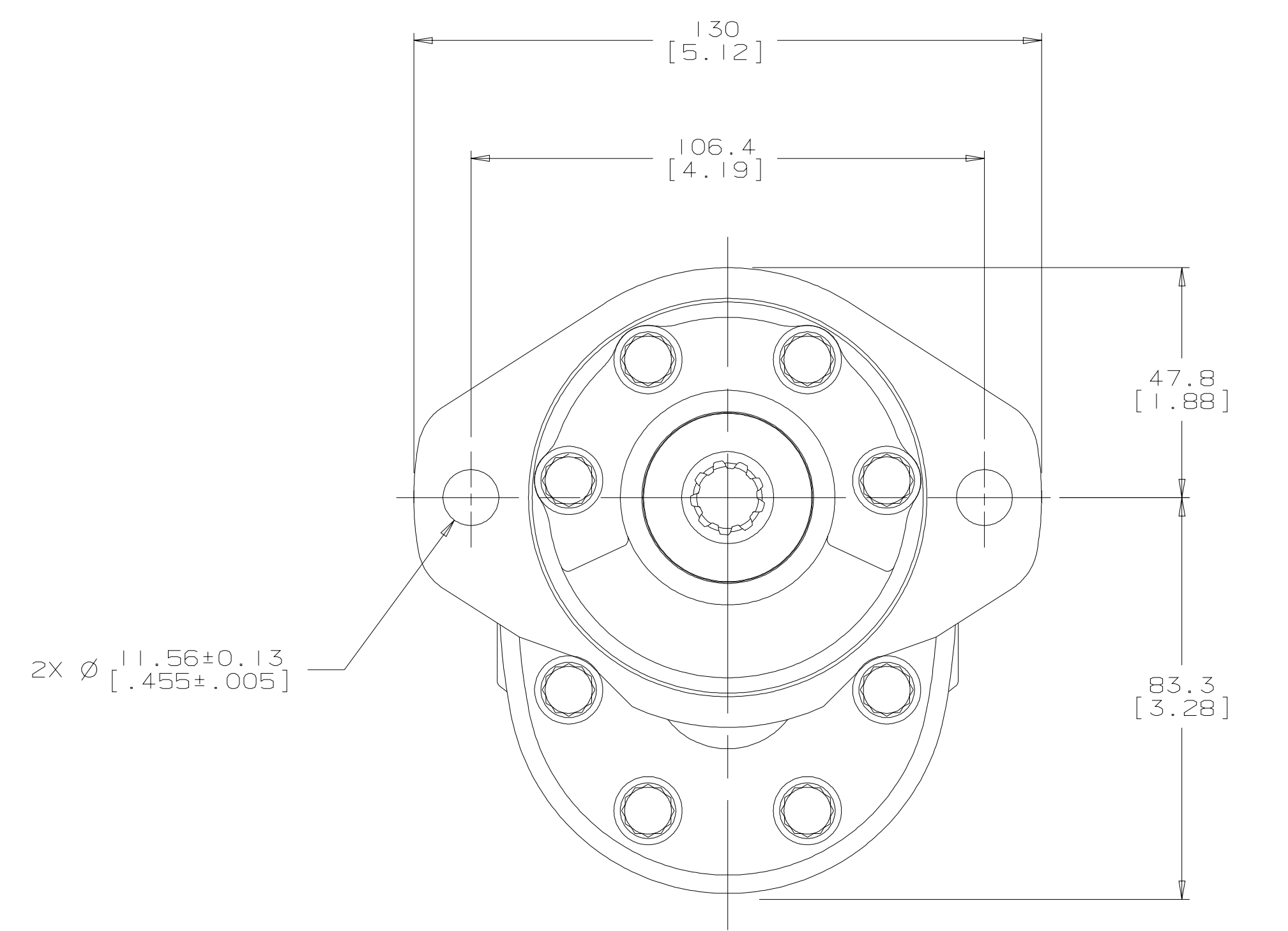
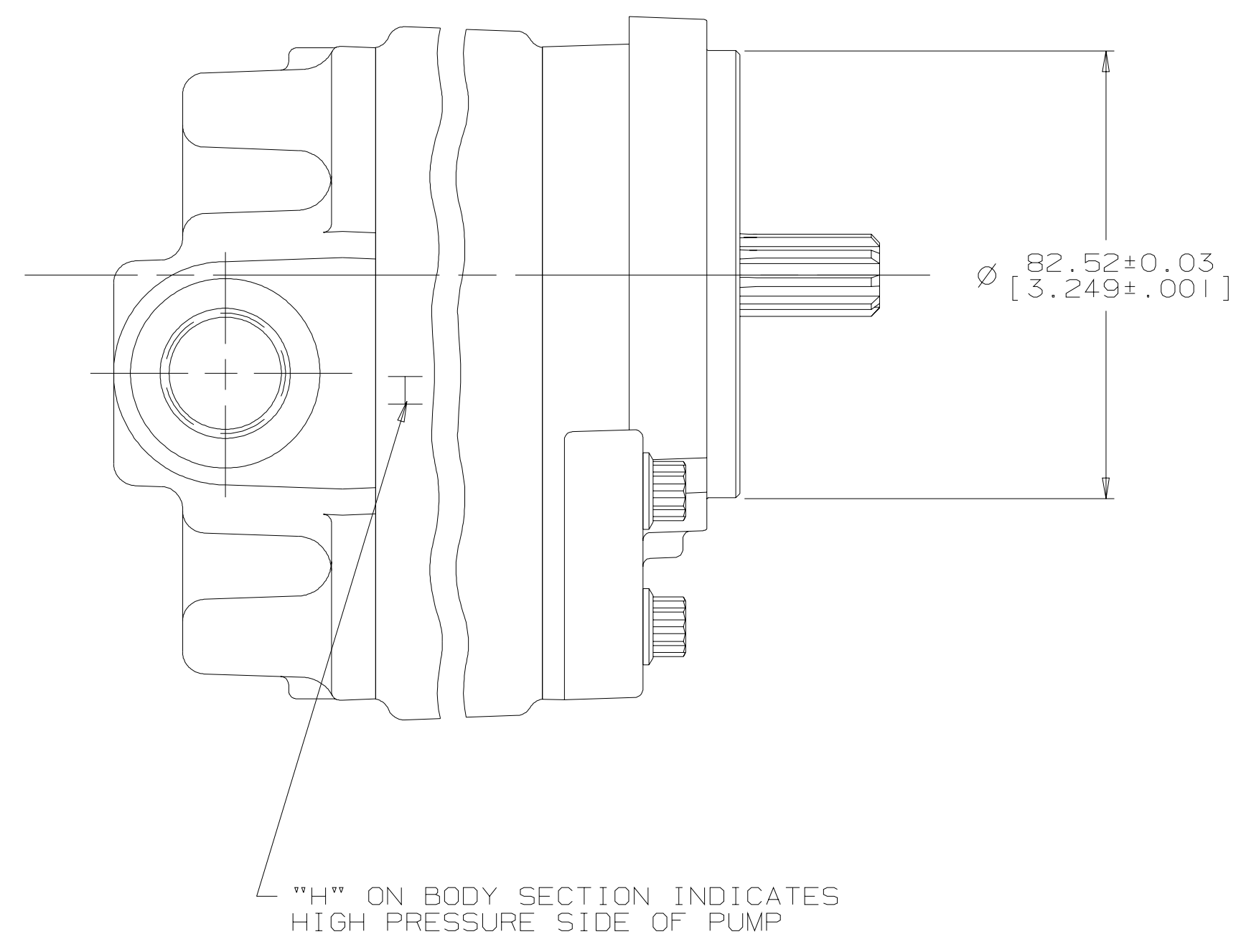
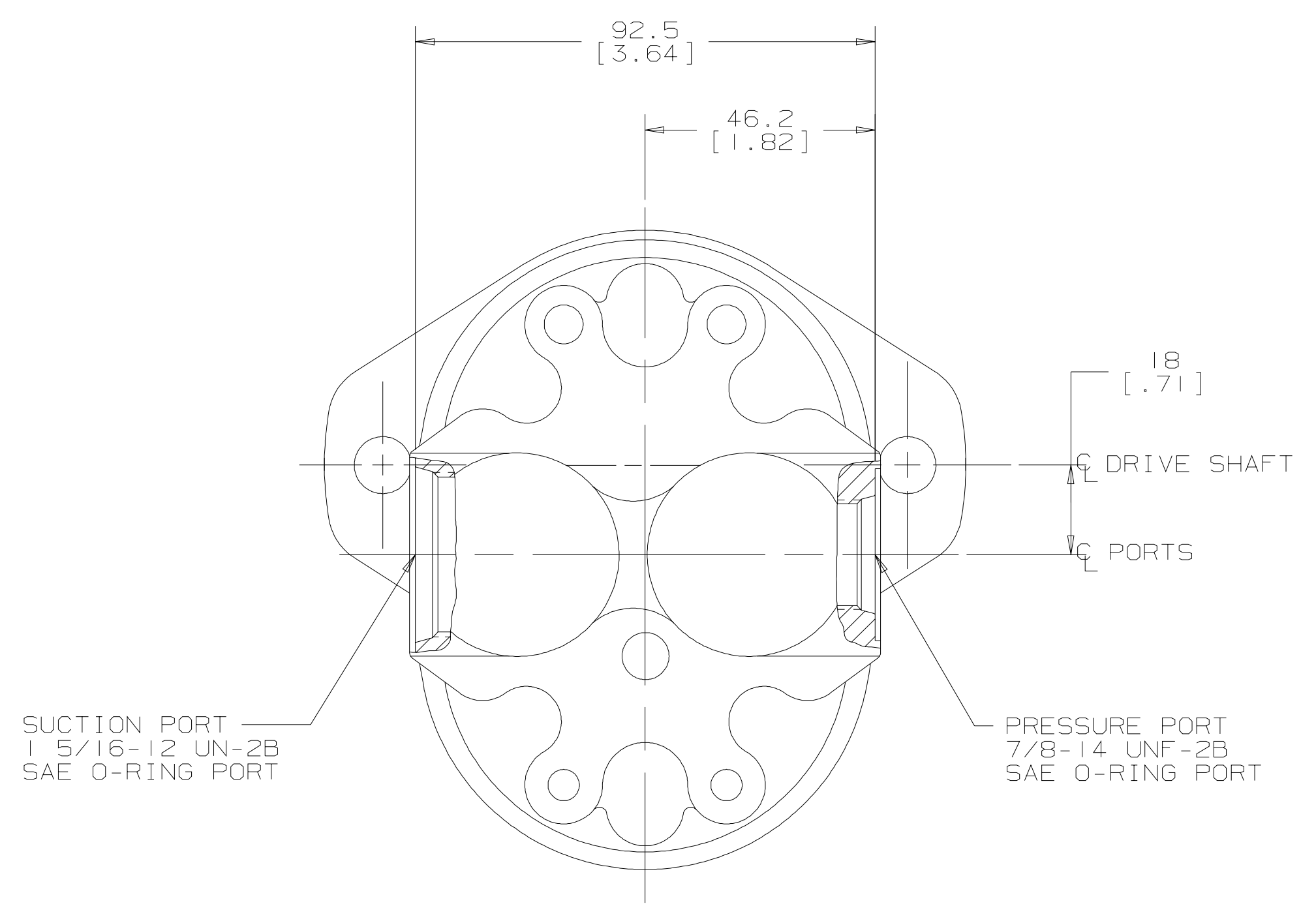
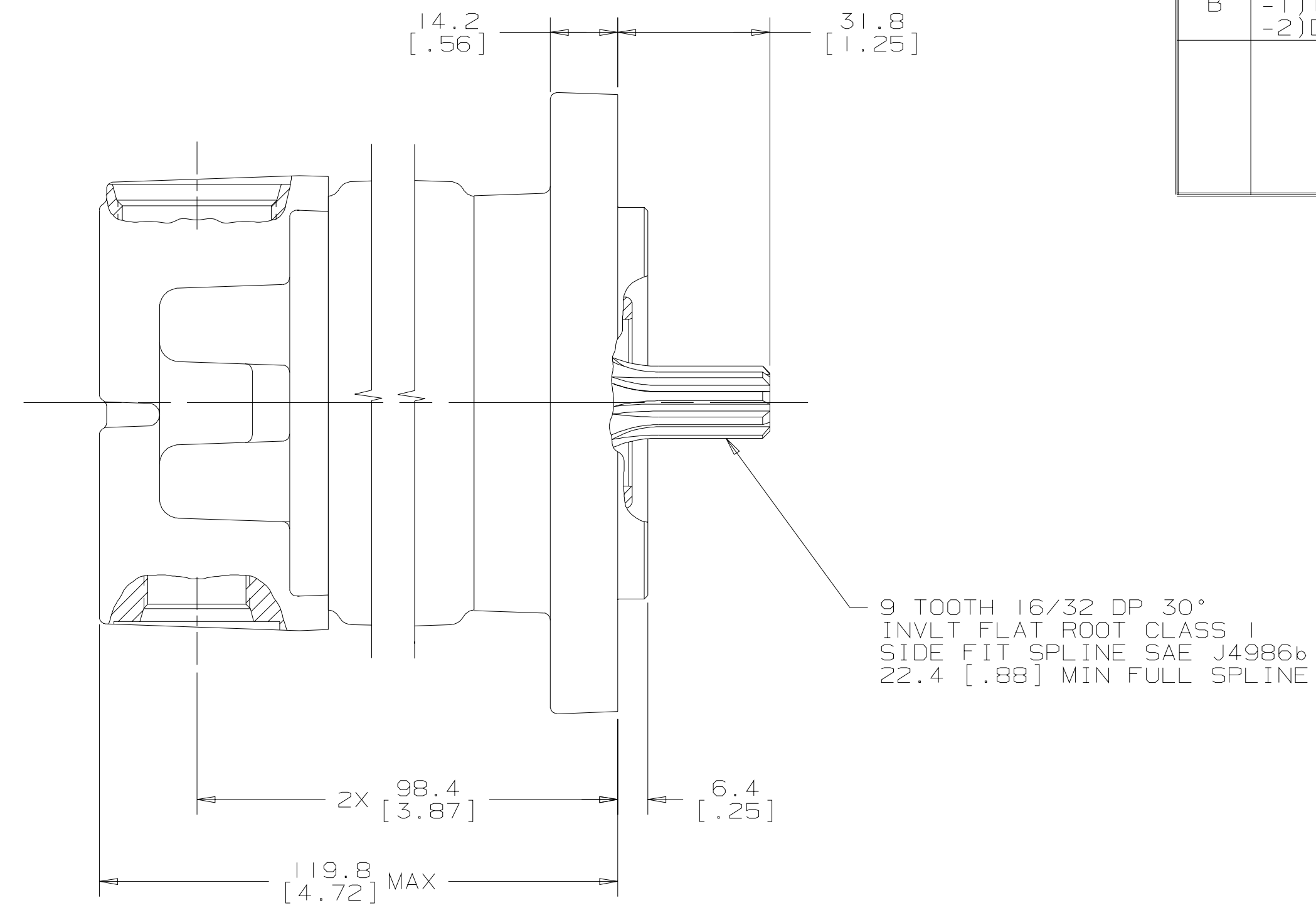


REV	DESCRIPTION	BY	CHK	DATE	ECN
A	ENGINEERING RELEASE	LMD	MLL	3-18-98	M19336
B	-1)(5A)ADDED NOTE "H" ON BODY SECTION... -2)DELETED BOLT MARKINGS -3)UPDATED BACKPLATE	WSM	WSM	11/27/98	31483



UNLESS OTHERWISE SPECIFIED ALL DIMENSIONS ARE IN INCHES <input type="checkbox"/> MILLIMETERS <input checked="" type="checkbox"/>		DRAWING BASED ON ANSI Y14.5M-1982	
TOLERANCES .X ±--- .XX ±REF .XXX ±ONLY ∠ ±---		NOTICE TO PERSONS RECEIVING THIS DRAWING AND / OR TECHNICAL INFORMATION Eaton Corporation claims proprietary rights in the information disclosed herein. This document is issued in confidence and is not to be reproduced or used to manufacture anything shown hereon without the written permission of the Eaton Corporation.	
DRAWN BY/DATE LMD 4-2-98 CHECKED BY/DATE MLL 4-2-98 ENGRD BY/DATE JLY 4-2-98 UNSPECIFIED RADII ARE METALLURGY ----- BY/DATE		MATERIAL/HEAT TREAT	
UNSPECIFIED DRAFT ANGLES ARE THIRD ANGLE PROJECTION		TITLE GEAR PUMP INSTALLATION	
DRAWING FORMAT CADD <input checked="" type="checkbox"/> MANUAL <input type="checkbox"/>		NUMBER 26012-LAN	
DO NOT SCALE		SCALE 1/1 SHEET 1 OF 1	

G H

A