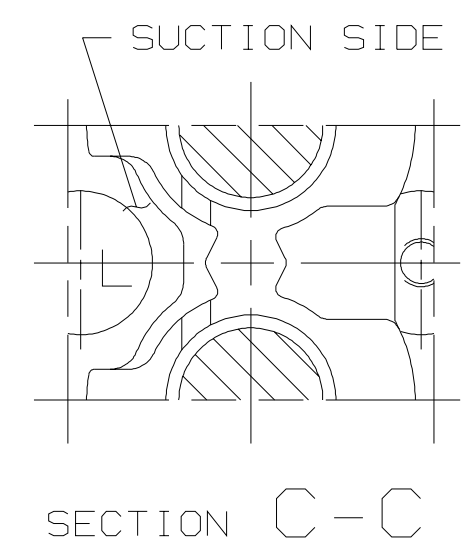
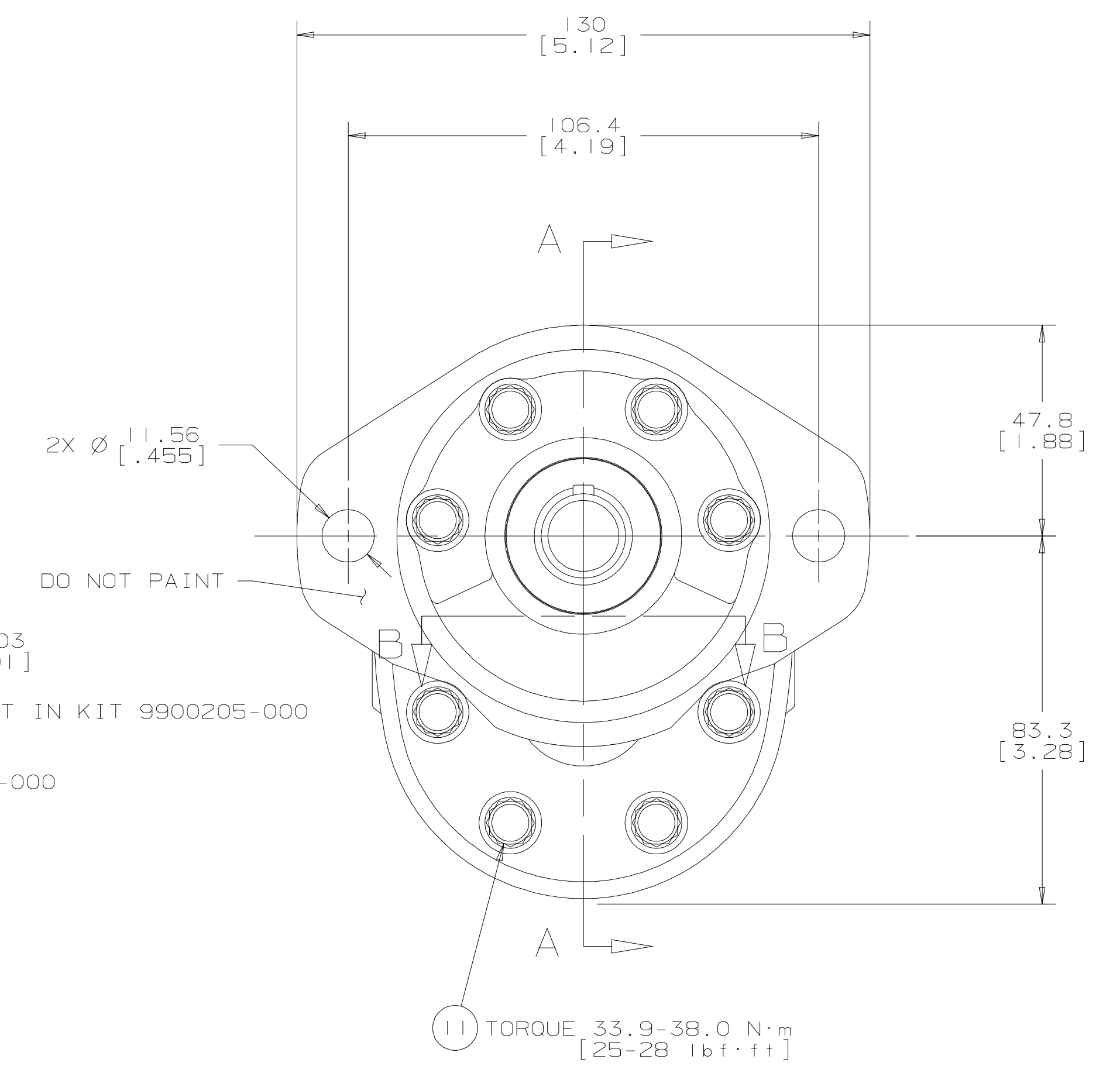
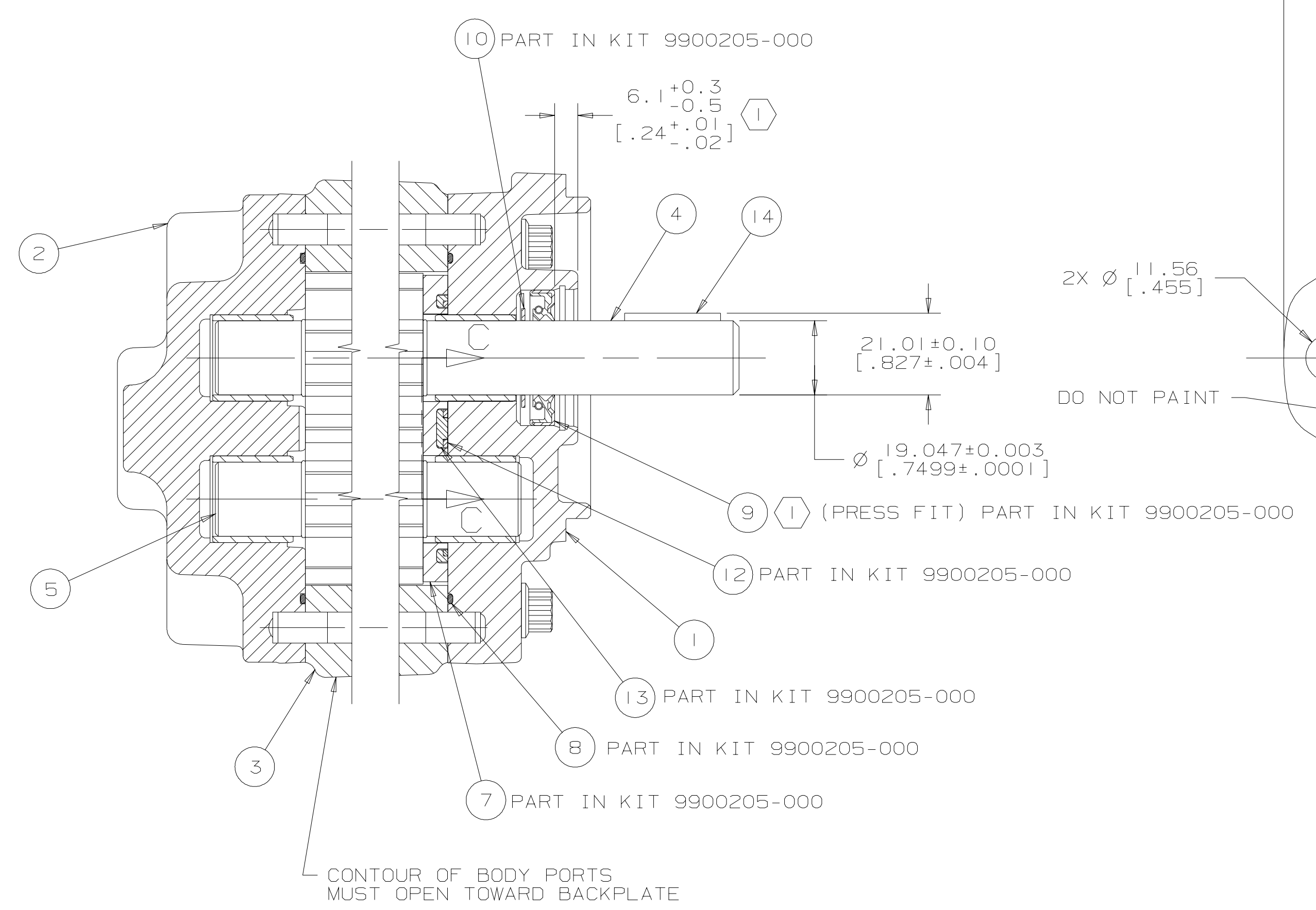
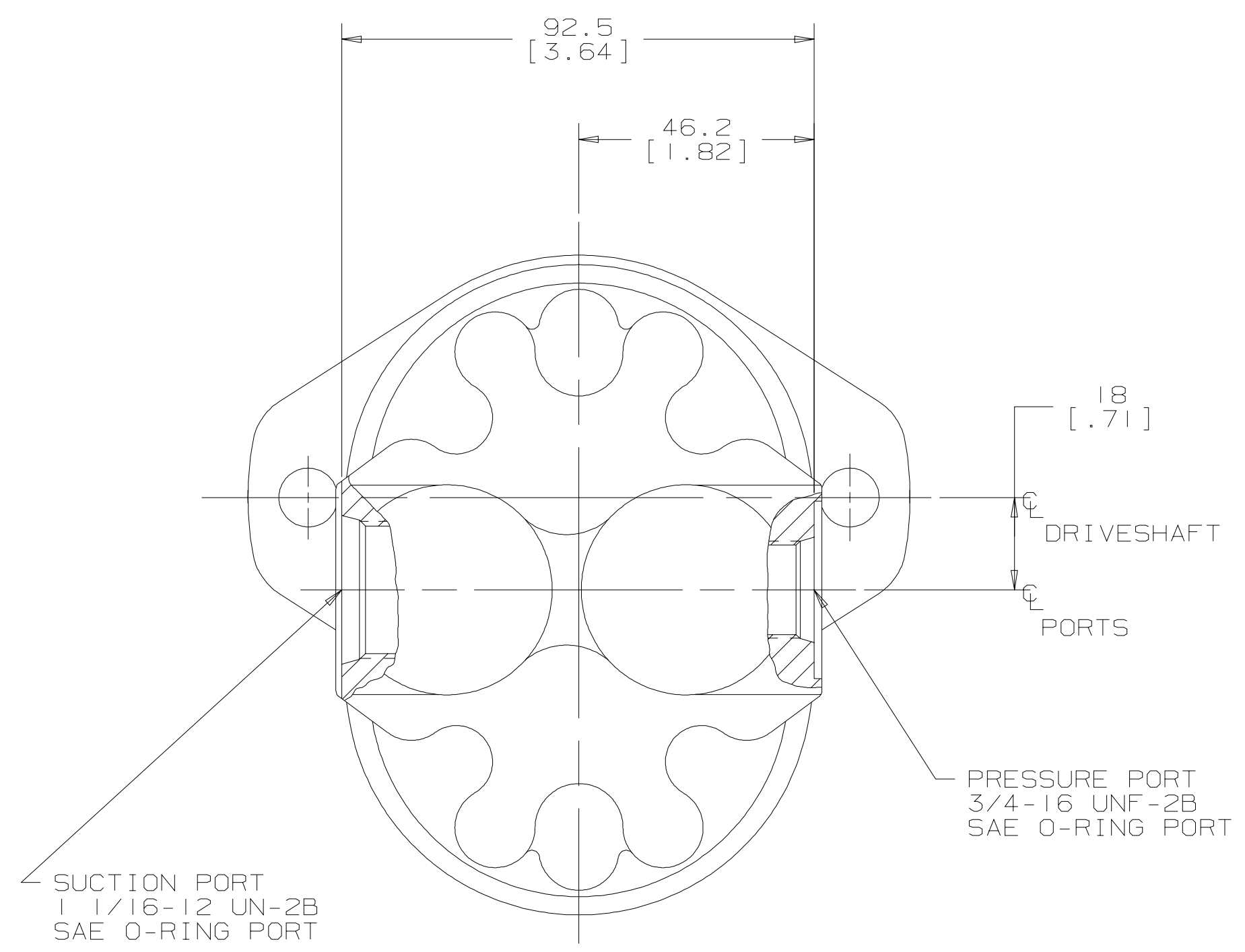
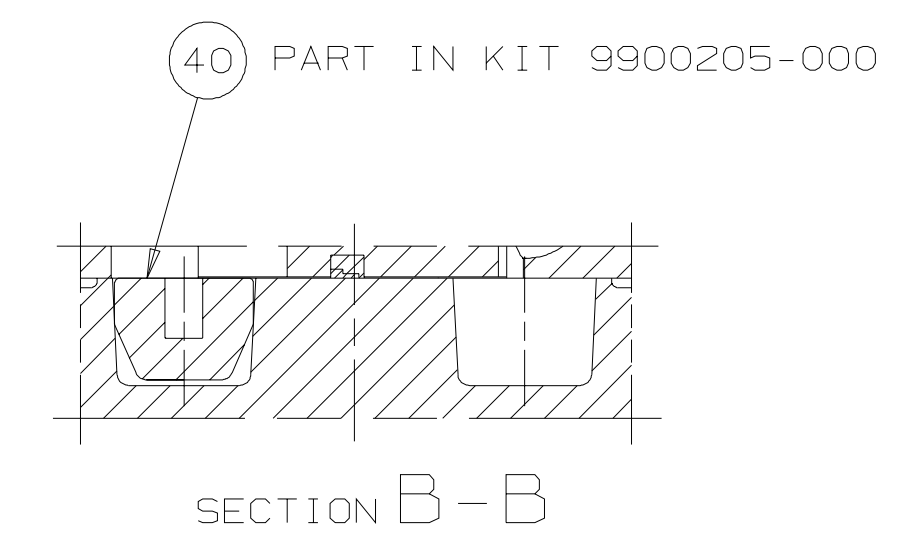
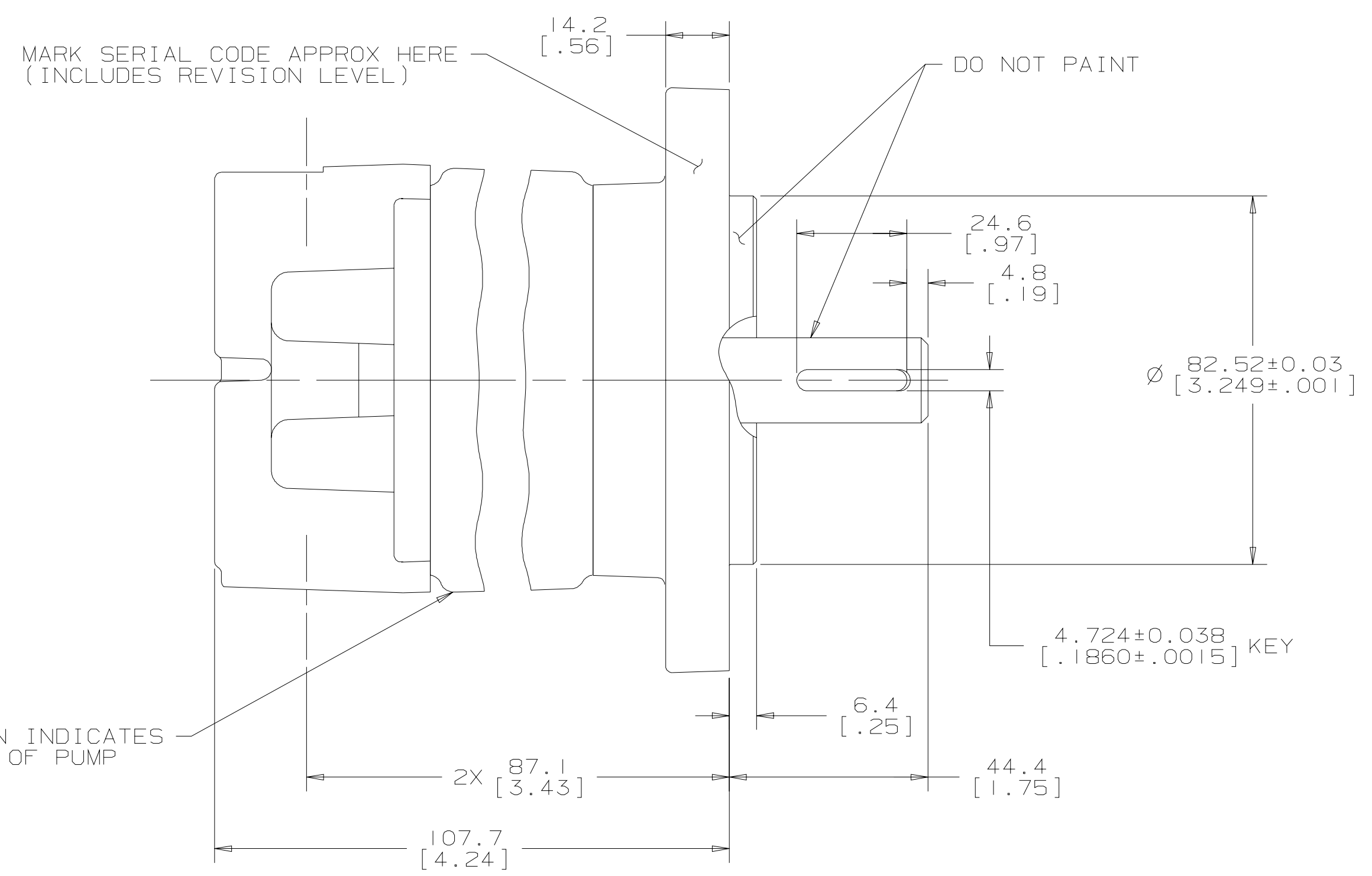


REV	DESCRIPTION	BY	CHK	DATE	ECN
A	ENGINEERING RELEASE	JLY	MLL	1/10/97	M16705
B	(5B)CHANGED LOWER CENTER VIEW TO A CROSS-SECTIONAL VIEW	AMK	LMD	5/6/98	31115
C	-1)(6C)ADDED NOTE "H" ON BODY SECTION... -2)DELETED BOLT MARKINGS -3)UPDATED BACKPLATE	WSM	WSM	11/27/98	31483
D	-1)"PART IN KIT 9900205-000" WAS KIT 26000-901 -2)(3B)2X Ø11.56 [.455] WAS 2X Ø11.56 ±0.13 [.455±.005] -3)(2A)ADDED TORQUE TO ITEM 11 -4) (4C)ADDED SEAL DEPTH DIMENSION -5)(5D)ADDED "MARK SERIAL..." -6)(4D,3B)ADDED "DO NOT PAINT" -7)(4A)ADDED NOTE 1 -8)(4B,4C)ADDED HEX FLAG 1 TO ITEM 9 AND SEAL DEPTH DIMENSION -9)(2B) ADDED ESP-042 CLASSIFICATION	CEW	CEW	8-19-04	48858



NOTE  
 (1) PRESS ITEM 9 SEAL TO DIMENSION SHOWN

REVIEWED FOR CLASSIFICATION PER ESP-042 G H

UNLESS OTHERWISE SPECIFIED ALL DIMENSIONS ARE IN INCHES <input type="checkbox"/> MILLIMETERS <input checked="" type="checkbox"/>		DRAWING BASED ON ANSI Y14.5M-1982	
TOLERANCES .x ±.--- .xx ±REF .xxx ±ONLY < ±.---		THE REPRODUCTION, DISTRIBUTION, AND UTILIZATION OF THIS DOCUMENT, AS WELL AS THE COMMUNICATION OF ITS CONTENTS TO OTHERS WITHOUT EXPLICIT AUTHORIZATION IS PROHIBITED. OFFENDERS WILL BE HELD LIABLE FOR THE PAYMENT OF DAMAGES. ALL RIGHTS RESERVED IN THE EVENT OF THE GRANT OF A PATENT, UTILITY MODEL, OR DESIGN. (PER ISO 16016)	
DRWN BY/DATE J.L. YOHO 2/28/97		MATERIAL/HEAT TREAT	
CHECKED MLL 6/17/97		TITLE	
ENGR BY/DATE RJA 6/17/97		GEAR PUMP INSTALLATION	
UNSPECIFIED RADII ARE ---		METALLURGY ---	
UNSPECIFIED DRAFT ANGLES ARE ---		THIRD ANGLE PROJECTION	
DRAWING FORMAT CAD <input checked="" type="checkbox"/> MANUAL <input type="checkbox"/>		DO NOT SCALE	
MICROINCHES [MICROINCHES]		NUMBER	
SCALE 1/1		26007-LAH	
ARTHEMETICAL AVERAGE		SHEET 1 OF 1	

