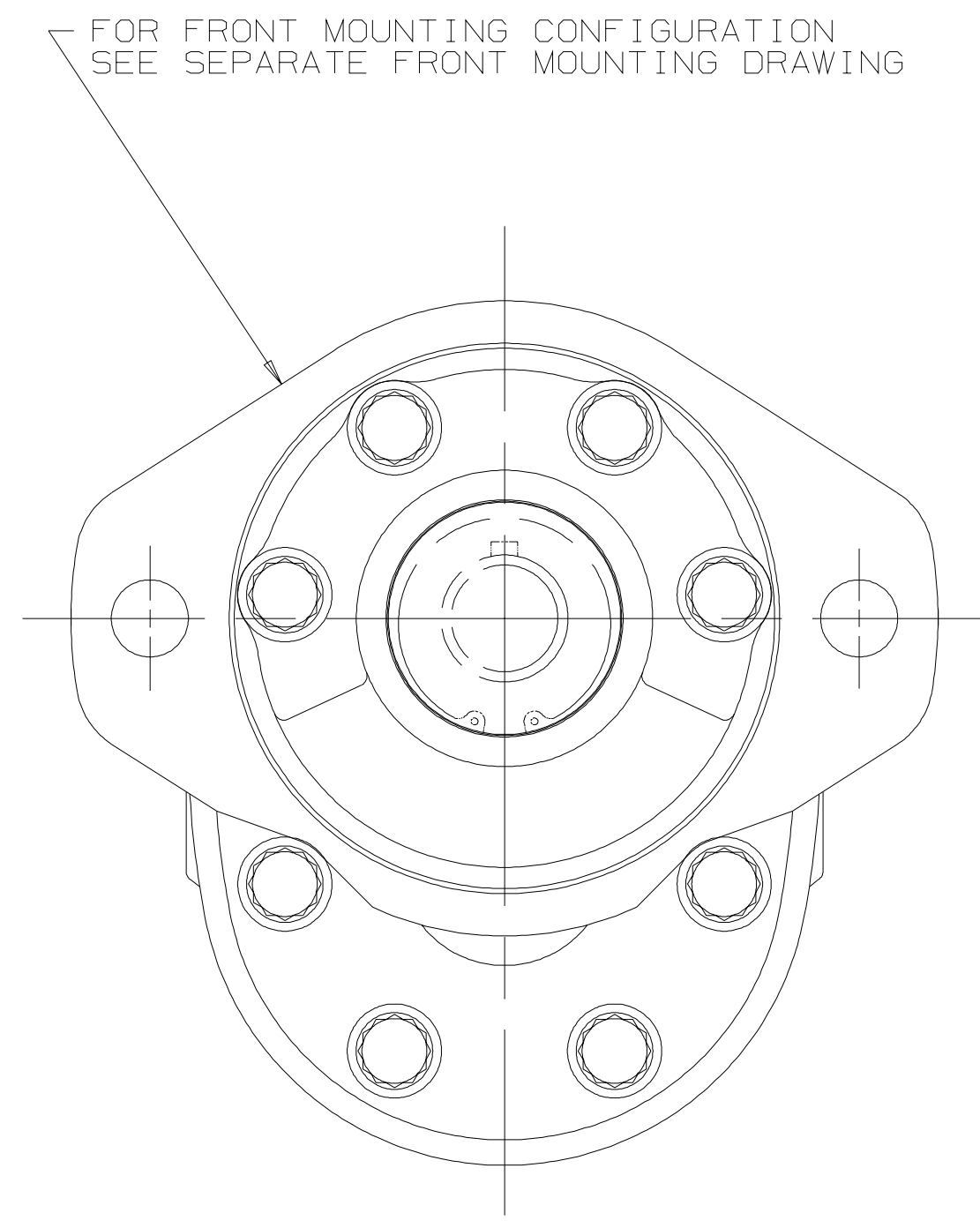
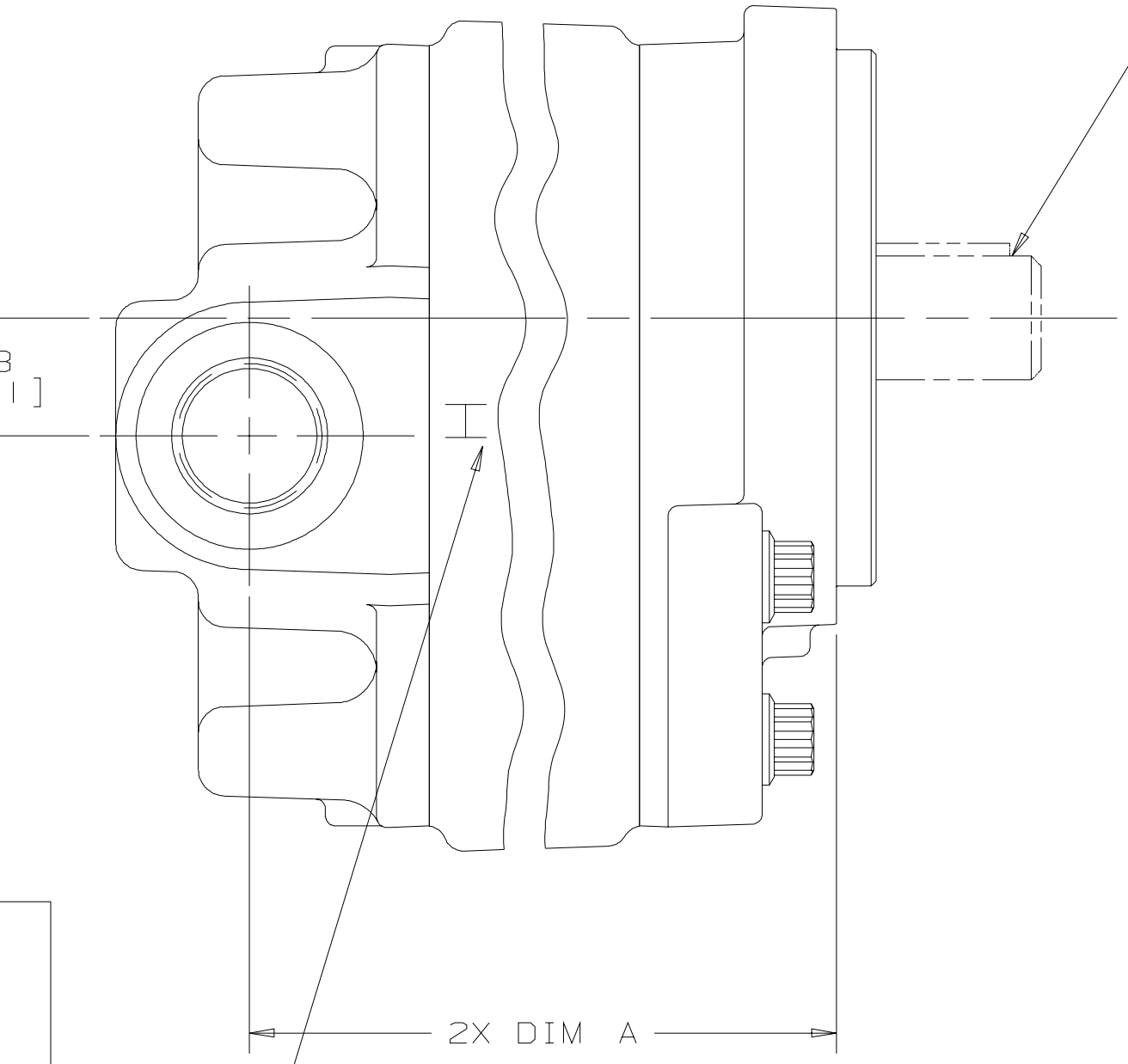
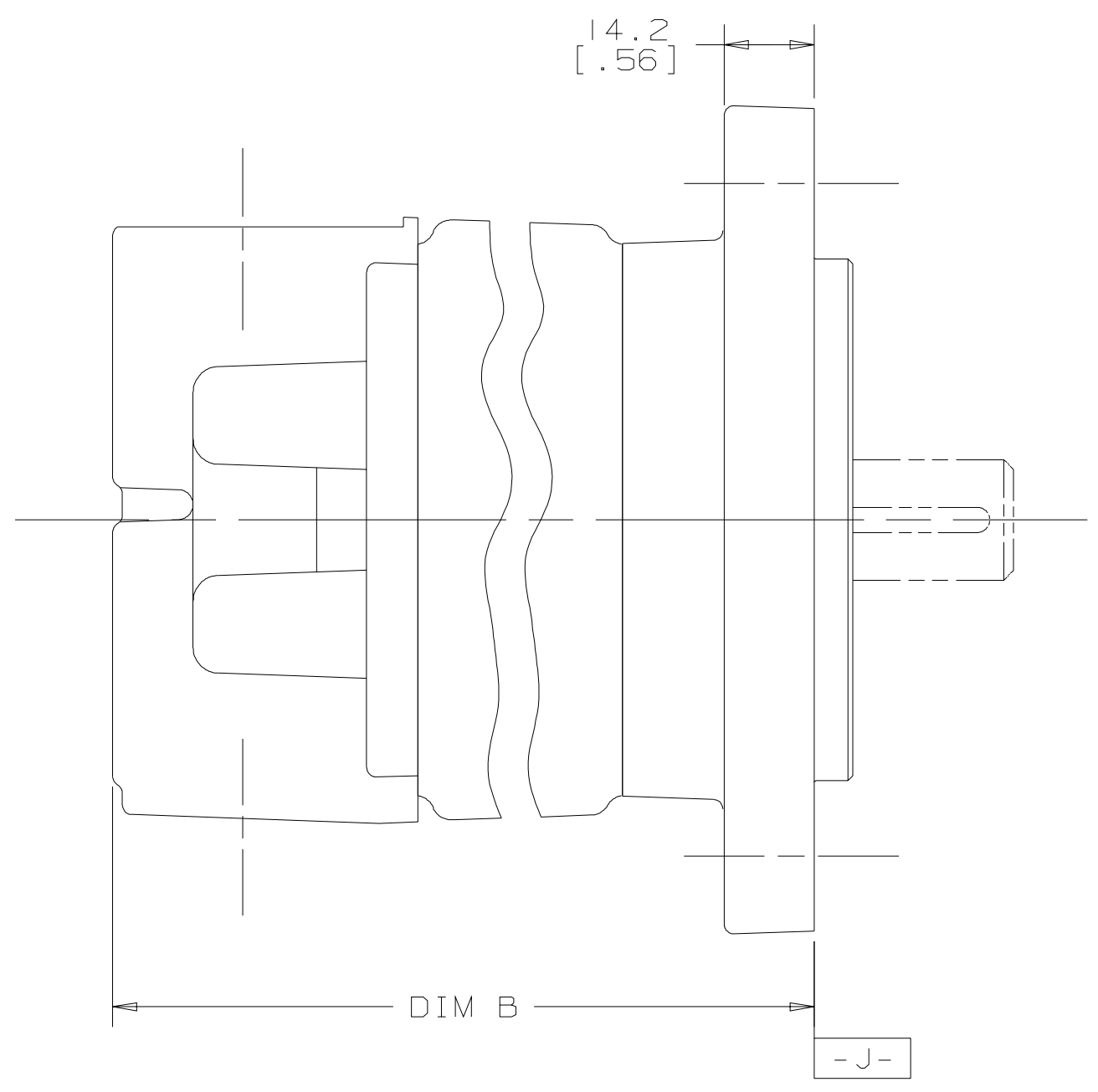
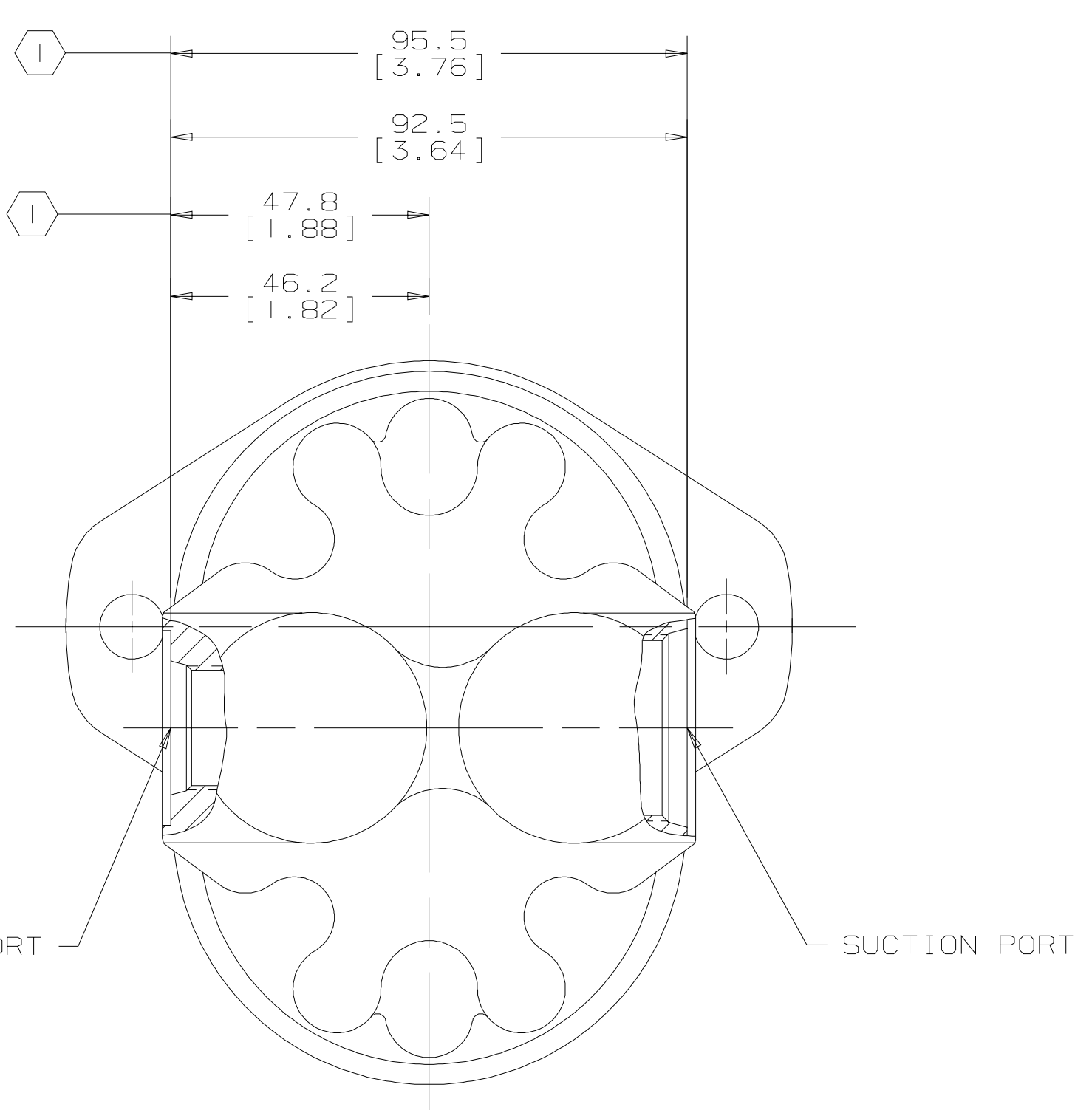
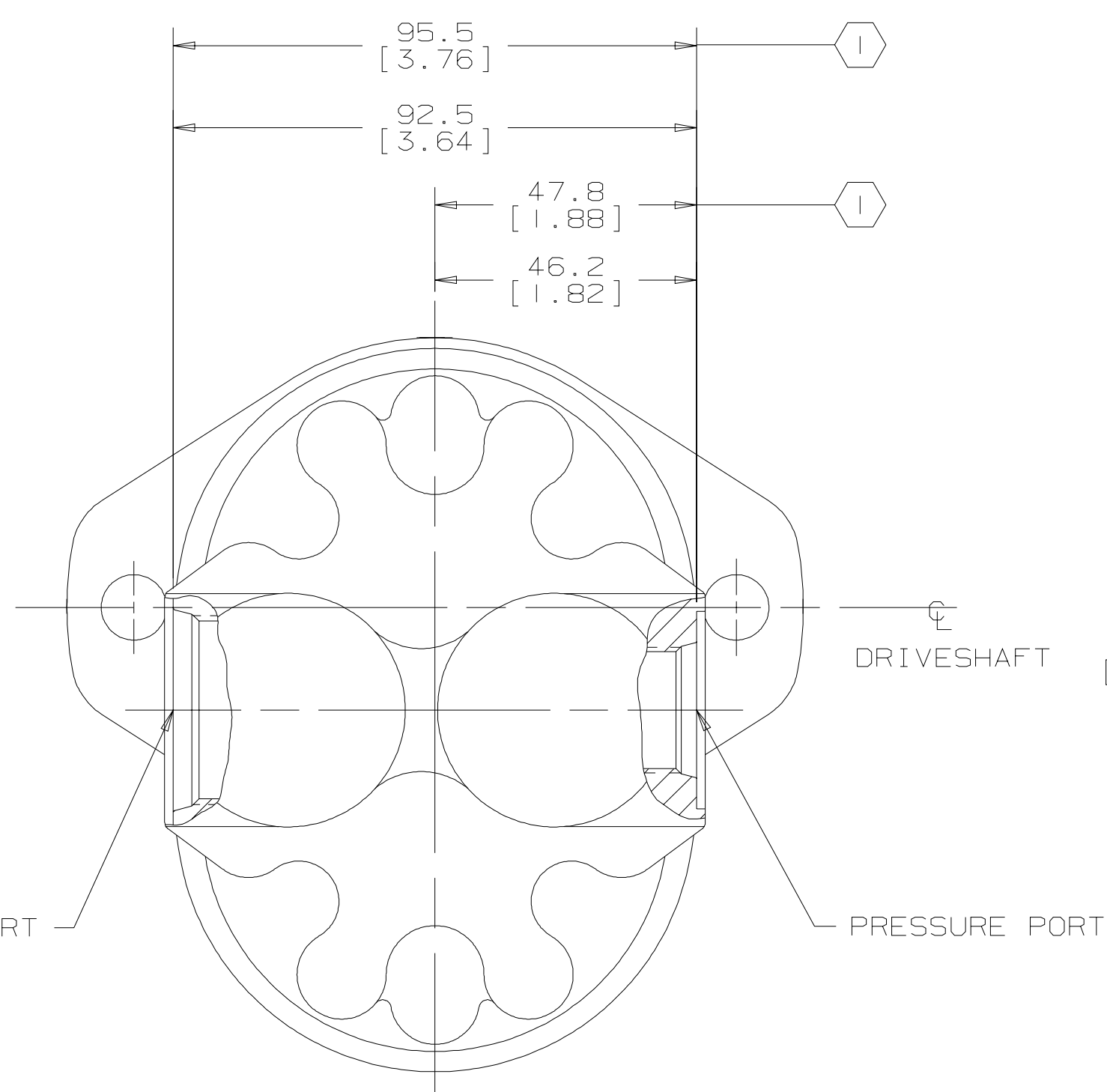


DISPLACEMENT	DIM A	DIM B
	FRONT MOUNT 2 BOLT SAE A AND B	FRONT MOUNT 2 BOLT SAE A AND B
5.1 cm ³ /r [.31 in ³ /r]	70.8 [2.79]	91.4 [3.60]
6.6 cm ³ /r [.40 in ³ /r]	72.4 [2.85]	93 [3.66]
8.2 cm ³ /r [.50 in ³ /r]	74.3 [2.93]	94.9 [3.74]
9.5 cm ³ /r [.58 in ³ /r]	75.8 [2.98]	96.4 [3.79]
10.8 cm ³ /r [.66 in ³ /r]	77.5 [3.05]	98.1 [3.86]
11.8 cm ³ /r [.72 in ³ /r]	78.5 [3.09]	99 [3.90]
13.8 cm ³ /r [.84 in ³ /r]	80.7 [3.18]	101.3 [3.99]
16.7 cm ³ /r [1.02 in ³ /r]	83.9 [3.30]	104.5 [4.11]
19.7 cm ³ /r [1.20 in ³ /r]	87.1 [3.43]	107.7 [4.24]
22.4 cm ³ /r [1.37 in ³ /r]	90.3 [3.56]	110.9 [4.37]
24.3 cm ³ /r [1.48 in ³ /r]	92.7 [3.65]	113.3 [4.46]
25.2 cm ³ /r [1.54 in ³ /r]	93.5 [3.68]	114.1 [4.49]
27.7 cm ³ /r [1.69 in ³ /r]	96.7 [3.81]	117.3 [4.62]
29 cm ³ /r [1.77 in ³ /r]	98.4 [3.87]	118.9 [4.68]
30.6 cm ³ /r [1.87 in ³ /r]	99.9 [3.93]	120.5 [4.74]
35.1 cm ³ /r [2.14 in ³ /r]	105.4 [4.15]	126 [4.96]

REV	DESCRIPTION	BY	CHK	DATE	ECN
A	ENGINEERING RELEASE	I JH	CMJ	04-08-92	Z1480
G	(5C)(5D)REVISED PICTORIALY	CEW	CEW	12-18-01	M26917
H	REVISED FRONT PLATE PICTORIALY	CEW	CEW	1-28-04	M60906



"H" ON BODY SECTION INDICATES HIGH PRESSURE SIDE OF PUMP (COUNTER-CLOCKWISE ROTATION) (CLOCKWISE ROTATION OPTIONAL)

NOTE
 (I) DIMENSIONS FOR NPTF PIPE THREAD LOCATIONS

UNLESS OTHERWISE SPECIFIED ALL DIMENSIONS ARE IN INCHES <input type="checkbox"/> MILLIMETERS (INCHES) <input checked="" type="checkbox"/>		DRAWING BASED ON ANSI Y14.5M-1982	
TOLERANCES .XX ±--- .XXX +REF .XXX +ONLY < ±---		NOTICE TO PERSONS RECEIVING THIS DRAWING AND / OR TECHNICAL INFORMATION Eaton Corporation claims proprietary rights in the information disclosed herein. This document is issued in confidence and is not to be reproduced or used to manufacture anything shown herein without the written permission of the Eaton Corporation.	
DRAWN BY/DATE I JH 11-11-91		MATERIAL/HEAT TREAT	
CHECKED BY/DATE CMJ 5-15-92		ENGRG BY/DATE JCW 6-29-92	
UNSPECIFIED RADII ARE ---		METALLURGY BY/DATE	
UNSPECIFIED DRAFT ANGLES ARE ---		THIRD ANGLE PROJECTION	
DRAWING FORMAT CADD <input checked="" type="checkbox"/> MANUAL <input type="checkbox"/>		DO NOT SCALE	
		MICROINCHES (MICROINCHES) NUMBER A-487-000	
		ARTHMETICAL AVERAGE SCALE 1/1 SHEET 1 OF 1	

G H

A-487-000