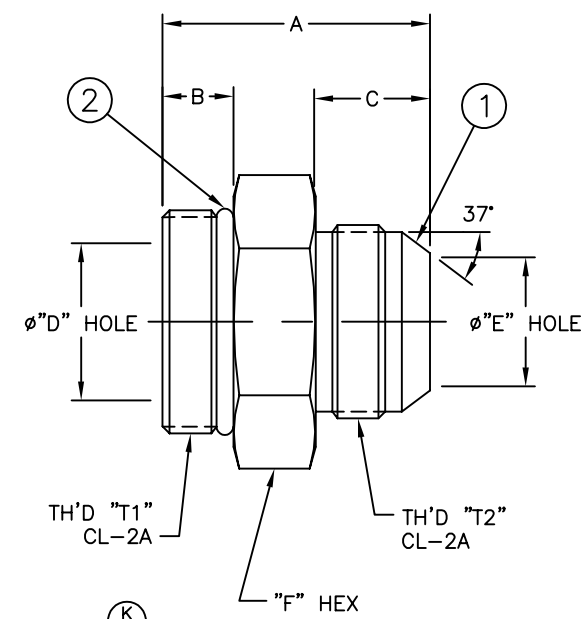


PART NUMBER	WHD PART NO	TH'D "T1"	TH'D "T2"	A REF	B REF	C REF	D REF	E REF	F REF (INCH)
259-202702-4-4	5327X4	7/16-20	7/16-20	31.2 [1.23]	9.1 [.36]	14 [.55]	4.3 [.17]	4.3 [.17]	9/16
259-202702-6-6	5327X6	9/16-18	9/16-18	33 [1.30]	9.9 [.39]	14.2 [.56]	7.6 [.30]	7.6 [.30]	11/16
259-202702-6-8	5327X8X6	9/16-18	3/4-16	36.6 [1.44]	9.9 [.39]	16.8 [.66]	7.6 [.30]	9.9 [.39]	13/16
259-202702-8-6	5327X6X8	3/4-16	9/16-18	35.1 [1.38]	11.2 [.44]	14.2 [.56]	9.9 [.39]	7.6 [.30]	7/8
259-202702-8-8		3/4-16	3/4-16	37.6 [1.48]	11.2 [.44]	16.8 [.66]	9.9 [.39]	9.9 [.39]	7/8
259-202702-10-8	5327X8X10	7/8-14	3/4-16	40.6 [1.60]	12.7 [.50]	16.8 [.66]	12.2 [.48]	9.9 [.39]	1
259-202702-12-8	5327X8X12	1 1/16-12	3/4-16	44.7 [1.76]	15 [.59]	16.8 [.66]	15.5 [.61]	9.9 [.39]	1 1/4
259-202702-12-10		1 1/16-12	7/8-14	47.2 [1.86]	15 [.59]	19.3 [.76]	15.5 [.61]	12.3 [.48]	1 1/4
259-202702-12-12	5327X12	1 1/16-12	1 1/16-12	50 [1.97]	15 [.59]	21.8 [.86]	15.5 [.61]	15.5 [.61]	1 1/4
259-202702-16-8		1 5/16-12	3/4-16	45.5 [1.79]	15 [.59]	16.8 [.66]	21.5 [.85]	9.9 [.39]	1 1/2
259-202702-16-16		1 5/16-12	1 5/16-12	51.8 [2.04]	15 [.59]	23.1 [.91]	21.3 [.84]	21.3 [.84]	1 1/2
259-202702-20-20		1 5/8-12	1 5/8-12	55.1 [2.17]	15 [.59]	24.4 [.96]	27.4 [1.08]	27.4 [1.08]	1 7/8



REVISIONS			
REV	DESCRIPTION	DATE	APPROVED
G	REDRAWN - LAST REV. "F" (1) ADDED 259-202702-4-6, AND 259-202702-24-20 (2) ADDED METRIC DIMENSIONS AND NOTE #1	2001-03-19	EN-F21316 DP-1391
H	(1) "AISI 316 STAINLESS STEEL" WAS "STEEL"	2001-05-01 LO/RDW	EN-F21817 DP-24901
J	(1) ADDED 259-202702-12-10	2003-04-22 MM	EN-F24333 RPS-2816
K	1) REMOVED PART NO. 259-202702-4-6, 259-202702-5-5, 259-202702-6-4, 259-202702-8-12, 259-202702-10-8, 259-202702-10-10, 259-202702-12-16, 259-202702-16-12, 259-202702-20-24, 259-202702-24-20, 259-202702-24-24.	2005-8-17 VJS/ANS	EN-F28387 DP-1639
L	(1) ADDED 259-202702-10-8 (2) ADDED WEATHERHEAD PART NUMBERS	2012-05-08 RDZ/AGV	0069495 -ECO
M	1) ADDED PART #259-202702-16-8.	2016-02-01 MAS/SBD	0119489 -ECO RPS 46619

METRIC

259-202702-20-20	259-202701-20-20	22617-20
259-202702-16-16	259-202701-16-16	22617-16
259-202702-16-8	259-202701-16-8	22617-16
259-202702-12-12	259-202701-12-12	22617-12
259-202702-12-10	259-202701-12-10	22617-12
259-202702-12-8	259-202701-12-8	22617-12
259-202702-10-8	259-202701-10-8	22617-10
259-202702-8-8	259-202701-8-8	22617-8
259-202702-8-6	259-202701-8-6	22617-8
259-202702-6-8	259-202701-6-8	22617-6
259-202702-6-6	259-202701-6-6	22617-6
259-202702-4-4	259-202701-4-4	22617-4
PART NUMBER	① ADAPTER	② O'RING

LIST OF MATERIALS

ITEM NO.	MATERIAL	DRAWN L OWEN	CHECKED R D WEBB	APPROVED R D WEBB	RELEASE DATE 2001-04-09	EN-F21316	DP-1391	THIRD ANGLE PROJECTION	SIZE A2	DRAWING NUMBER 259-202702	REV M
① 1	AISI 316 STAINLESS STEEL										
2	NITRILE(BUNA-N)										

Danfoss FLUID CONVEYANCE DIVISION

DRAWING TITLE
ADAPTER
SAE 37' FLARE - STRAIGHT THREAD
CONNECTOR SHORT (SAE #070120)

SCALE NONE DIST U CAGE CODE 01276 SHEET 1

THE REPRODUCTION, DISTRIBUTION AND UTILIZATION OF THIS DOCUMENT, AS WELL AS THE COMMUNICATION OF ITS CONTENTS TO OTHERS WITHOUT EXPLICIT AUTHORIZATION IS PROHIBITED. OFFENDERS WILL BE HELD LIABLE FOR THE PAYMENT OF DAMAGES. ALL RIGHTS RESERVED IN THE EVENT OF THE GRANT OF A PATENT, UTILITY MODEL OR DESIGN. (PER ISO 18016)

1. DIMENSIONS ARE IN MILLIMETERS [INCHES].