

WEATHERHEAD PART NUMBER	AEROQUIP PART NUMBER	TH'D "P"	TH'D "T"	A REF	B REF	C REF	D REF
	259-2022-2-4	1/8-27	7/16-20	30.2 [1.19]	14 [.55]	9/16	4.3 [.17]
5267X4X4	259-2022-4-4	1/4-18	7/16-20	35.3 [1.39]	14 [.55]	3/4	4.3 [.17]
	259-2022-4-5	1/4-18	1/2-20	35.3 [1.39]	14 [.55]	3/4	5.8 [.23]
	259-2022-4-6	1/4-18	9/16-18	35.6 [1.40]	14.2 [.56]	3/4	7.6 [.30]
5267X6X6	259-2022-6-6	3/8-18	9/16-18	37.1 [1.46]	14.2 [.56]	7/8	7.6 [.30]
5267X8	259-2022-6-8	3/8-18	3/4-16	39.6 [1.56]	16.8 [.66]	7/8	9.9 [.39]
	259-2022-8-6	1/2-14	9/16-18	42.9 [1.69]	14.2 [.56]	1 1/8	7.6 [.30]
5267X8X8	259-2022-8-8	1/2-14	3/4-16	45.5 [1.79]	16.8 [.66]	1 1/8	9.9 [.39]
	259-2022-8-10	1/2-14	7/8-14	48 [1.89]	19.3 [.76]	1 1/8	12.2 [.48]
5267X12	259-2022-12-12	3/4-14	1 1/16-12	52.3 [2.06]	21.8 [.86]	1 3/8	15.5 [.61]
5267X16	259-2022-16-16	1-11 1/2	1 5/16-12	59.7 [2.35]	23.1 [.91]	1 5/8	21.3 [.84]
5267X20	259-2022-20-20	1 1/4- 11 1/2	1 5/8-12	63.2 [2.49]	24.4 [.96]	2	27.4 [1.08]
	259-2022-24-24	1 1/2-11 1/2	1 7/8-12	66.5 [2.62]	27.5 [1.08]	2 3/8	33.3 [1.31]

Ⓜ

Ⓜ

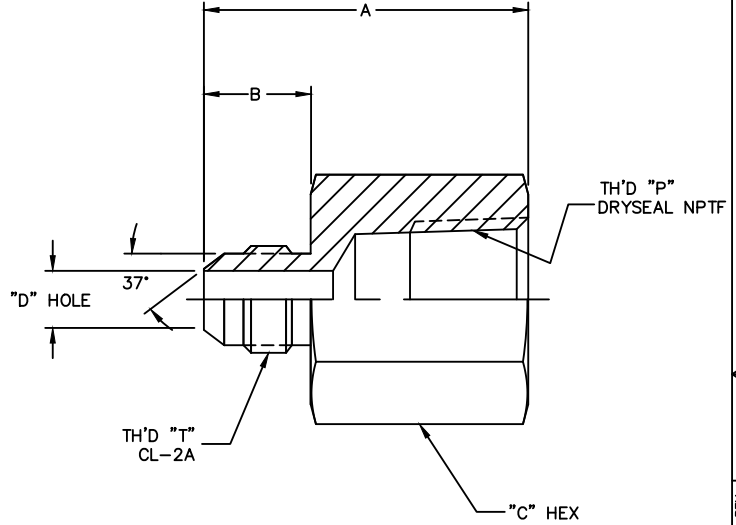
Ⓜ

Ⓜ

Ⓜ

Ⓜ

REVISIONS			
REV	DESCRIPTION	DATE	APPROVED
G	REDRAWN, UPDATED TO DANFOSS FORMAT. 1) ADDED WEATHERHEAD PART NUMBERS.	2010-09-03 AJC/AGV	0046356-ECO DP-1299
H	1) ADDED WEATHERHEAD PART NUMBERS.	2012-06-25 RDZ/PSW	0072380-ECO



DWG. NO. 259-2022

METRIC

- DIMENSIONS ARE IN MILLIMETERS [INCHES].
- MATERIAL: AISI 316 STAINLESS STEEL.

DRAWN A. CHAVAN		Danfoss FLUID CONVEYANCE DIVISION	
CHECKED A. VARANKAR			
APPROVED J. SNYDER		DRAWING TITLE ADAPTER	
RELEASE DATE 2010-09-03		SAE 37' FLARE - FEMALE CONNECTOR (SAE #070103)	
0046356-ECO		SIZE A2	DRAWING NUMBER 259-2022
DP-1299		REV H	
THIRD ANGLE PROJECTION		SCALE NONE	DIST U
		CAGE CODE 01276	SHEET 1
<small>THE REPRODUCTION, DISTRIBUTION AND UTILIZATION OF THIS DOCUMENT AS WELL AS THE COMMUNICATION OF ITS CONTENTS TO OTHERS WITHOUT EXPLICIT AUTHORIZATION IS PROHIBITED. OFFENDERS WILL BE HELD LIABLE FOR THE PAYMENT OF DAMAGES. ALL RIGHT RESERVED IN THE EVENT OF THE GRANT OF A PATENT, UTILITY MODEL OR DESIGN. (PER ISO 16016)</small>			