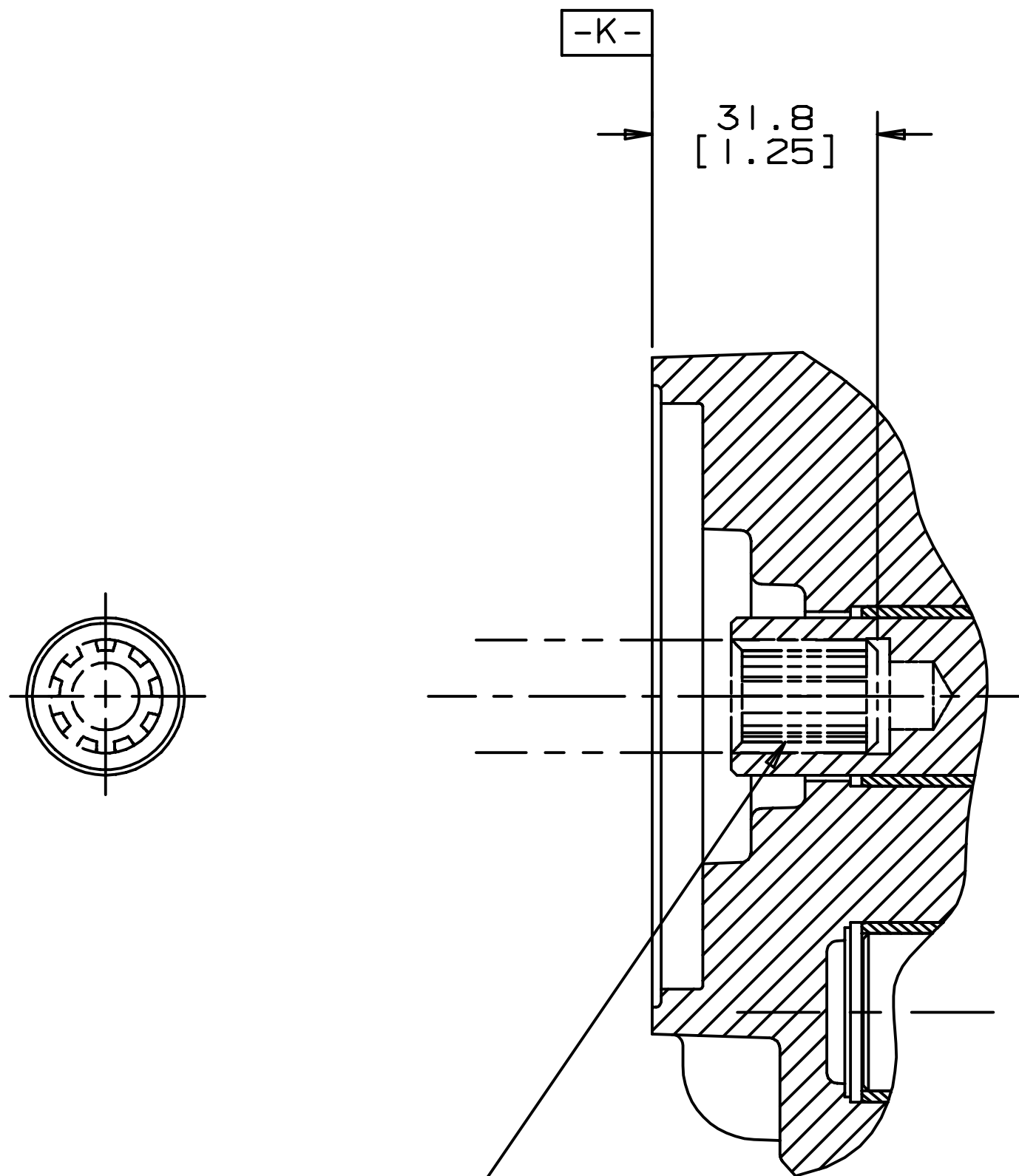
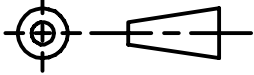


SYM	REVISION	BY	DATE	ECN
A	ENGINEERING RELEASE	MAS	4/8/92	21480



9 TOOTH 16/32 DP 30°
INVLT FLAT ROOT CLASS I
SIDE FIT SPLINE

G HK

UNLESS OTHERWISE SPECIFIED ALL DIMENSIONS ARE IN INCHES <input type="checkbox"/> MILLIMETERS <input checked="" type="checkbox"/>	DRAWING BASED ON ANSI Y14.5M-1982	
	THE REPRODUCTION, DISTRIBUTION, AND UTILIZATION OF THIS DOCUMENT, AS WELL AS THE COMMUNICATION OF ITS CONTENTS TO OTHERS WITHOUT EXPLICIT AUTHORIZATION IS PROHIBITED. OFFENDERS WILL BE HELD LIABLE FOR THE PAYMENT OF DAMAGES. ALL RIGHTS RESERVED IN THE EVENT OF THE GRANT OF A PATENT, UTILITY MODEL, OR DESIGN. (PER ISO 16016)	
TOLERANCES .X ± .XX ± REF ONLY .XXX ± ONLY < ±	DRAWN BY/DATE M. STOICK 1/17/92 CHECKED BY/DATE	MATERIAL/HEAT TREAT
UNSPECIFIED RADII ARE _____ UNSPECIFIED DRAFT ANGLES ARE _____	ENGRG BY/DATE METALLURGY BY/DATE	TITLE SHAFT INSTALLATION
DRAWING FORMAT CADD <input checked="" type="checkbox"/> MANUAL <input type="checkbox"/>	 THIRD ANGLE PROJECTION	NUMBER A-579-002
	DO NOT SCALE	SCALE 1/1 SHEET 1 OF 1