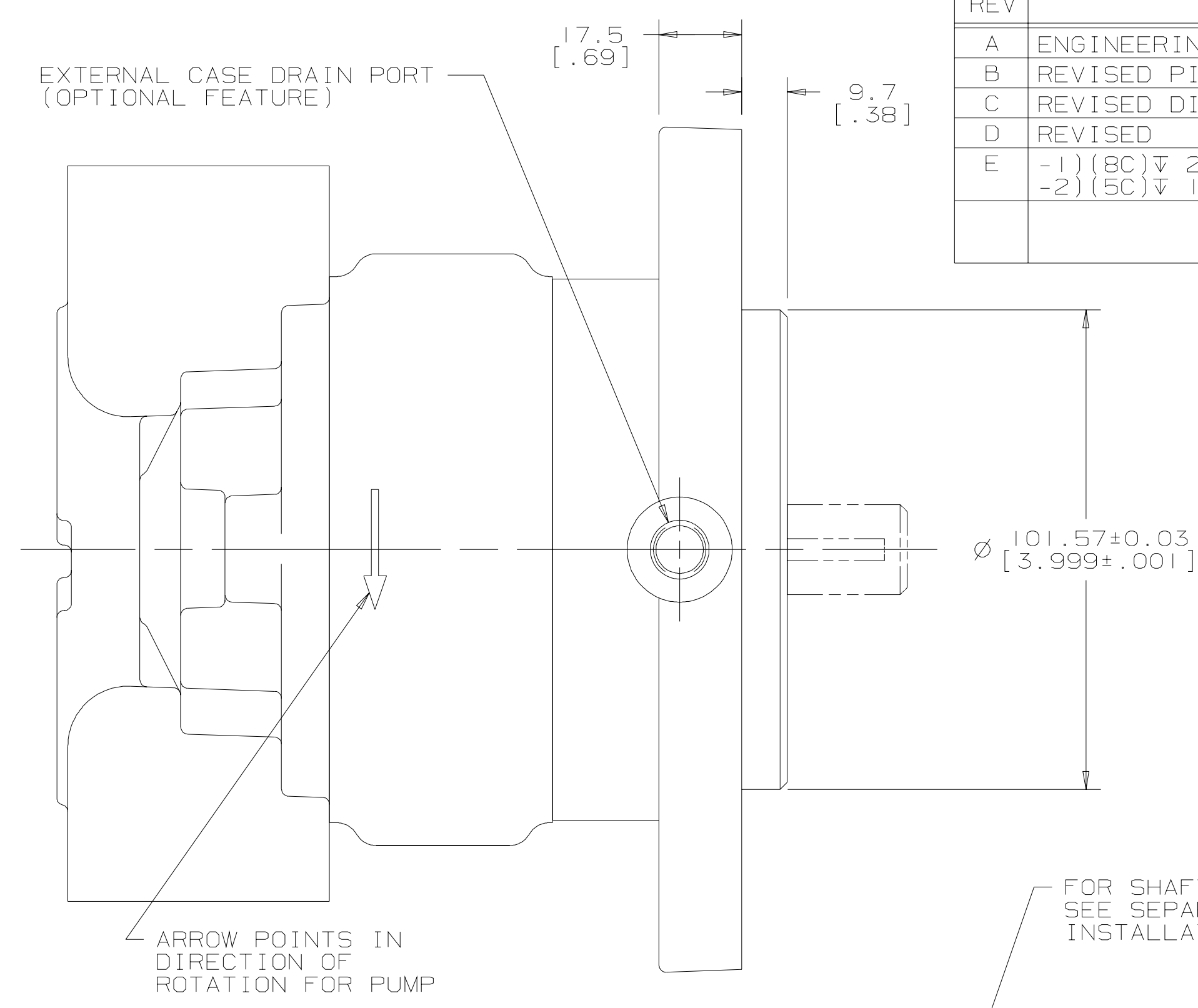
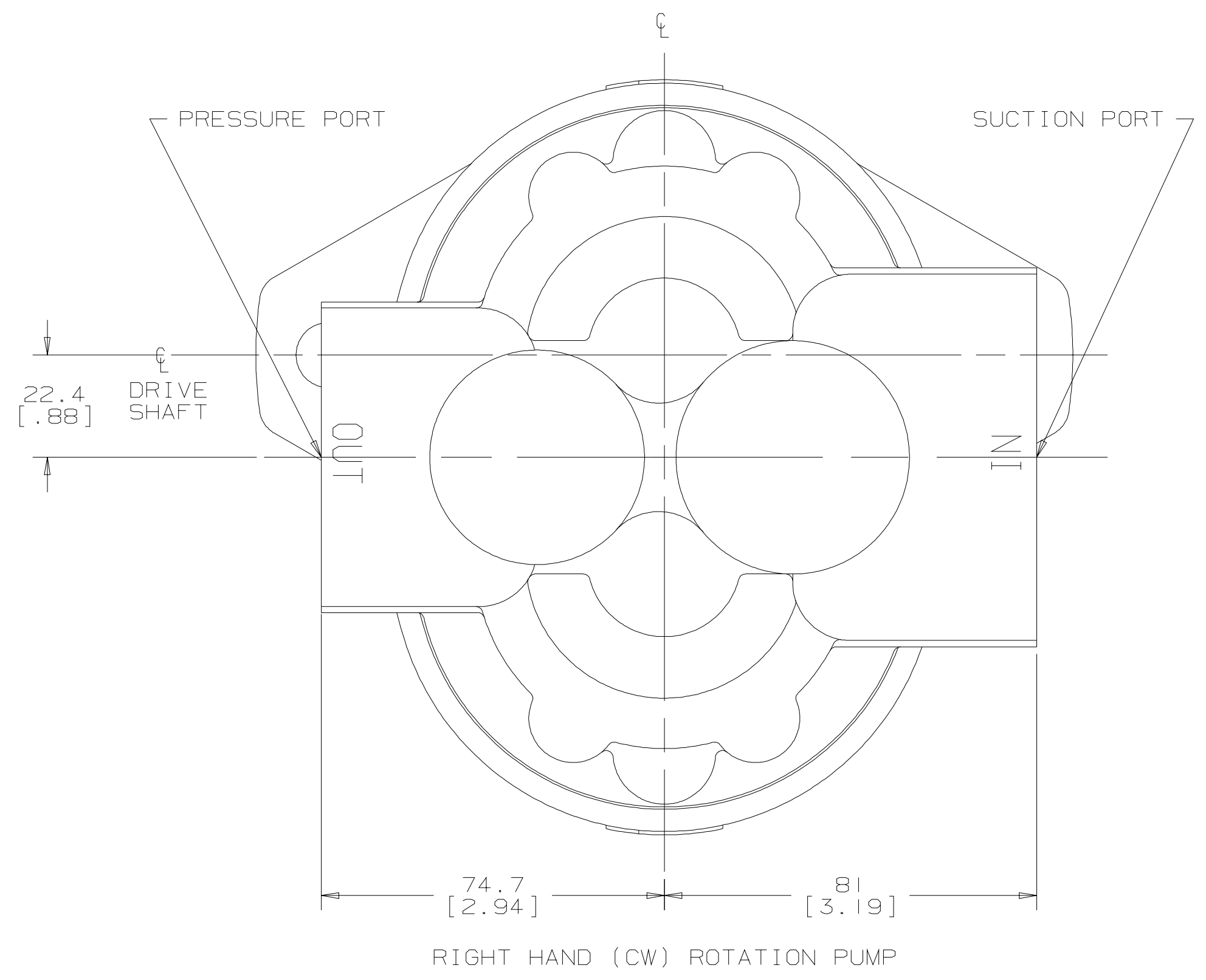
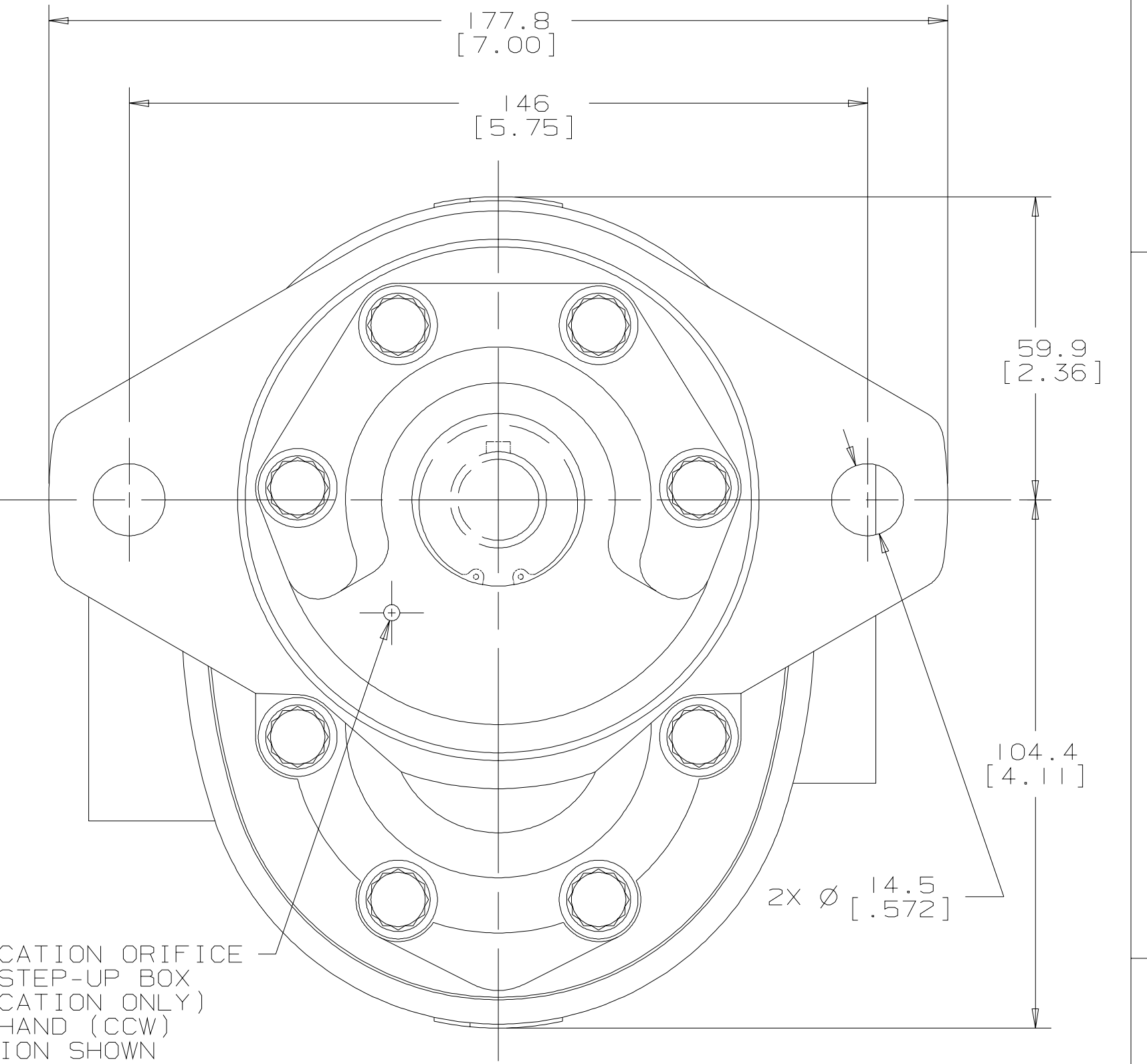
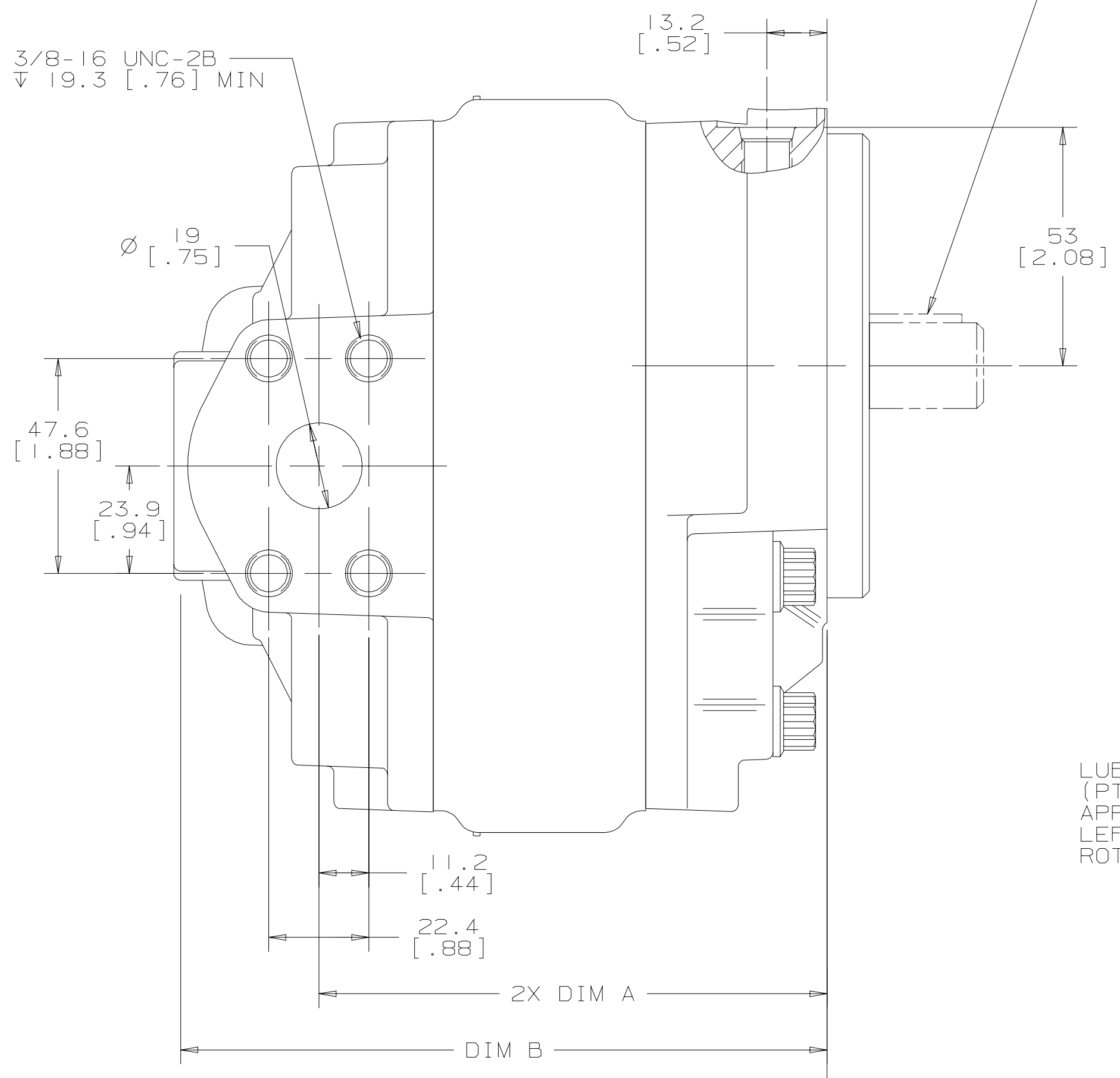
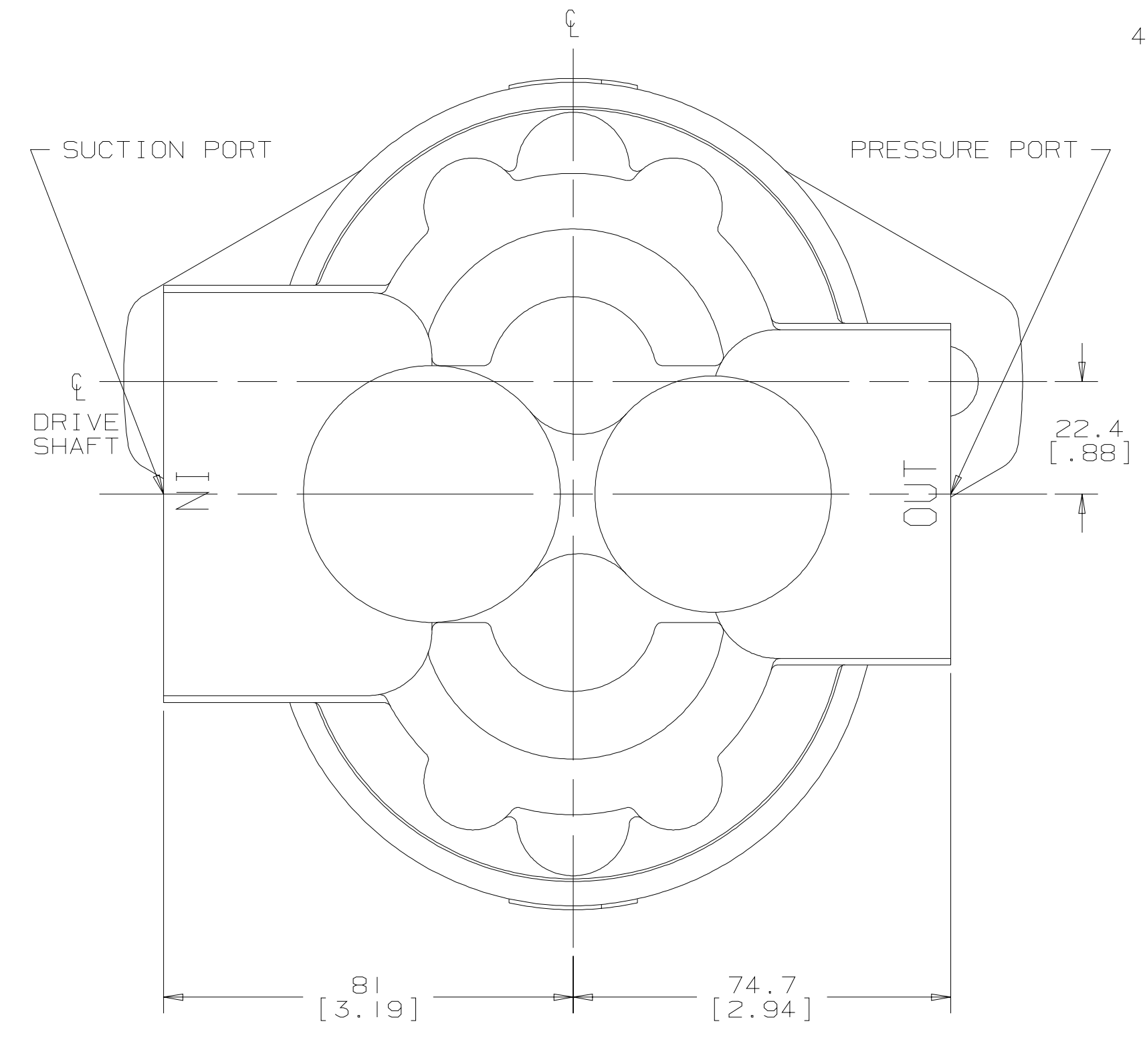
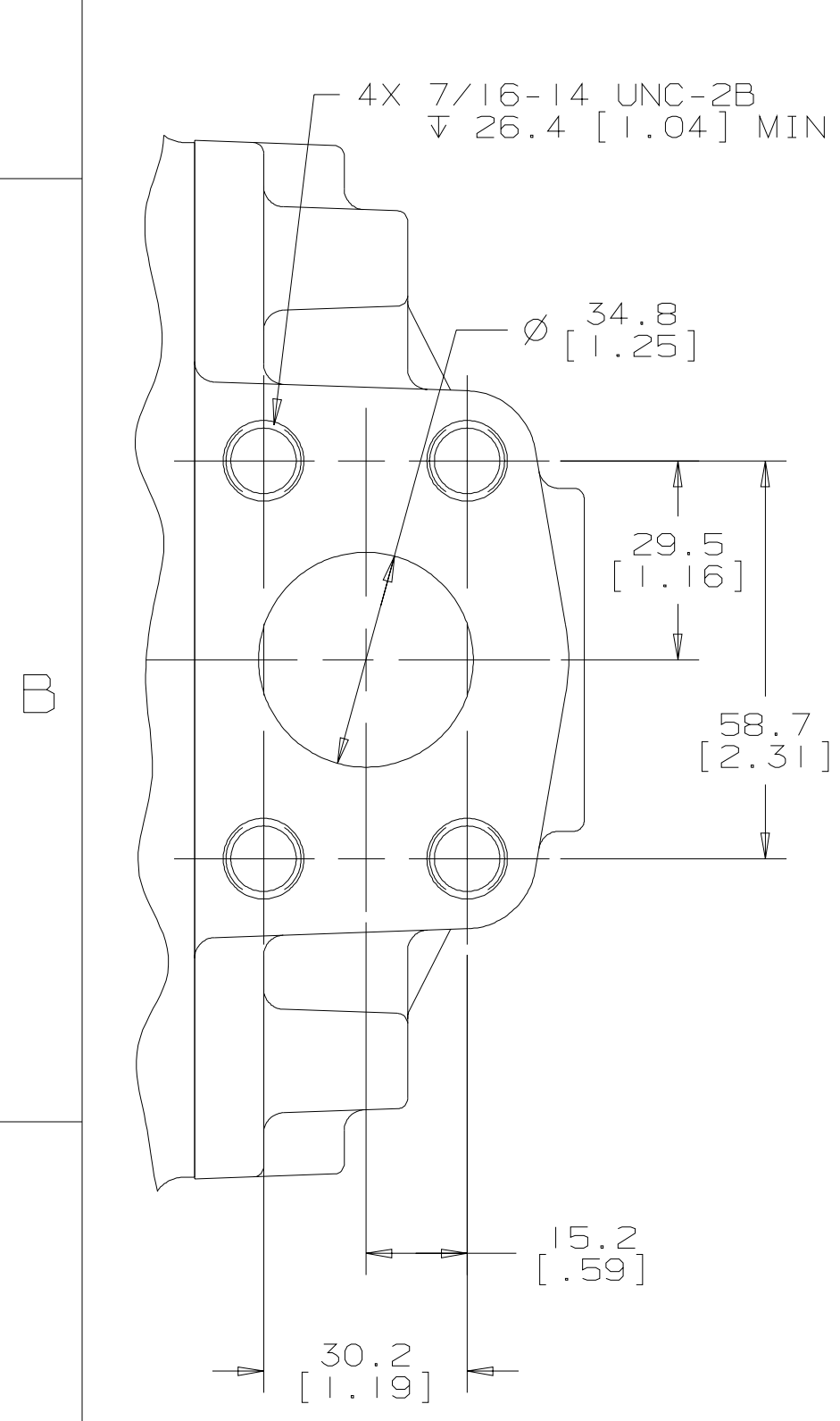


| REV | DESCRIPTION  | BY   | CHK | DATE     | ECN    |
|-----|--|------|-----|----------|--------|
| A   | ENGINEERING RELEASE  | I JH | CMJ | 4-8-92   | 21480  |
| B   | REVISED PICTORIALY   | MAS  | CMJ | 8-14-92  | 22676  |
| C   | REVISED DIM A AND DIM B IN TAB BLOCK   | MLL  | LMD | 2-27-98  | M19266 |
| D   | REVISED  | CEW  | CEW | 12-15-04 | M63509 |
| E   | -1) (8C) $\nabla$ 26.4 [1.04] MIN WAS $\nabla$ 27.7 [1.09] MIN<br>-2) (5C) $\nabla$ 19.3 [.76] MIN WAS $\nabla$ 21.6 [.85] MIN | CEW  | CEW | 3-23-05  | 51195  |

| DISPLACEMENT                                      | DIM A |        | DIM B |        |
|---|-------|--------|-------|--------|
|   | mm    | in     | mm    | in     |
| 21.3 cm <sup>3</sup> /r [1.30 in <sup>3</sup> /r] | 85.1  | [3.35] | 117.4 | [4.62] |
| 25.4 cm <sup>3</sup> /r [1.55 in <sup>3</sup> /r] | 88.5  | [3.49] | 120.9 | [4.76] |
| 29.2 cm <sup>3</sup> /r [1.78 in <sup>3</sup> /r] | 92    | [3.62] | 124.3 | [4.89] |
| 33.6 cm <sup>3</sup> /r [2.05 in <sup>3</sup> /r] | 95.4  | [3.76] | 127.8 | [5.03] |
| 38.2 cm <sup>3</sup> /r [2.33 in <sup>3</sup> /r] | 98.9  | [3.89] | 131.2 | [5.17] |
| 42.8 cm <sup>3</sup> /r [2.61 in <sup>3</sup> /r] | 102.3 | [4.03] | 134.7 | [5.30] |
| 46.7 cm <sup>3</sup> /r [2.85 in <sup>3</sup> /r] | 105.8 | [4.17] | 138.1 | [5.44] |
| 51.1 cm <sup>3</sup> /r [3.12 in <sup>3</sup> /r] | 109.3 | [4.30] | 141.6 | [5.57] |
| 55.2 cm <sup>3</sup> /r [3.37 in <sup>3</sup> /r] | 112.7 | [4.44] | 145   | [5.71] |



FOR SHAFT CONFIGURATION  
SEE SEPARATE SHAFT  
INSTALLATION DRAWING



|   |   |   |              |
|---|---|---|--------------|
| UNLESS OTHERWISE SPECIFIED ALL DIMENSIONS ARE IN  |   | DRAWING BASED ON ANSI Y14.5M-1982   |              |
| INCHES <input type="checkbox"/>   | MILLIMETERS <input checked="" type="checkbox"/> | THE REPRODUCTION, DISTRIBUTION, AND UTILIZATION OF THIS DOCUMENT, AS WELL AS THE COMMUNICATION OF ITS CONTENTS TO OTHERS WITHOUT EXPLICIT AUTHORIZATION IS PROHIBITED. OFFENDERS WILL BE HELD LIABLE FOR THE PAYMENT OF DAMAGES. ALL RIGHTS RESERVED IN THE EVENT OF THE GRANT OF A PATENT, UTILITY MODEL, OR DESIGN. (PER ISO 16016) |              |
| TOLERANCES  |   |   |              |
| .xx +REF  | DRAIN BY/DATE IJH 10-29-91                      |   |              |
| .xxx +ONLY  | CHECKED CMJ 5-22-92                             | MATERIAL/HEAT TREAT   |              |
| UNSPECIFIED RADII ARE   | ENGRS BY/DATE JCW 6-29-92                       | TITLE   |              |
| UNSPECIFIED DRAFT ANGLES ARE  | METALLURGY --- BY/DATE                          | GEAR PUMP INSTALLATION  |              |
| DRAWING FORMAT CADD <input checked="" type="checkbox"/> MANUAL <input type="checkbox"/> | THIRD ANGLE PROJECTION                          | MICROINCHES (MICROINCHES) <input type="checkbox"/>  | NUMBER       |
|   | DO NOT SCALE                                    | ARITHMETICAL AVERAGE  | A-481-000    |
|   |   | SCALE 1/1   | SHEET 1 OF 1 |