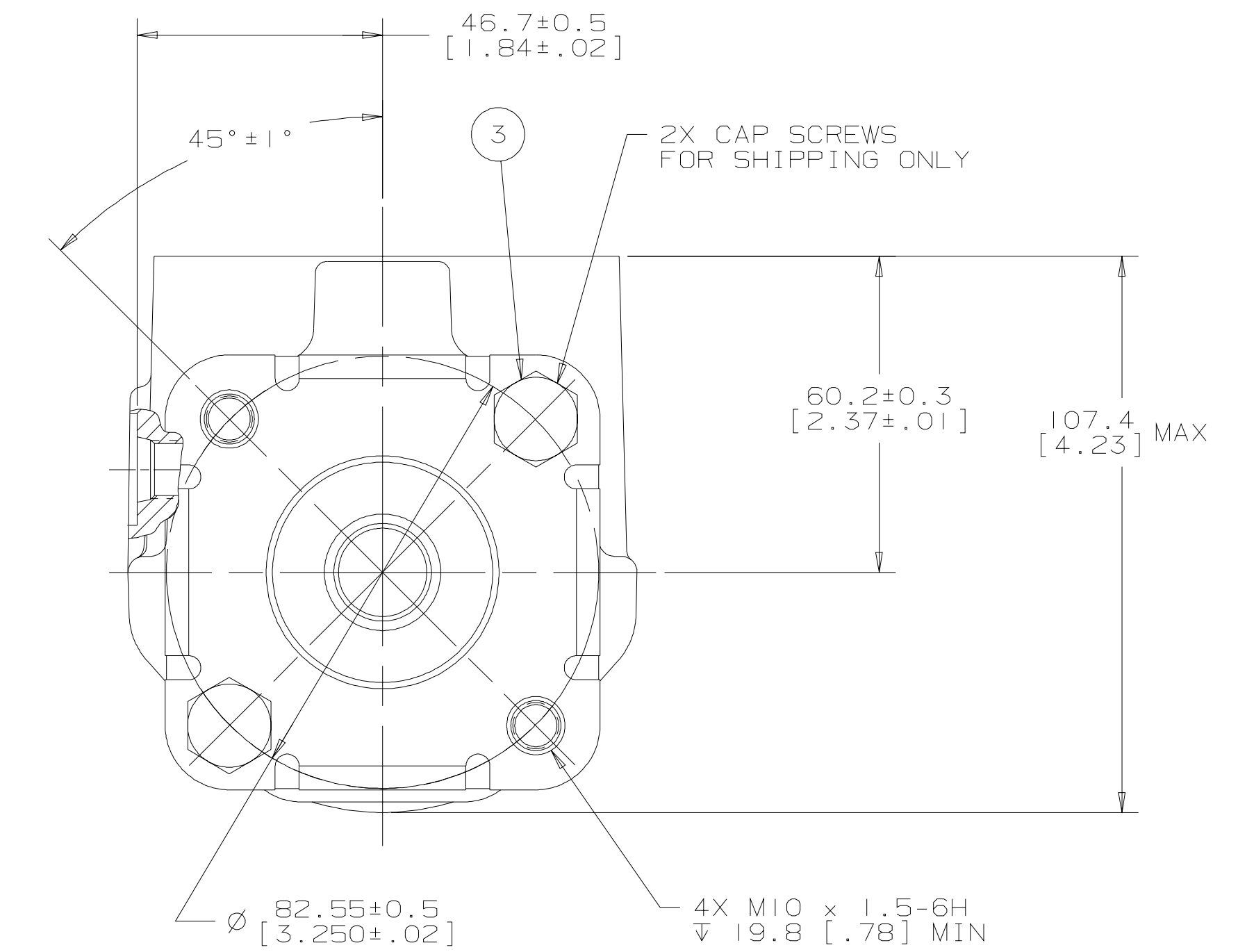
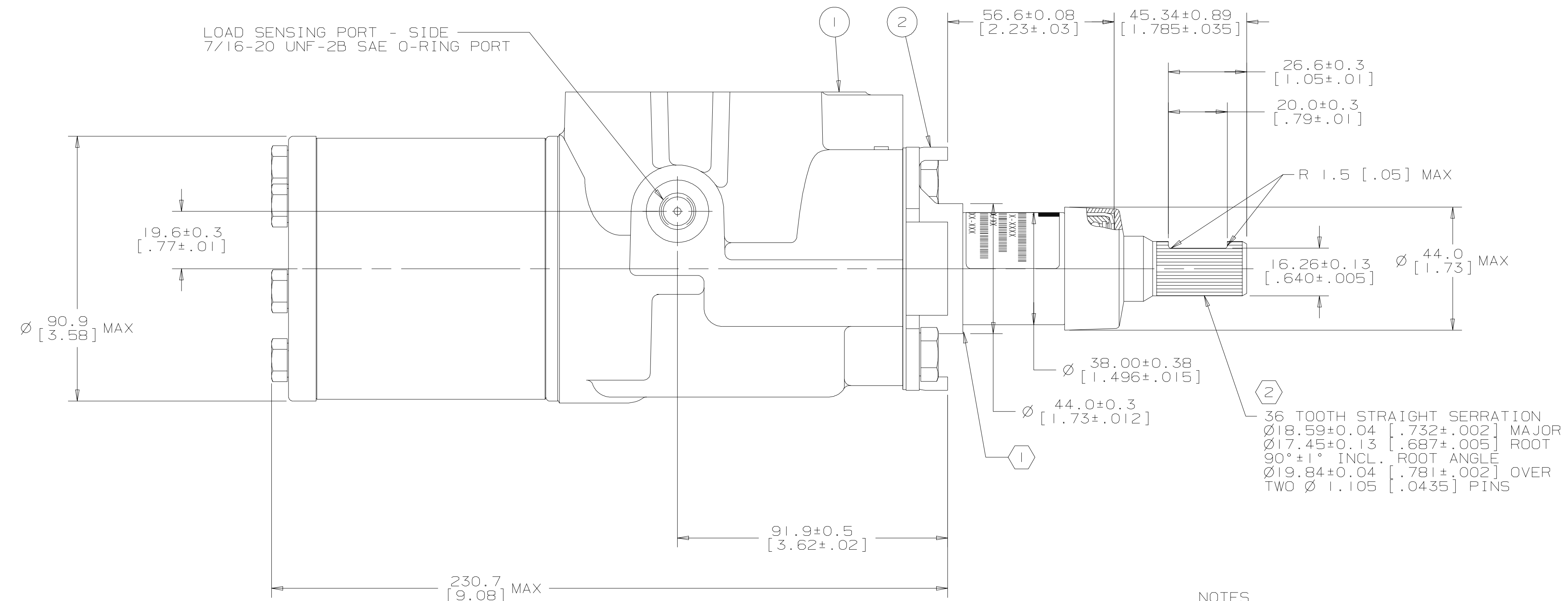
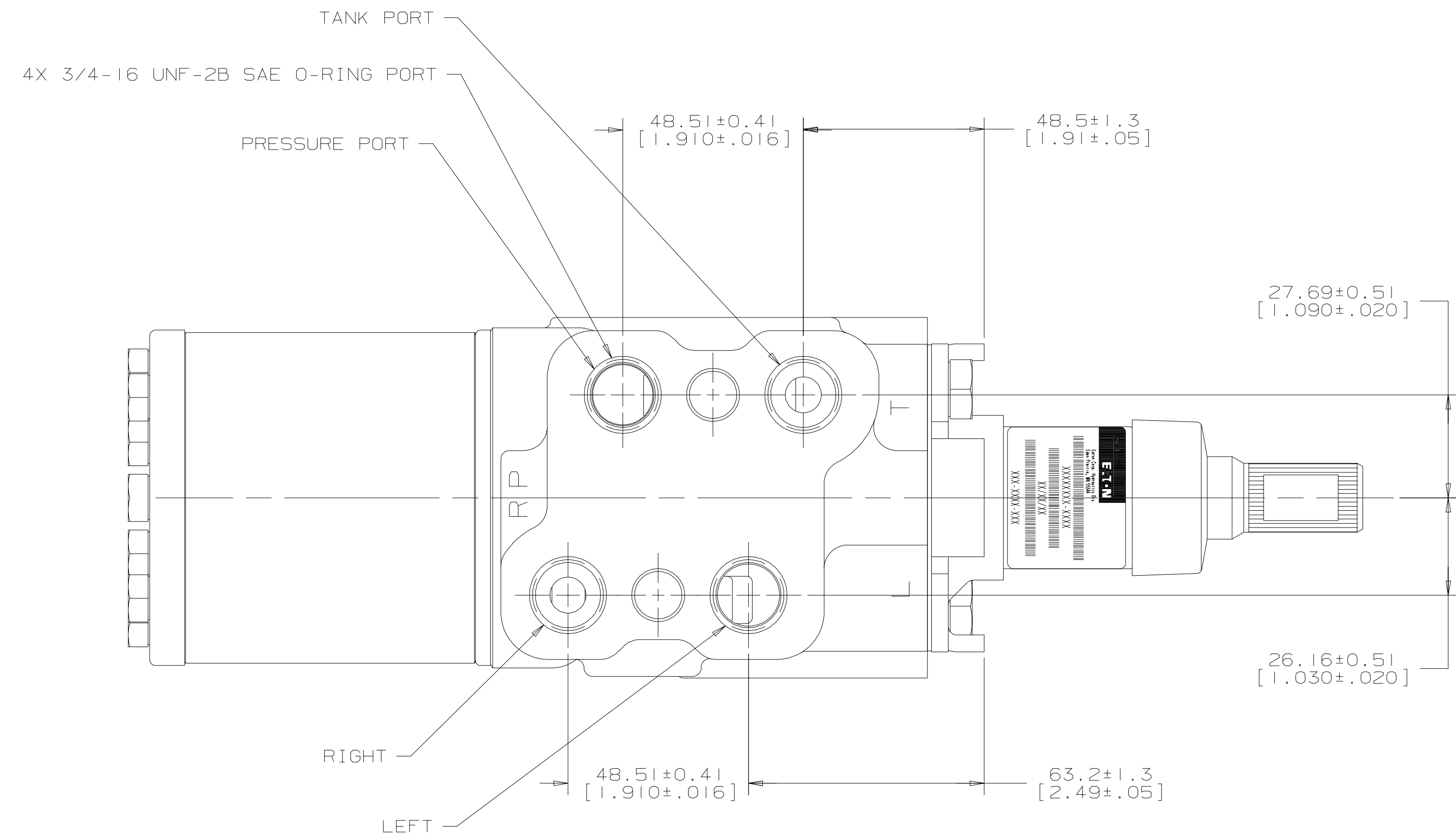


REV	DESCRIPTION	BY	CHK	DATE	ECN
A	ENGINEERING RELEASE	AH	AH	8/08/03	44671



- NOTES
- ① RATED BENDING MOMENT CALCULATED ABOUT POINT INDICATED OR ABOUT CENTERLINE OF UPPER COLUMN SUPPORT IS 136 N·m [100 lb·ft]. LEVER ARM FOR THIS CALCULATION SHALL BE THE DISTANCE FROM POINT INDICATED TO CENTERLINE OF RADIAL LOAD COLUMNS LONGER THAN 161.8 [6.37] REQUIRE UPPER COLUMN SUPPORT IF A RADIAL LOAD AT STEERING WHEEL RIM IS EXPECTED TO EXCEED 900 N [203 lb·f]
 - ② DIMENSIONS INDICATED APPLY PRIOR TO PHOSPHATE COATING
 - 3 RATED STEERING SHAFT TORQUE IS 81 N·m [60 lb·ft]

UNLESS OTHERWISE SPECIFIED ALL DIMENSIONS ARE IN		DRAWING BASED ON ANSI Y14.5M-1982	
INCHES	<input type="checkbox"/>	NOTICE TO PERSONS RECEIVING THIS DRAWING AND / OR TECHNICAL INFORMATION	
MILLIMETERS (INCHES)	<input checked="" type="checkbox"/>	Eaton Corporation claims proprietary rights in the information disclosed herein. This document is issued in confidence and is not to be reproduced or used to manufacture anything shown hereon without the written permission of the Eaton Corporation.	
TOLERANCES		EATON Eaton Corporation Hydraulic Division 15151 Highway 5 Eden Prairie, Mn. 55344	
.x	----	DRAWN BY/DATE AH 11/20/03	MATERIAL/HEAT TREAT
.xx	----	CHECKED AH 11/20/03	
.xxx	----	ENGRD. BY/DATE AK 11/21/03	TITLE
<	----	METALLURGY	STEERING CONTROL UNIT AND COLUMN INSTALLATION
UNSPECIFIED RADII ARE	----	NUMBER	236-3011-003
UNSPECIFIED DRAFT ANGLES ARE	----	SCALE	1/1
DRAWING FORMAT CADD <input checked="" type="checkbox"/> MANUAL <input type="checkbox"/>	THIRD ANGLE PROJECTION	ARTHEMATICAL AVERAGE	SHEET 1 OF 1