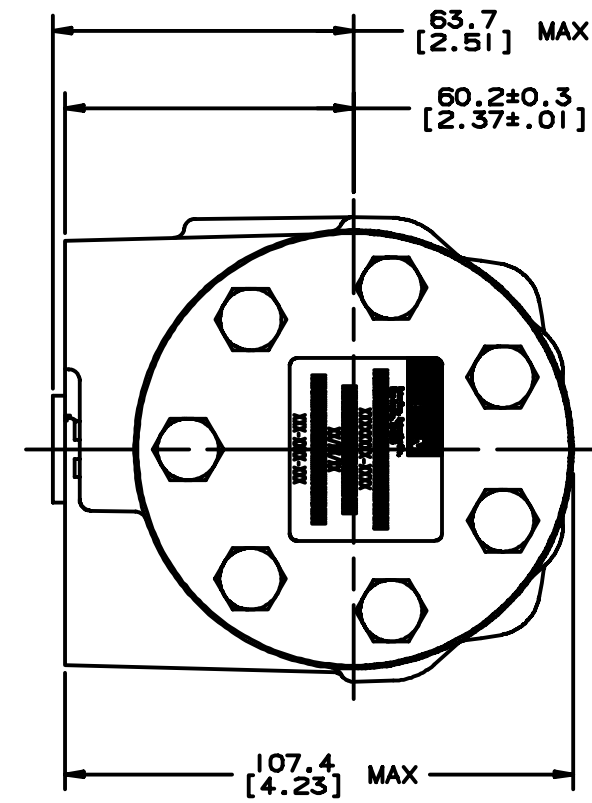
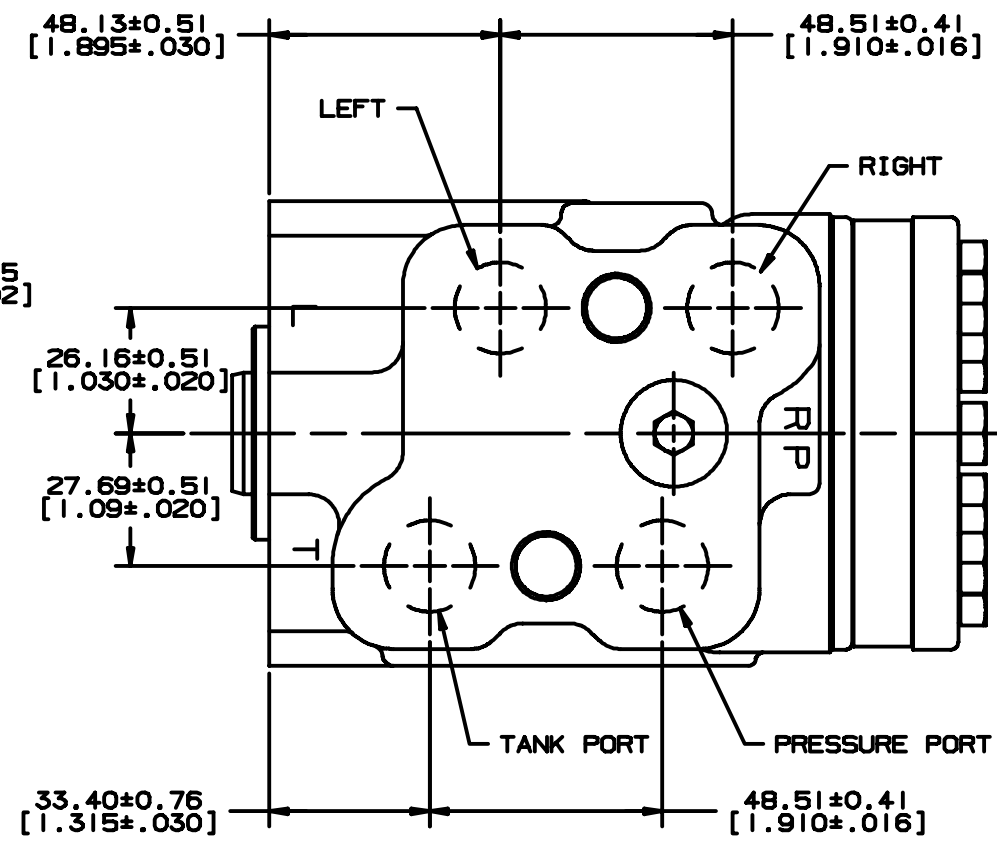
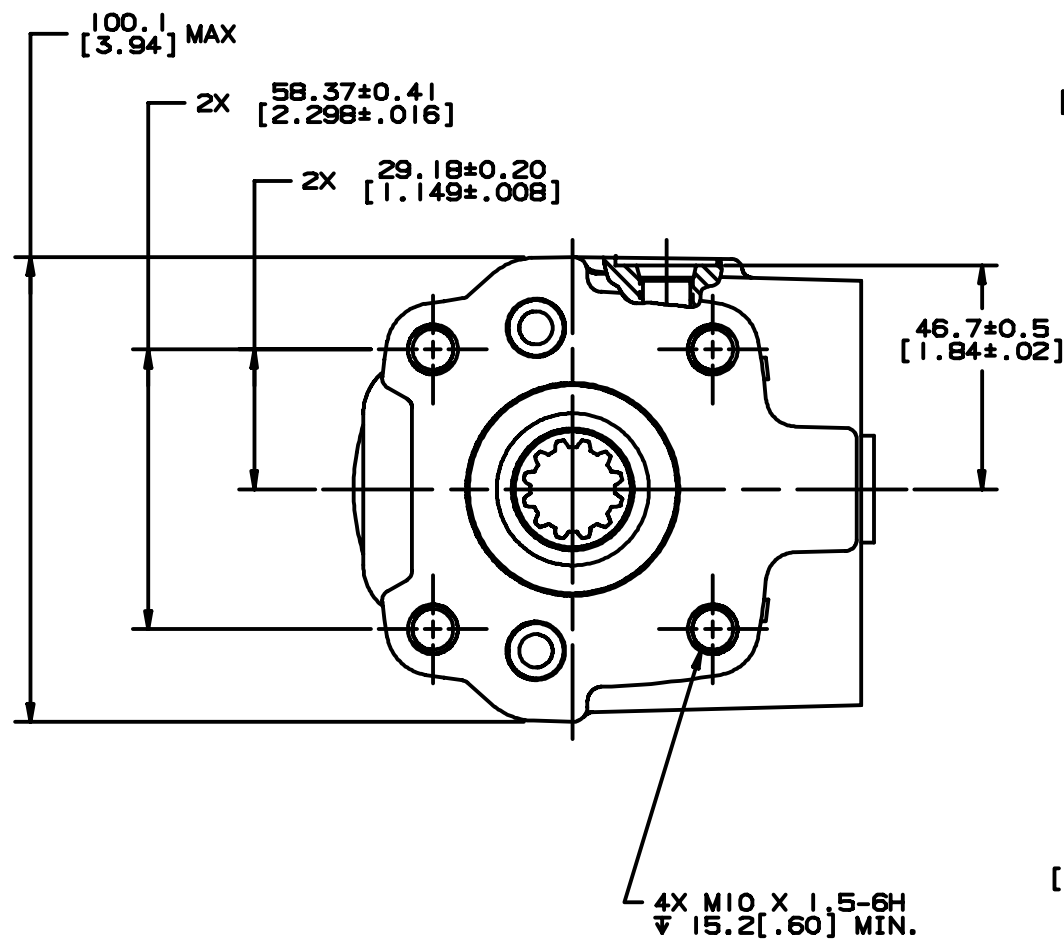
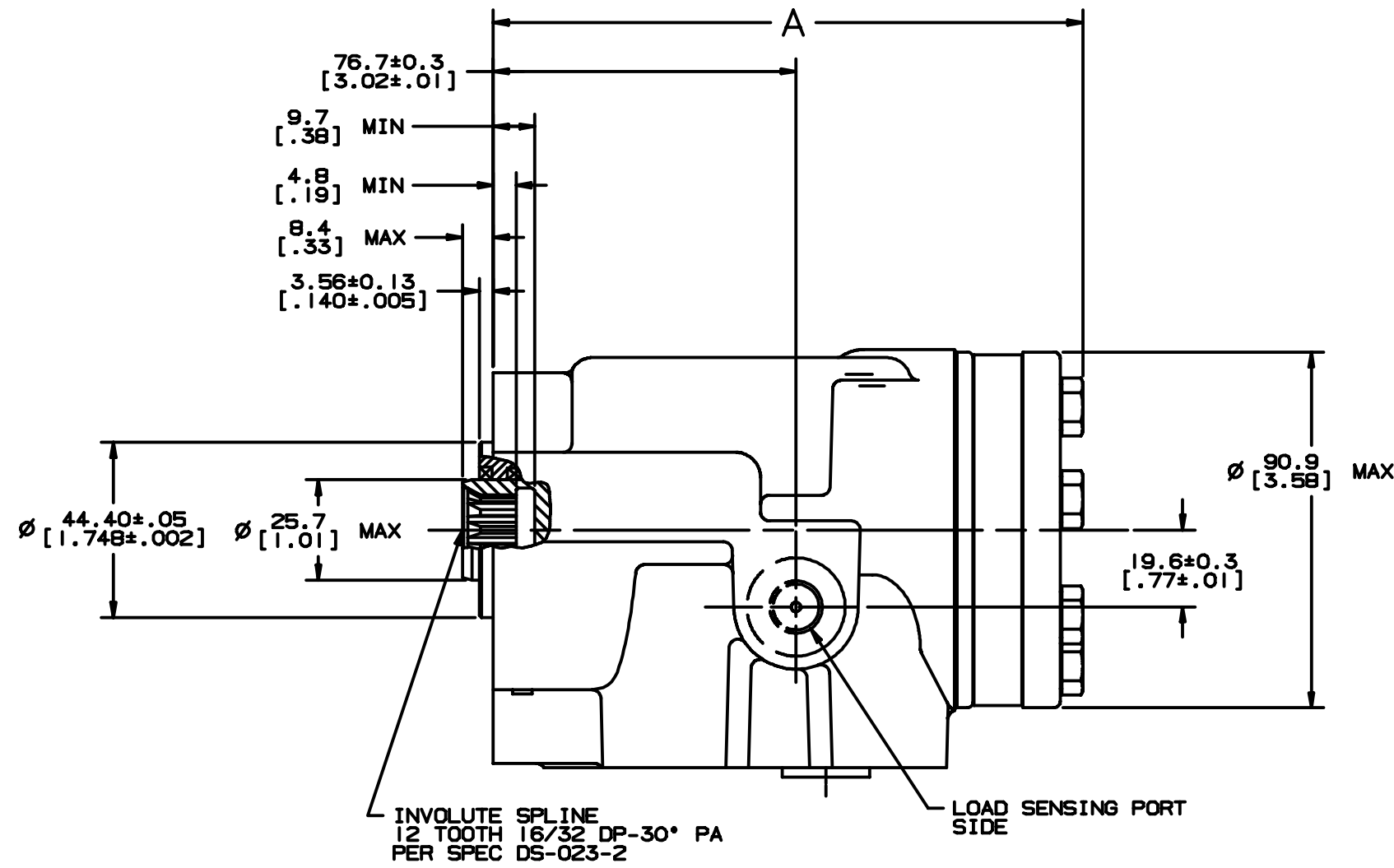


DISPLACEMENT		A MAX	
CODE	cm <sup>3</sup> /r [in <sup>3</sup> /r]		
40	58.7 [3.58]	143.3 [5.64]	
43	73.8 [4.90]	144.9 [5.71]	
45	96.0 [5.86]	147.2 [5.80]	
48	120 [7.33]	149.8 [5.90]	
50	146 [8.90]	152.5 [6.01]	
51	159 [9.73]	153.9 [6.06]	
52	185 [11.3]	156.6 [6.17]	
54	231 [14.1]	161.5 [6.36]	
57	293 [17.9]	168.1 [6.62]	
59	370 [22.6]	176.2 [6.94]	
61	462 [28.2]	185.9 [7.32]	
64	588 [35.9]	199.3 [7.85]	
66	739 [45.1]	215.2 [8.48]	
69	983 [60.0]	241.0 [9.49]	

SYM	REVISION	BY	DATE	ECN
A	ENGINEERING RELEASE	BRO	11-17-97	M18693
B	(8B) 100.1 [3.94] MAX WAS 98.3 [3.87] MAX	LMD	4-15-98	32701
C	(3B) ADDED NEW NAMEPLATE	LMD	5-4-98	32543



G M R

UNLESS OTHERWISE SPECIFIED DIMENSIONS ARE IN MILLIMETERS (INCHES)	DRAWING BASED ON ANSI Y14.5M-1982	
TOLERANCES	NOTICE TO PERSONS RECEIVING THIS DRAWING AND / OR TECHNICAL INFORMATION	
.XX A----	Eaton Corporation claims proprietary rights in the information disclosed herein. This document is issued in confidence and is not to be reproduced or used to manufacture anything shown herein without the written permission of the Eaton Corporation.	
.XXX A----	DATE BRO 2-27-98	MATERIAL/HWY TREAT
UNSPECIFIED HOLE ARE	DATE KO 3-30-98	
UNSPECIFIED DRAFT ANGLES ARE	DATE MI 4-2-98	FILE
DRAWING FORMALLY USED IN MANUAL C	THIRD ANGLE PROJECTION	SERIES 20 STEERING CONTROL UNIT INSTALLATION
	DO NOT SCALE	NUMBER
		A-647-006
		SCALE 1/1
		SHEET 1 OF 1